

R RENOWNED
KNOW-HOW
Automation Technology



RK ROSE+KRIEGER

A Phoenix Mecano Company



Profile Technology
BLOCAN®

How to use this catalogue

Depending on your level of experience, we suggest you proceed as follows:

If you are new to profile technology

Please use our selection guide from page 9 onwards.
We will guide you to the right product for your particular application.

If you know all about profile technology

You will know exactly what you require and can go straight to the right product category, where you will find a product overview on the first page.

Specific search

If you are looking for a specific product, we suggest you start in our index on the last pages of this catalogue.

If you have any questions, do not hesitate to contact one of our product consultants.



Introduction

- About us
 - Service
 - Our products
 - Level of service
- from page 4

Profile Technology selection guide

from page 9

- High-calibre combinations
(What is Profile Technology?)
- Three steps to your recommended product
(How do I find the right product?)

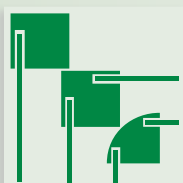


Structural profiles

from page 22

With slots on all sides

- Stable, versatile structures



Functional profiles

from page 164

Visible, frame, special profiles

- Added visual and functional value



Heavy duty profiles

from page 356

- Heavy loads with maximum stability

Protection and partitioning system

from page 388

RK Easywork

from page 440

- Assembly workstation system

Appendix

from page 454

- Tools
- Application examples
- Fax enquiry
- Index

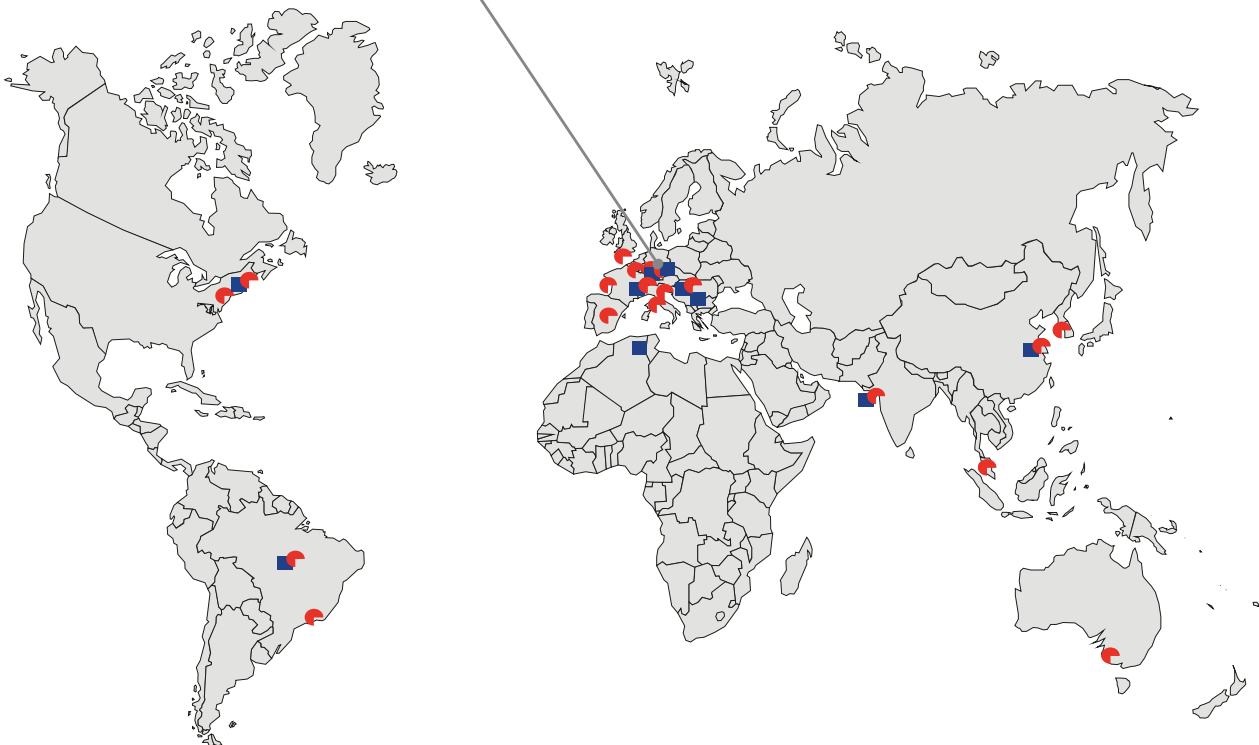
About us

As a subsidiary of the global Phoenix Mecano AG, we offer an unrivalled range of products in the field of linear, profile, connecting and module technology. With decades of experience and expertise in a huge range of industrial applications, you need look no further for a highly competent partner. From the first point of contact through to delivery, we focus entirely on your requirements. Individual advice and short delivery periods are two central priorities of our customer-focused corporate philosophy. We want our customers to share in our success and look forward to being your strategic partner.



Head Office: Germany, Minden / Westph.

- ✓ Company sales representatives
- ✓ Distributors and system partners



Available around the globe.

- ✓ Profit Centre within Phoenix Mecano
- ✓ Sales and system partners

■ = Production facilities

● = Distribution companies



RK ROSE+KRIEGER

A Phoenix Mecano Company

Our product ranges

LINEAR TECHNOLOGY

- ✓ Linear axes
- ✓ Manual guide units
- ✓ Electric cylinders
- ✓ Lifting columns
- ✓ We can move loads for you of up to 3 t and 12 m dynamically, reliably and with great precision

Movement and positioning



CONNECTING TECHNOLOGY

- ✓ Fittings for the secure clamp connection of round and square tubes
- ✓ Elements made of aluminium, stainless steel and plastic
- ✓ Sizes from 8 mm to 80 mm

Clamp and release solutions



PROFILE TECHNOLOGY

- ✓ The tried and tested BLOCAN® aluminium assembly system, with profiles offering cross-sections from 15 mm to 320 mm, for a broad spectrum of applications
- ✓ Connecting technology with an unsurpassed combination of flexibility and reliability

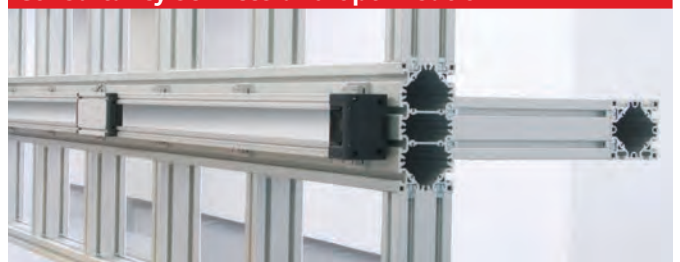
Mix'n'match



MODULE TECHNOLOGY

- ✓ We develop, manufacture and assemble
- ✓ Machine frames
- ✓ Workstations
- ✓ Machine guards
- ✓ Multidimensional linear axis modules
- ✓ Complete drive solutions

Consultancy services and optimisation



What we can do for you

We help you make the right choice:

CAD component library

To help you design your products, we give you free access to the component data stored in our Rose+Krieger component library (drawings, technical descriptions), where you can choose between around 60 different file formats (2D/3D). The link to our component server can be found on our web site at: www.rk-rose-krieger.com/deutsch/service/cad-daten.html



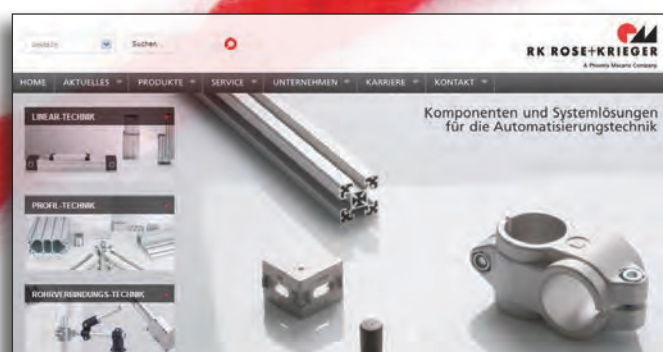
In-house RK product consultancy

The RKinfovan – our showroom on your doorstep. With more than 20 presentation boards containing exhibits and functional samples and a range of applications from the world of drive and linear technology, our infovan provides a complete cross-section of the RK products currently available. Our Key Account managers and sales consultants are happy to visit you on site and help you draw up practical solutions.



RK website: www.rk-rose-krieger.com

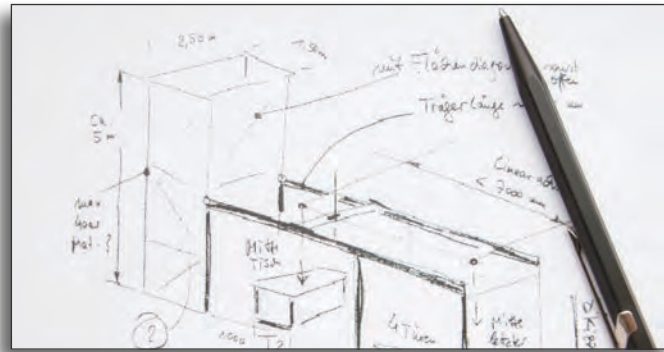
At our website you will find a wealth of information on our company and our products. You will also find the details of company contacts in your area and the latest catalogues (PDF format) available to download.





If you want to focus your resources on other tasks and are looking for an expert partner you can rely on, our specialists will work closely with you to develop tailor-made solutions. If you wish, we can also assemble and commission the units on site.

You make a sketch of your requirements.



Our product specialists will develop a solution for you.



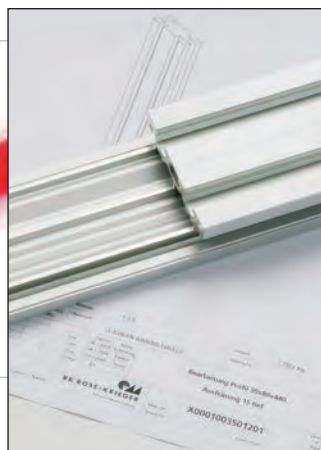
We can deliver your turnkey solution or assemble and commission it for you on site.



Level of service

You decide...

100%



Different models, modified standards

Our expertise at your fingertips. Our expert consultants can recommend the optimum products modified to your requirements.



Customised developments

Are you looking for something completely new? Then we will team up with you to develop it.



Modules and systems

You require your skills and time for other tasks and are looking for a partner you can rely on.

Catalogue items

If you know what you want and take the time to browse our catalogue, you are sure to find what you're looking for in our standard range.

...what level of service you require

0%

We offer

- ✓ A broad range of compatible products
- ✓ 40 years of experience in numerous industries
- ✓ Expert advice for all your requirements
- ✓ Quality – because we deliver what we promise





Contents

What is Profile Technology.....	p. 10
How to find the right product ...	p. 11
The RK profile circle	p. 12
Structural profiles	p. 14
Functional profiles	p. 16
Heavy duty profiles	p. 18
Protection and partitioning system.....	p. 20
RK Easywork assembly workstation system	p. 21

Selection guide

High-calibre combinations

The true calibre of a profile is characterised not by the profile itself but in the connection of the profiles to one another. Our years of application experience have enabled us to develop an industrial aluminium profile system that leaves almost nothing to be desired. Boundless creativity, maximum flexibility and proven reliability offer a broad spectrum of possible solutions for the task in question. You can utilise all the benefits of our system – in particular the option for connection of profiles without the need for mechanical machin-

ing. A system is the sum of all its parts, and a successful system is based on strong individual parts.

And to help you select the most suitable range of products for your requirements quickly and easily, we have developed a system that is strictly task-oriented. Within the selected range, you can then determine the ideal size and model based on your performance requirements.

And if you need any further help, we are only too happy to assist.

No need for drill holes...



these are held together without!



How to find the right product

The three steps to your product recommendation

Step 1:



Your application takes centre stage

- Stable, versatile structures
- Added visual and functional value
- Heavy loads with maximum stability

Step 2:



Which dimension do you need?

- Stability
- Section modulus
- Mass optimization

Step 3:

Which function do you need?

- Configuration (square, rectangular, rounded, angular)
- Number of slots
- Easy assembling
- Additional functions: visible design or frame profiles

...follow our system and the terms are self explanatory.

The RK profile circle



Stable versatile structures

Features:

- ✓ Fixing slots on all sides
- ✓ Unlimited applications
- ✓ Minimal design effort
- ✓ Cost optimisation



Structural profiles

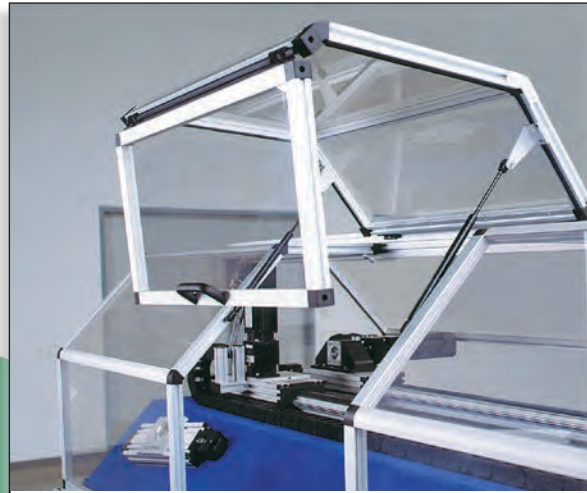
continued on page 14

Your app
takes cent



Functional profiles

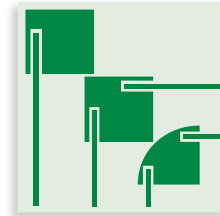
continued on page 16



Additional visual and functional benefit

Features:

- ✓ Attractive design
- ✓ Many additional functions
- ✓ Flexible



lication
re stage

Heavy Duty profiles

continued on page 18



Heavy duty with highest stability

Features:

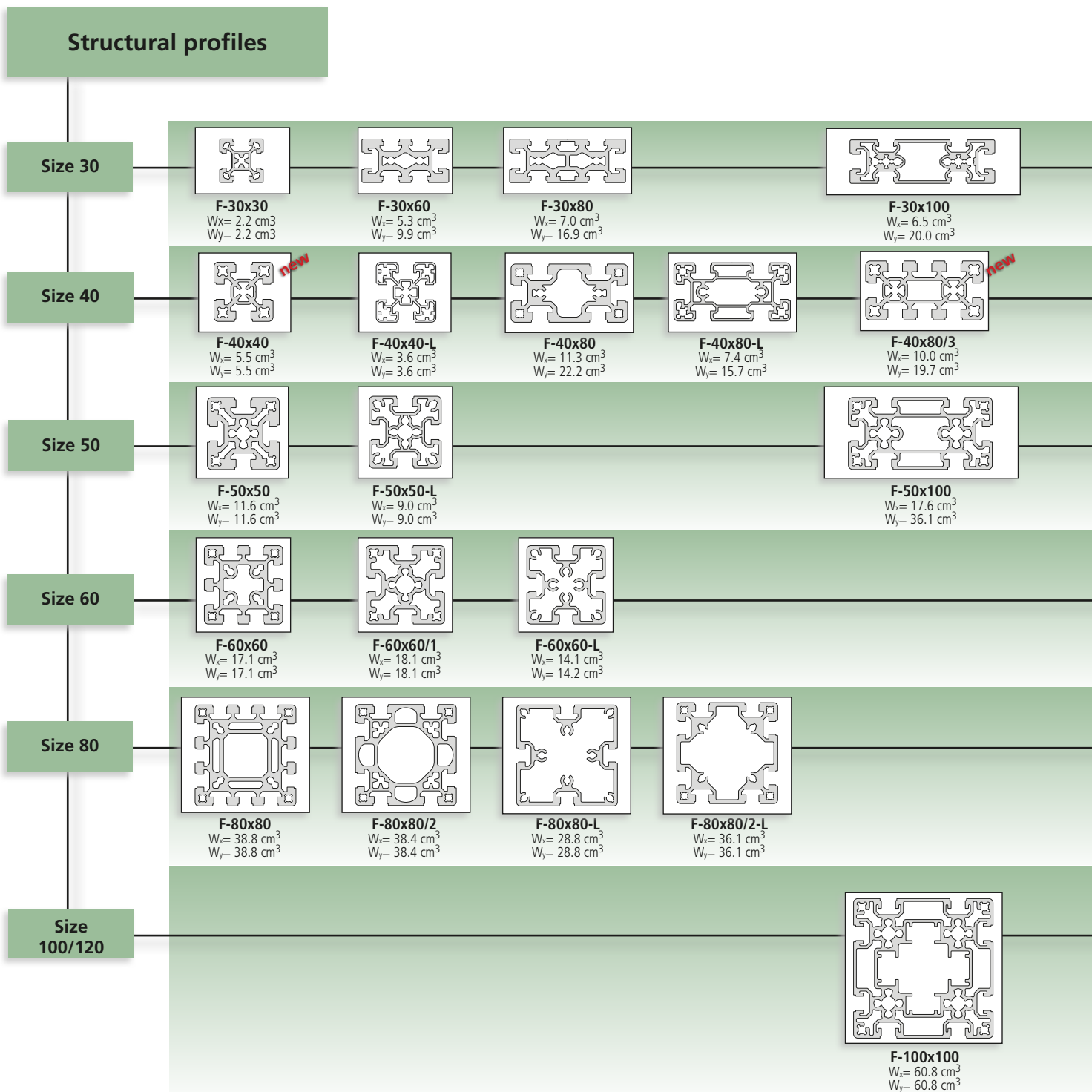
- ✓ High dynamic
- ✓ Large structures
- ✓ Easily transportable

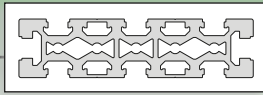




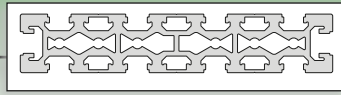
A variety of profile geometries and sizes allows optimal adaptation to prevailing technical and economic conditions. The Structural profiles set their focus on optimal connection options (slots on all sides) and the associated unlimited application options. The BLOCAN® Profile System, which is made from aluminium, offers consistent flexibility

and cost-efficiency. By adapting the relevant profile size to the load to be borne, it is possible to create a technically correct design which is also optimally cost-effective. With such a broad spectrum of profile cross-sections and a comprehensive range of accessories, no task is beyond the realms of possibility.

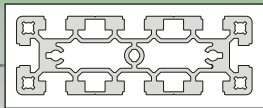




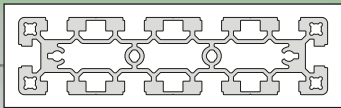
F-30x120
 $W_x = 10.2 \text{ cm}^3$
 $W_y = 36.6 \text{ cm}^3$



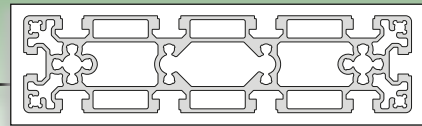
F-30x160
 $W_x = 13.3 \text{ cm}^3$
 $W_y = 64.1 \text{ cm}^3$



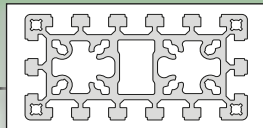
F-40x120
 $W_x = 14.7 \text{ cm}^3$
 $W_y = 42.2 \text{ cm}^3$



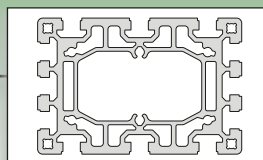
F-40x160
 $W_x = 19.9 \text{ cm}^3$
 $W_y = 72.4 \text{ cm}^3$



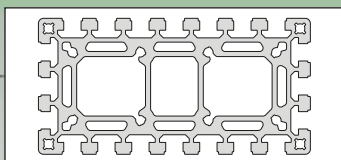
F-50x200
 $W_x = 32.1 \text{ cm}^3$
 $W_y = 122.4 \text{ cm}^3$



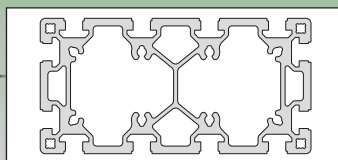
F-60x120
 $W_x = 31.5 \text{ cm}^3$
 $W_y = 62.0 \text{ cm}^3$



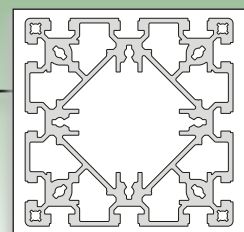
F-80x120
 $W_x = 60.6 \text{ cm}^3$
 $W_y = 83.5 \text{ cm}^3$



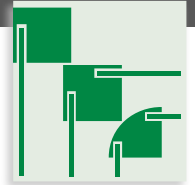
F-80x160
 $W_x = 77.4 \text{ cm}^3$
 $W_y = 140.9 \text{ cm}^3$



F-80x160-L
 $W_x = 72.8 \text{ cm}^3$
 $W_y = 128.1 \text{ cm}^3$



F-120x120
 $W_x = 110.8 \text{ cm}^3$
 $W_y = 110.8 \text{ cm}^3$



Rather than merely offering the Structural profiles (with slots on all sides), a modern aluminium profile system should also be able to offer a range of profiles which is functional and visually attractive. Without losing sight of RK Rose+Krieger's philosophy (connection without machining), we have incorporated a series of functional and special profiles made from al-

uminium into our product portfolio which fulfil this requirement. We have divided the so-called "functional profiles" into three sub-categories. Depending on the profile geometry, the visible, frame and special profiles can be assembled using the appropriate connecting technology, and no further machining of the profiles is required whatsoever. Cut

the profiles to length and assemble, and reduce the effort required for planning and assembly to a minimum in the process!

Visible design profiles

Size	Profile Name	W_i	W_j
Size 30	F-G 30x30	2.1 cm ³	2.1 cm ³
	F-GG 30x30	2.1 cm ³	2.1 cm ³
	F-2G 30x30	2.2 cm ³	2.4 cm ³
	F-3G 30x30	2.2 cm ³	2.4 cm ³
	W 30-30	1.5 cm ³	1.8 cm ³
	W 30-45	1.4 cm ³	1.7 cm ³
	W 30-60	1.8 cm ³	1.9 cm ³
	W 30-90	2.9 cm ³	2.9 cm ³
	F-R 30	1.2 cm ³	1.2 cm ³
Size 40	F-G 40x40	4.8 cm ³	4.9 cm ³
	F-GG 40x40	4.8 cm ³	4.8 cm ³
	F-2G 40x40	4.6 cm ³	4.7 cm ³
	F-3G 40x40	4.8 cm ³	4.9 cm ³
	F-G 40x80	10.4 cm ³	20.6 cm ³
	F-GG 40x80	10.7 cm ³	22.0 cm ³
	4G-40x40	5.2 cm ³	5.2 cm ³
	4G-40x80	9.3 cm ³	19.6 cm ³
	W 40-30	3.7 cm ³	4.2 cm ³
	W 40-45	3.4 cm ³	4.2 cm ³
	W 40-60	4.2 cm ³	4.6 cm ³
	W 40-90	7.4 cm ³	7.4 cm ³
Size 50	F-G 50x50	8.6 cm ³	8.9 cm ³
	F-GG 50x50	8.4 cm ³	8.7 cm ³
	F-2G 50x50	8.3 cm ³	8.7 cm ³
	F-3G 50x50	9.0 cm ³	9.1 cm ³
	SP-50x50	8.2 cm ³	8.3 cm ³
Size 60	F-G 60x60	12.6 cm ³	12.7 cm ³
	F-GG 60x60	12.5 cm ³	12.8 cm ³
	F-2G 60x60	12.1 cm ³	13.0 cm ³
	F-3G 60x60	11.9 cm ³	13.7 cm ³
Size 80	F-G 80x80	34.8 cm ³	33.0 cm ³
	F-GG 80x80	34.1 cm ³	34.1 cm ³
	F-2G 80x80	33.3 cm ³	35.0 cm ³
	F-3G 80x120A	52.8 cm ³	77.9 cm ³



Frame profiles

Size 30

KL 30x30-2 W _x = 1.5 cm ³ W _y = 1.8 cm ³	KLD 30x30 W _x = 1.8 cm ³ W _y = 2.2 cm ³	KLE 30x30 W _x = 2.0 cm ³ W _y = 2.0 cm ³	KLW 30x15 W _x = 1.4 cm ³ W _y = 1.9 cm ³	KLW 30x30 W _x = 3.1 cm ³ W _y = 4.4 cm ³	KLW 30x45 W _x = 1.2 cm ³ W _y = 1.8 cm ³	KLW 30x60 W _x = 1.7 cm ³ W _y = 1.5 cm ³	KLW 30x90 W _x = 2.7 cm ³ W _y = 4.1 cm ³
ESP 30 W _x = 1.4 cm ³ W _y = 1.8 cm ³	ESP 30/2 W _x = 1.5 cm ³ W _y = 1.8 cm ³	ESP 30/2 (40) W _x = 1.5 cm ³ W _y = 1.9 cm ³	ESPD 30x40 (40) W _x = 1.9 cm ³ W _y = 3.5 cm ³	STP 30 W _x = 6.1 cm ³ W _y = 3.7 cm ³			

Size 40

KL 40x40-2 W _x = 3.5 cm ³ W _y = 4.1 cm ³	KLD 40x40 W _x = 4.1 cm ³ W _y = 5.5 cm ³	KLE 40x40 W _x = 4.6 cm ³ W _y = 4.6 cm ³	KLW 40x15 W _x = 1.1 cm ³ W _y = 1.7 cm ³	KLW 40x30 W _x = 2.6 cm ³ W _y = 3.9 cm ³	KLW 40x45 W _x = 2.4 cm ³ W _y = 2.4 cm ³	KLW 40x60 W _x = 3.8 cm ³ W _y = 3.3 cm ³	KLW 40x90 W _x = 5.8 cm ³ W _y = 5.8 cm ³
ESP 40 W _x = 2.7 cm ³ W _y = 3.5 cm ³	ESP 40/2 W _x = 3.0 cm ³ W _y = 3.6 cm ³	STP 40 W _x = 9.7 cm ³ W _y = 6.1 cm ³					

Special profiles

Size 15

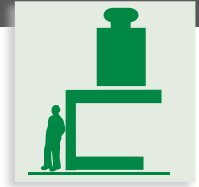
15x40 W _x = 1.3 cm ³ W _y = 3.3 cm ³	15x60 W _x = 1.9 cm ³ W _y = 7.0 cm ³	15x80 W _x = 2.5 cm ³ W _y = 11.9 cm ³	15x120 W _x = 3.6 cm ³ W _y = 25.8 cm ³	15x160 W _x = 4.8 cm ³ W _y = 44.9 cm ³

Size 20

F-20x20 W _x = 0.8 cm ³ W _y = 0.8 cm ³	F-20x40 W _x = 1.3 cm ³ W _y = 2.7 cm ³	F-R 20 W _x = 0.6 cm ³ W _y = 0.5 cm ³	F-G 20x20 W _x = 0.8 cm ³ W _y = 0.7 cm ³	F-GG 20x20 W _x = 0.7 cm ³ W _y = 0.7 cm ³	KL 20x20 W _x = 0.8 cm ³ W _y = 0.8 cm ³	KLD 20x40 W _x = 0.7 cm ³ W _y = 0.8 cm ³	KLE 20x20 W _x = 0.6 cm ³ W _y = 0.7 cm ³

Size 40

2x40 W _x = 7.9 cm ³ W _y = 11.3 cm ³	3x40 W _x = 8.8 cm ³ W _y = 14.1 cm ³	8x40 W _x = 27.6 cm ³ W _y = 27.6 cm ³



If machine structures are required to be extremely stable, they are made from steel ...!

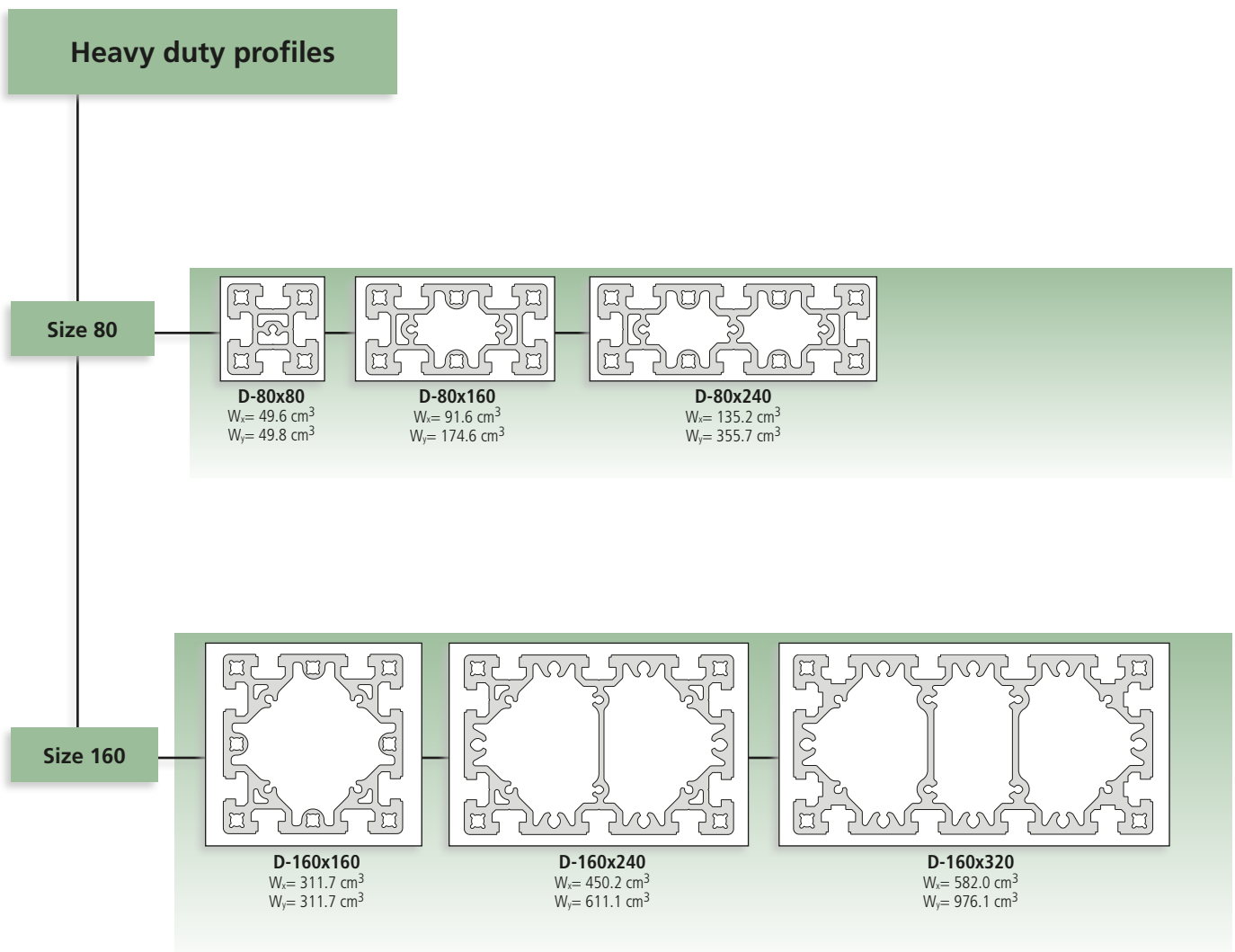
This piece of construction wisdom is now well out of date.

The BLOCAN[®] aluminium heavy duty profiles with a slot width of 18 mm combine with the press mount connector (patent pending) to offer many advantages in the classic field of mechanical engineering. The effective connecting technology without the need for machining, in addition to the high stability and low weight of the profiles increase the adaptability of the structure and reduce the total costs.

The demands of design engineers for flexible and light systems can no longer be fulfilled using steel as a material. Use of aluminium outside of its established stronghold in the automotive industry is increasing. The mechanical engineering industry also benefits from the innovative aluminium profile technology. In the past, the limitations of aluminium were always demonstrated when the stability of the overall structure had to fulfil particularly high requirements. With the new BLOCAN[®] heavy duty profiles, this is no longer a problem. The 320x160 profile is almost on a par with an IPE 360 double T-girder, even though it has smaller dimen-

sions and weighs 35% less.

The aluminium profiles in the dimensions 80x80, 80x160, 80x240, 160x160, 160x240 and 160x320 mm offer a very high bending and torsional stiffness despite their low net weight. Therefore, even large portal systems and machine frames, which until now were the preserve of steel structures, can be realised in a lightweight design made from aluminium profiles.

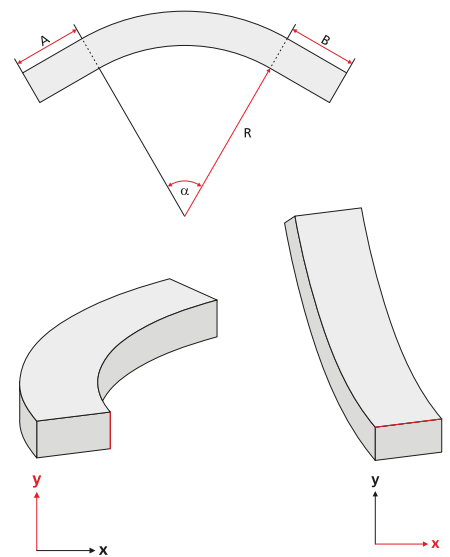
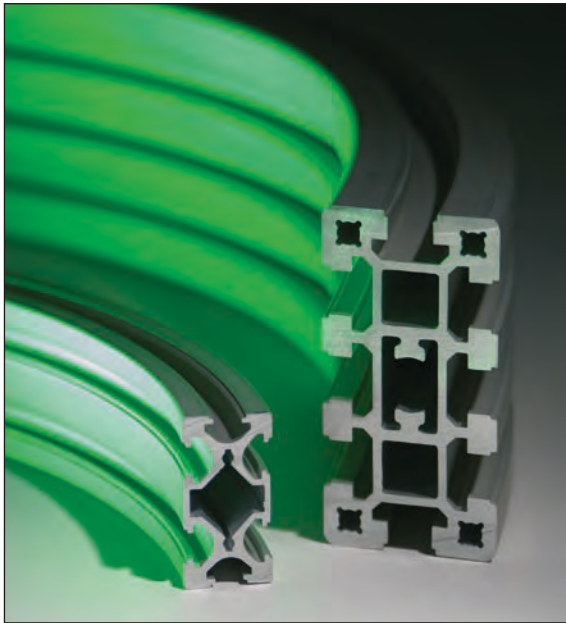


Bent BLOCAN® profiles

Bent aluminium extruded profiles allow for smaller and lighter structures. Not only that, they are being used more and more in mechanical engineering for functional and visual reasons. However, these applications call for high-precision radii and radius distributions while avoiding cross-sectional deformation.

Thanks to the CNC-controlled bending process, the profile geometry remains intact, thus allowing slot stones to be used. However, for face-to-face fixing, a straight section of 20 mm must be allowed for the fixing screws. Anodised profiles are used as standard. However, small cracks may appear

in the anodised layer of the curved sections. For this reason, we recommend anodising after bending if the aesthetic requirements are high and the radii are extremely small.



Profile	Bending axis	R_{\min}
F-20x20	X Y	150
F-20x40	X	150
F-20x40	Y	200
F-R 20x20	X Y	150
F-G 20x20	X Y	150
KL 20x20	X Y	150
30x30	X Y	150
ESP 30x30	X Y	150
F-R 30x30	X Y	150
KL 30x30	X Y	150
40x40	X Y	200
40x80	X	200
40x80	Y	500
ESP 40x40	X Y	200
KL 40x40	X Y	200
F-80x80-L	X Y	500

Further profiles available on request

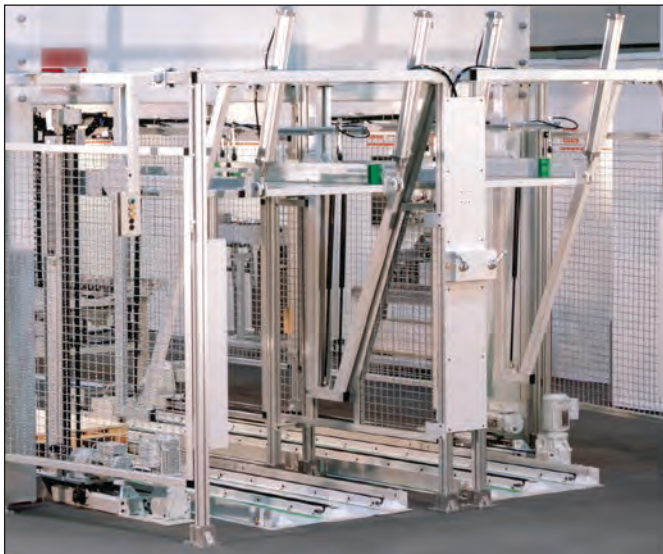
Parameters required to make an enquiry/place an order:

- Profile types
- Bending axis
- Dimension A
- Dimension B
- Radius R
- Angle

Protection and partitioning system

Safety with visual appeal

Due to the ever increasing automation of manufacturing processes and equipment, the protection of people from sources of danger is growing in importance. The BLOCAN® safety guard has a grid design and therefore reduces the effort required from the user in planning, construction and assembly to a minimum. The RK protection system complies with the new Machinery Directive 2006/42/EC. Using special Click & Safe connection elements, the safety guard elements are fixed quickly and securely to pillars made from BLOCAN® aluminium profiles which fulfil the legal requirements for safety devices.



Overview of elements

Pillars	Screen A	Screen B	Screen C	Click & Safe ...the quick and easy safety guard	
Hinged door	Double-wing hinged door	Sliding door	Lifting door		



RK Easywork workstation system

For configurable workstation systems developed to meet ergonomic and task-specific requirements.

With the RK Easywork selection tool, a complete assembly work table can be configured online to meet ergonomic and task-specific requirements. Step by step, the selection tool guides you through all of the options on the way to creating your ideal workstation. Additional lighting, holders for grab containers, foot rests, standing chairs and ESD accessories are all available, along with other useful devices.

The RK Easywork workstation system is based on RK Rose+Krieger's complete modular system. BLOCAN® Structural profiles made from aluminium and the electrically driven lifting columns offer a perfect combination for the creation of high-quality table concepts. Customers can choose between the simplest static tables or electrically height-adjustable work tables and configure their own combinations.

Step 1:
Calculate the dimensions



Step 2:
Select workstation online



Step 3:
We prepare a detailed quotation



Step 4:
We deliver a fully equipped workstation



The basic types

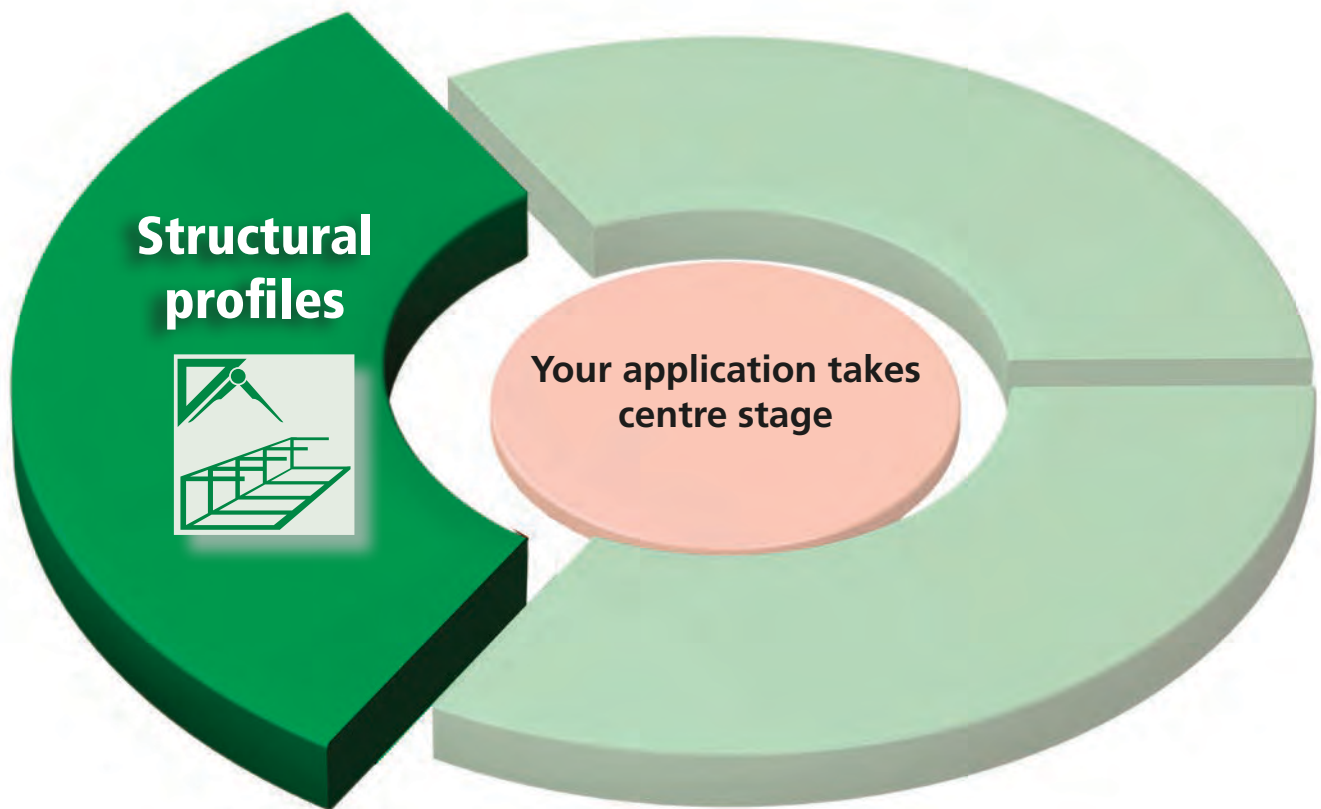


Static



Electric





Features:

- ✓ Fixing slots on all sides
- ✓ Unlimited application options
- ✓ Minimal effort required in construction
- ✓ Cost optimisation



Stable, versatile structures

Profile overview p. 24

Profiles p. 28

Connection techniques p. 47

Slot stones / screws and accessories p. 83

Profile covers p. 95

Panels and accessories p. 103

Feet / castors and accessories ... p. 120

Fittings p. 136

Conveying elements p. 150

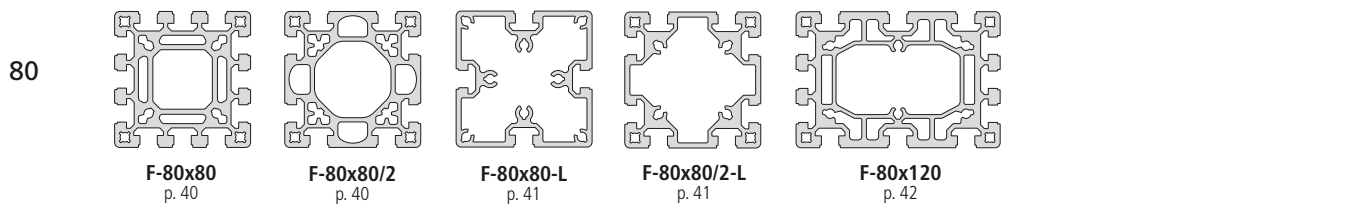
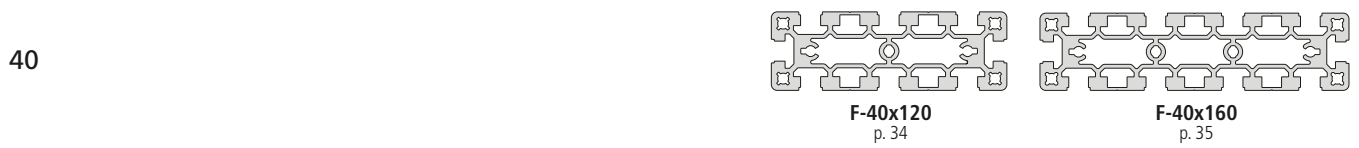
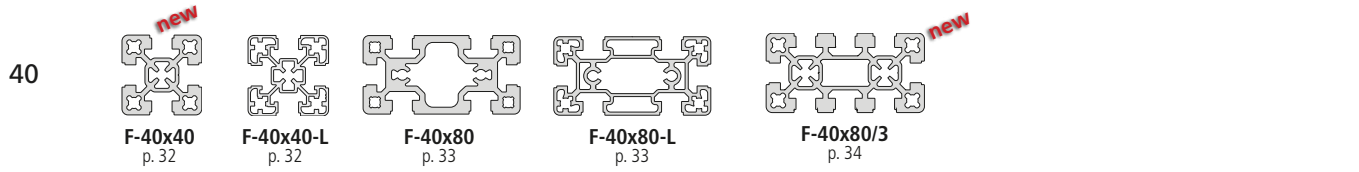
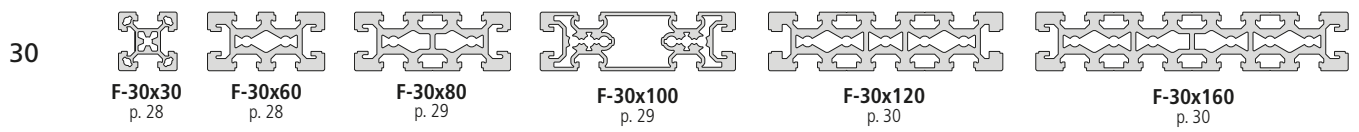
Pneumatics p. 155

Cable channel system p. 156

Structural profiles

Structural profile overview

Sizes



Profiles

- Overview p. 24
- Slot geometry p. 26
- Load data p. 27
- Size 30–120 p. 28

Connection techniques

- Right-angle connections p. 54
- Cross connections p. 64
- Angle connections p. 68
- Face-to-face and parallel connections p. 76

Accessories

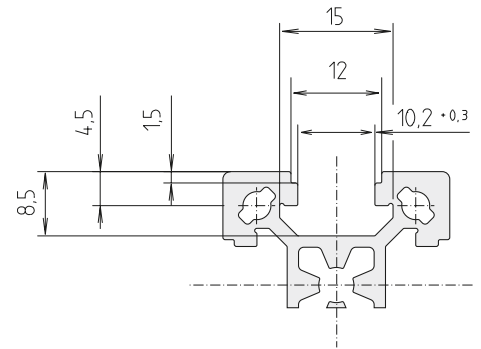
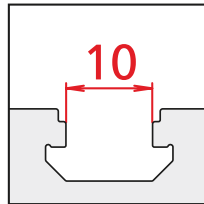
- Slot stones, screws p. 82
- Profile covers p. 94
- Panels p. 102
- Feet, castors p. 120
- Fittings p. 136
- Conveying elements p. 150
- Pneumatics p. 154
- Cable channel system p. 156

Applications

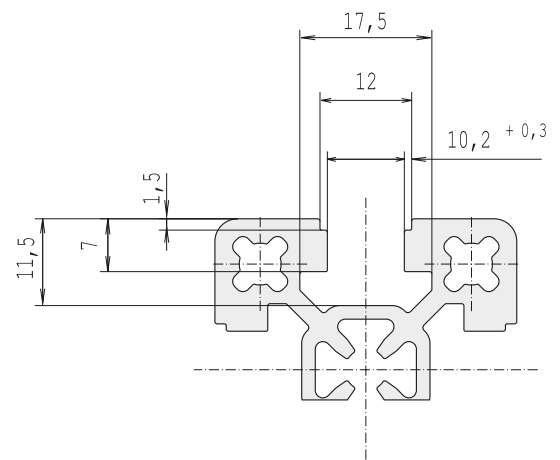
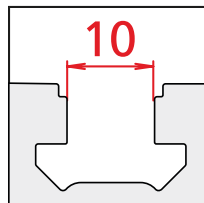
- Frames and structures p. 162

Slot geometry

- 30 slot geometry
- For all profiles up to size 30
- Exception: F-30x60, F-30x80, F-30x100, F-30x120, F-30x160
- with 40 slot geometry on the long side



- 40 slot geometry
- Geometry for all profiles as of size 40



Load data

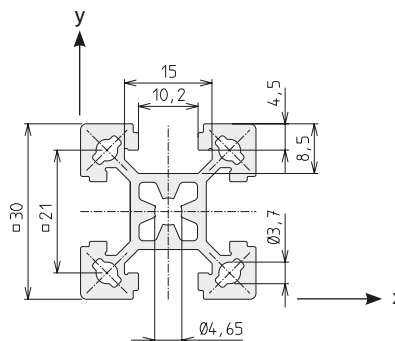
Moment of inertia: I [cm⁴]

Moment of resistance: w [cm³]

Profiles	Area	I_x [cm ⁴]	I_y [cm ⁴]	W_x [cm ³]	W_y [cm ³]	Weight	Page
F-30x30	363	3.3	3.3	2.2	2.2	979	28
F-30x60	874	7.9	29.6	5.3	9.9	2350	28
F-30x80	1151	10.6	67.4	7.0	16.9	3100	29
F-30x100	1023	9.8	101.0	6.5	20.0	2762	29
F-30x120	1174	15.3	219.6	10.2	36.6	4780	30
F-30x160	2309	20.0	513.0	13.3	64.1	6230	30
<i>new</i> F-40x40	705	11.2	11.2	5.58	5.58	1903	32
F-40x40-L	475	7.1	7.1	3.6	3.6	1281	32
F-40x80	1332	22.7	88.9	11.3	22.2	3397	33
F-40x80-L	933	14.9	62.8	7.4	15.7	2518	33
<i>new</i> F-40x80/3	1274	20.0	79.0	10.0	19.8	3440	34
F-40x120	1738	29.8	253.8	14.7	42.2	4694	34
F-40x160	2350	39.8	579.6	19.9	72.4	6344	35
F-50x50	1227	29.1	29.1	11.6	11.6	3314	36
F-50x50-L	866	22.5	22.5	9.0	9.0	2339	36
F-50x100	1743	43.9	180.8	17.6	36.1	4707	37
F-50x200	3024	80.3	1223.6	32.1	122.4	8165	37
F-60x60	1504	51.2	51.2	17.1	17.1	4065	38
F-60x60/1	1542	54.6	54.6	18.1	18.1	4161	38
F-60x60-L	1095	42.2	42.2	14.1	14.1	2960	39
F-60x120	2777	94.7	372.3	62.0	31.5	7500	39
F-80x80	2480	155.3	155.3	38.8	38.8	6696	40
F-80x80/2	2218	153.8	153.8	38.4	38.4	5990	40
F-80x80-L	1498	115.1	115.1	28.8	28.8	4045	41
F-80x80/2-L	1862	144.5	144.5	36.1	36.1	5027	41
F-80x120	3267	242.5	500.7	60.6	83.5	8822	42
F-80x160	4723	314.6	1126.9	77.4	140.9	12753	43
F-80x160-L	3714	291.3	1024.6	72.8	128.1	10028	43
F-100x100	2890	304.1	304.1	60.8	60.8	7804	44
F-120x120	4259	665.1	665.1	110.8	110.8	11500	45

Profiles / size 30

F-30x30



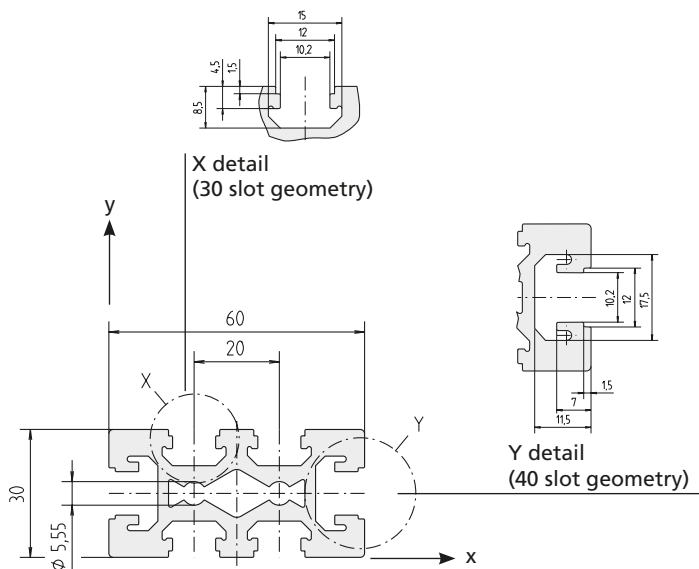
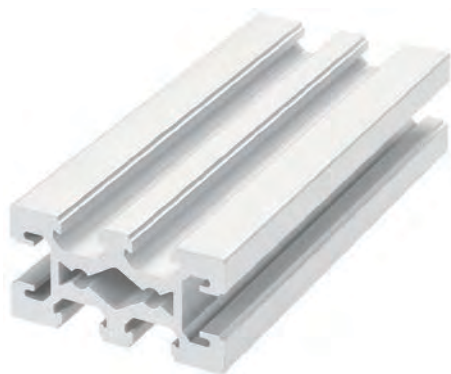
Code No. F-30x30 profile			Anodised
4575000	Cut to size	max. 6000 mm	Clear
4575001	Bar	6000 mm	Clear

Area	363	mm ²
I _x	3.3	cm ⁴
I _y	3.3	cm ⁴
W _x	2.2	cm ³
W _y	2.2	cm ³
Weight	979	g/m

Connection	Quantity required per conn.	Connection to slot geometry	Code No. /unit
long.	1	30	4306709
+ transverse	1	40	4306710

For description of slot geometry, please see page 26

F-30x60

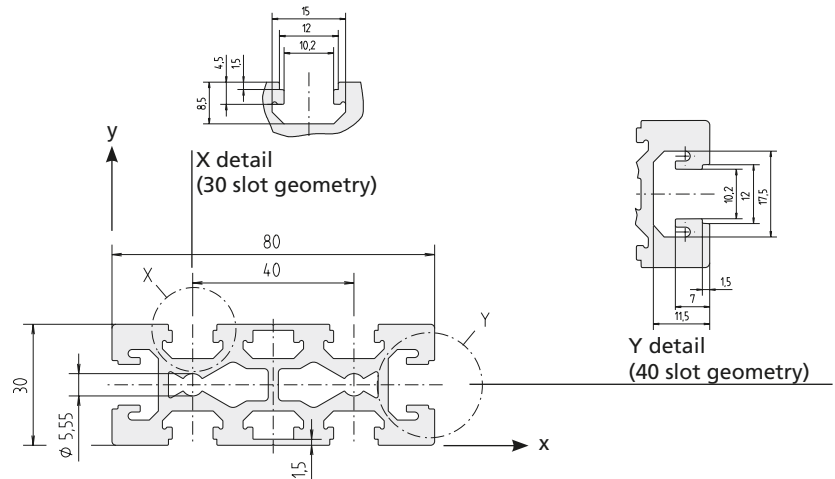


Code No. F-30x60 profile			Anodised
4305000	Cut to size	max. 6000 mm	Clear
4305001	Bar	6000 mm	Clear

Area	874	mm ²
I _x	7.9	cm ⁴
I _y	29.6	cm ⁴
W _x	5.3	cm ³
W _y	9.9	cm ³
Weight	2350	g/m

Connection	Quantity required per conn.	Connection to slot geometry	Code No. /unit
long.	1	30	4226706
	1	40	4226702
transverse	2	30	4176704
	2	40	4176705

For description of slot geometry, please see page 26

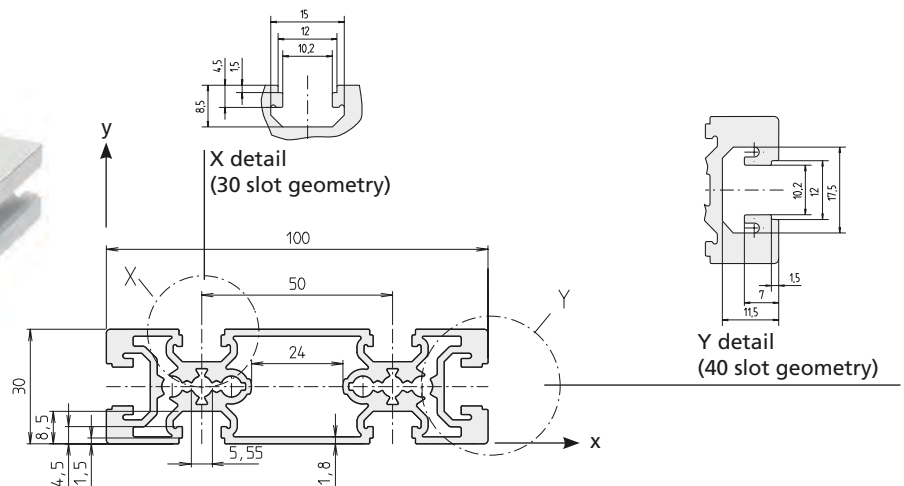
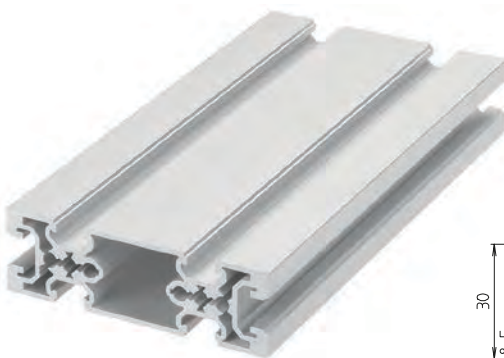
F-30x80


Code No. F-30x80 profile			Anodised
4315000	Cut to size	max. 6000 mm	Clear
4315001	Bar	6000 mm	Clear

Connection	Quantity required per conn.	Connection to slot geometry	Code No. /unit
long.	1	30	4316706
	1	40	4246702
transverse	2	30	4176704
	2	40	4176705

Area	1151	mm ²
I_x	10.6	cm ⁴
I_y	67.4	cm ⁴
W_x	7.0	cm ³
W_y	16.9	cm ³
Weight	3100	g/m

For description of slot geometry, please see page 26

F-30x100


Code No. F-30x100 profile			Anodised
4295000	Cut to size	max. 6000 mm	Clear
4295001	Bar	6000 mm	Clear

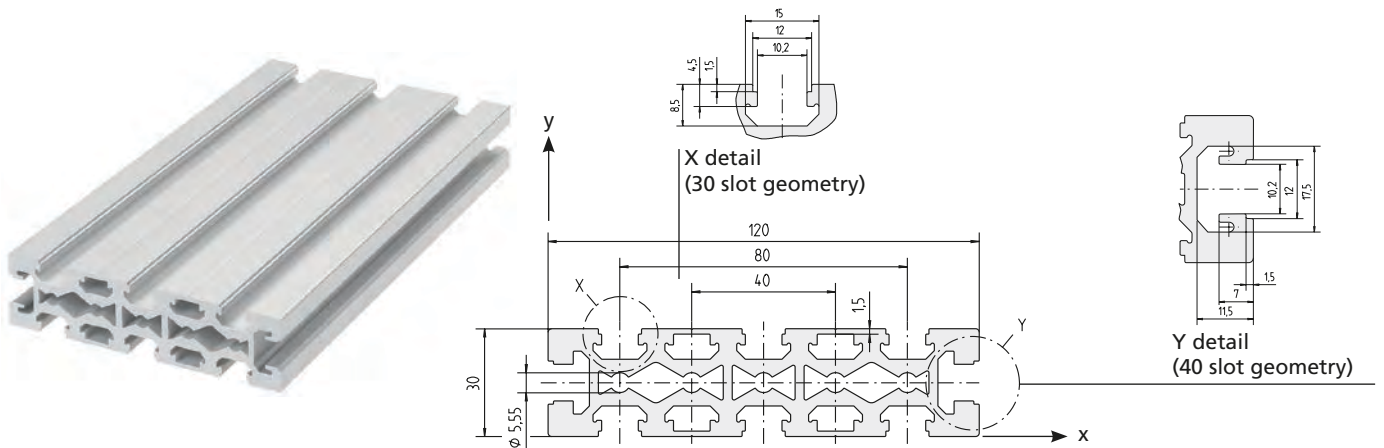
Connection	Quantity required per conn.	Connection to slot geometry	Code No. /unit
long.	2	30	4086706
	2	40	4086702
transverse	2	30	4176704
	2	40	4176705

Area	1023	mm ²
I_x	9.8	cm ⁴
I_y	101.0	cm ⁴
W_x	6.5	cm ³
W_y	20.0	cm ³
Weight	2762	g/m

For description of slot geometry, please see page 26

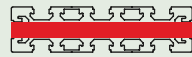

Profiles / size 30

F-30x120



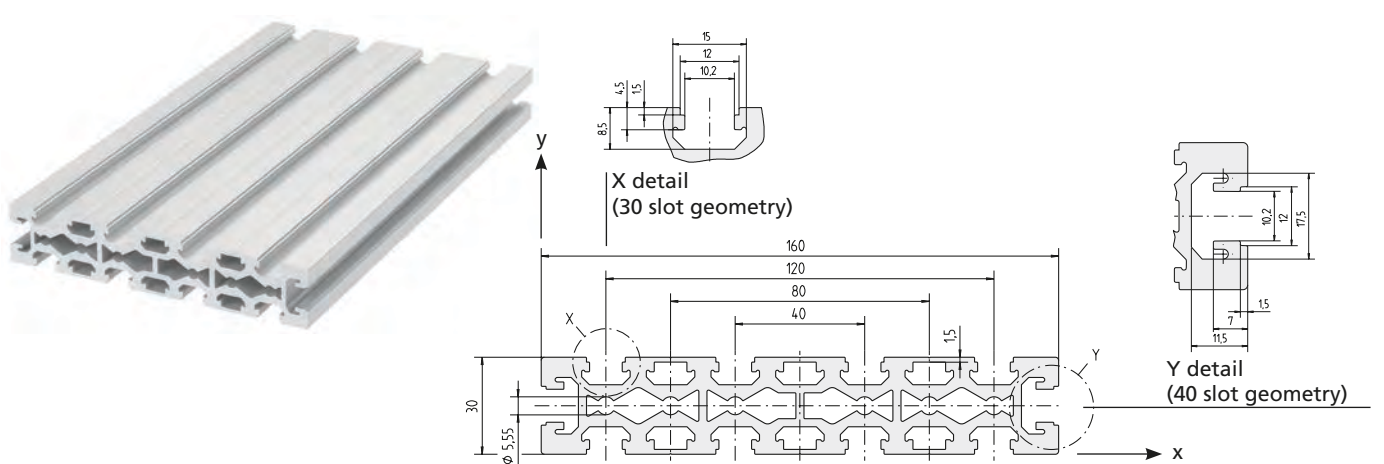
Code No. F-30x120 profile			Anodised
4325000	Cut to size	max. 6000 mm	Clear
4325001	Bar	6000 mm	Clear

Area 1174 mm²
 I_x 15.3 cm⁴
 I_y 219.6 cm⁴
 W_x 10.0 cm³
 W_y 36.6 cm³
 Weight 4780 g/m

Connection	Quantity required per conn.	Connection to slot geometry	Code No. /unit
 long.	1	30	4326706
	1	40	4326702
 transverse	3	30	4176704
	3	40	4176705



For description of slot geometry, please see page 26

F-30x160



Code No. F-30x160 profile			Anodised
4335000	Cut to size	max. 6000 mm	Clear
4335001	Bar	6000 mm	Clear

Area 2309 mm²
 I_x 20.0 cm⁴
 I_y 513.0 cm⁴
 W_x 13.3 cm³
 W_y 64.1 cm³
 Weight 6230 g/m

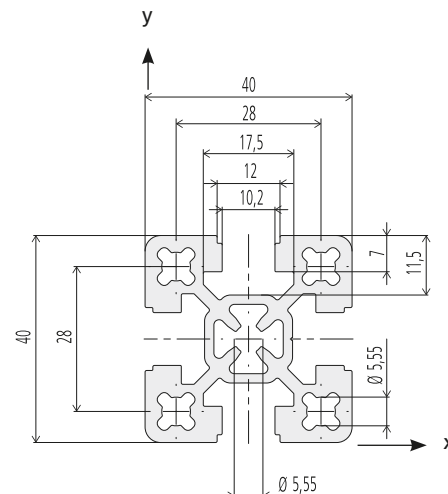
Connection	Quantity required per conn.	Connection to slot geometry	Code No. /unit
 long.	1	30	4336706
	1	40	4336702
 transverse	4	30	4176704
	4	40	4176705

For description of slot geometry, please see page 26





Profiles / size 40

F-40x40 new



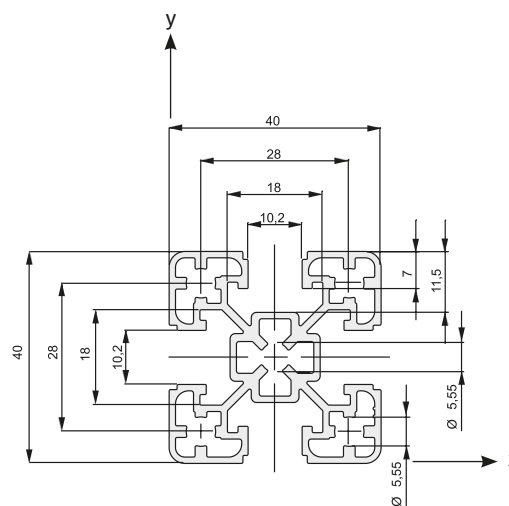
Code No. F-40x40 profile			Anodised
4D35000	Cut to size	max. 6000 mm	Clear
4D35001	Bar	6000 mm	Clear

Area	705	mm ²
I _x	11.2	cm ⁴
I _y	11.2	cm ⁴
W _x	5.58	cm ³
W _y	5.58	cm ³
Weight	1903	g/m

Connection	Quantity required per conn.	Connection to slot geometry	Code No. /unit
 + long.	1	30	4816703
 + transverse	1	40	4816702



For description of slot geometry, please see page 26

F-40x40-L

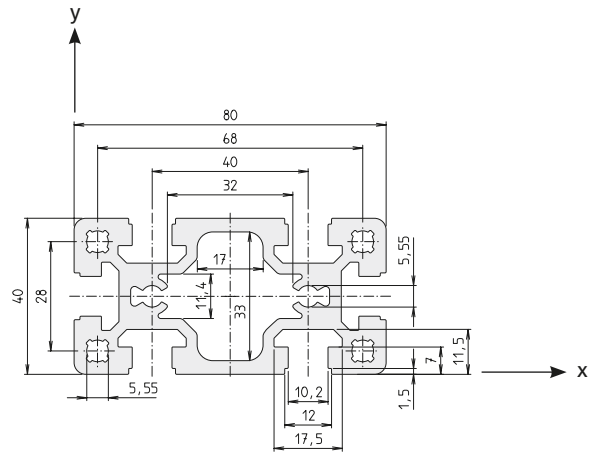
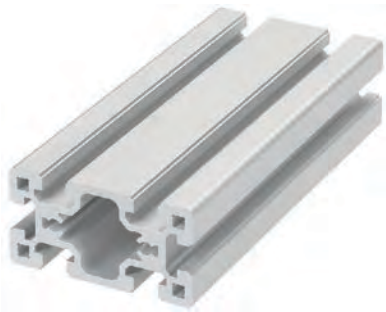


Code No. F-40x40-L profile			Anodised
4815000	Cut to size	max. 6000 mm	Clear
4815001	Bar	6000 mm	Clear
4815010	Cut to size	max. 6000 mm	Black
4815011	Bar	6000 mm	Black

Area	475	mm ²
I _x	7.1	cm ⁴
I _y	7.1	cm ⁴
W _x	3.6	cm ³
W _y	3.6	cm ³
Weight	1281	g/m

Connection	Quantity required per conn.	Connection to slot geometry	Code No. /unit
 + long.	1	30	4816703
 + transverse	1	40	4816702

For description of slot geometry, please see page 26

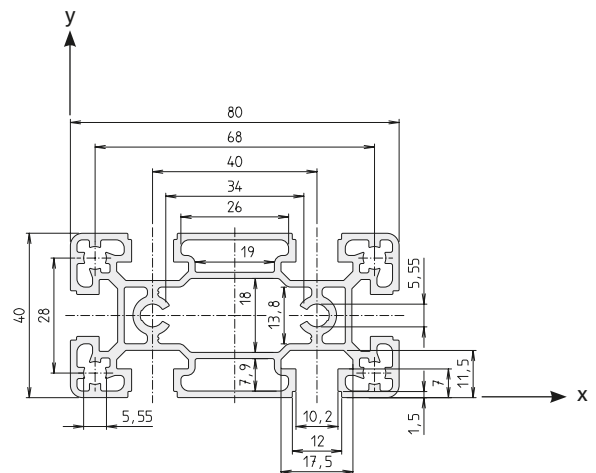
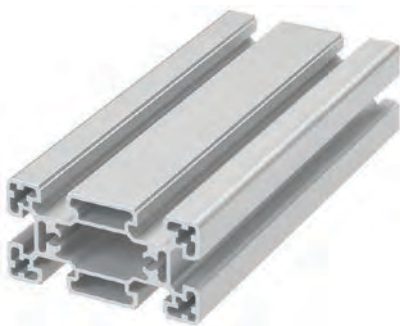
F-40x80


Area	1332	mm ²
I_x	22.7	cm ⁴
I_y	88.9	cm ⁴
W_x	11.3	cm ³
W_y	22.3	cm ³
Weight	3397	g/m

Code No. F-40x80 profile			Anodised
4395000	Cut to size	max. 6000 mm	Clear
4395001	Bar	6000 mm	Clear

Connection	Quantity required per conn.	Connection to slot geometry	Code No. /unit
long.	1	30	4316706
	1	40	4246702
transverse	2	30	4816703
	2	40	4816702

For description of slot geometry, please see page 26

F-40x80-L


Area	933	mm ²
I_x	14.9	cm ⁴
I_y	62.8	cm ⁴
W_x	7.4	cm ³
W_y	15.7	cm ³
Weight	2518	g/m

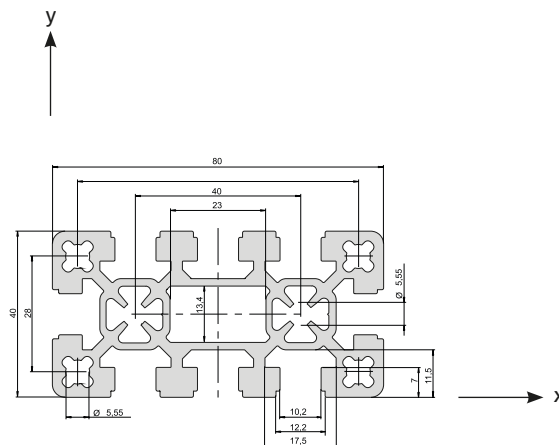
Code No. F-40x80-L profile			Anodised
4285000	Cut to size	max. 6000 mm	Clear
4285001	Bar	6000 mm	Clear

Connection	Quantity required per conn.	Connection to slot geometry	Code No. /unit
long.	1	30	4316706
	1	40	4246702
transverse	2	30	4816703
	2	40	4816702

For description of slot geometry, please see page 26

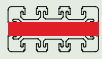

Profiles / size 40

F-40x80/3 new



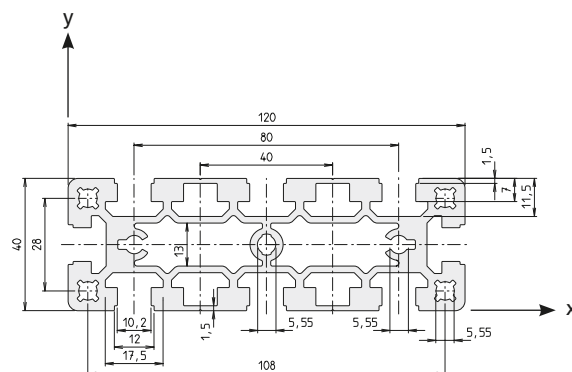
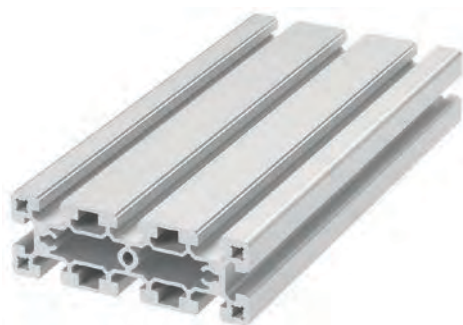
Area	933	mm ²
I_x	14.9	cm ⁴
I_y	62.8	cm ⁴
W_x	7.4	cm ³
W_y	15.7	cm ³
Weight	2518	g/m

Code No. F-40x80/3 profile			Anodised
4D45000	Cut to size	max. 6000 mm	Clear
4D45001	Bar	6000 mm	Clear

Connection	Quantity required per conn.	Connection to slot geometry	Code No. /unit
 long.	1	30	4316706
	1	40	4246702
 transverse	2	30	4816703
	2	40	4816702

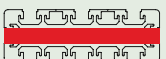

For description of slot geometry, please see page 26

F-40x120



Area	1738	mm ²
I_x	29.8	cm ⁴
I_y	253.7	cm ⁴
W_x	14.7	cm ³
W_y	42.2	cm ³
Weight	4694	g/m

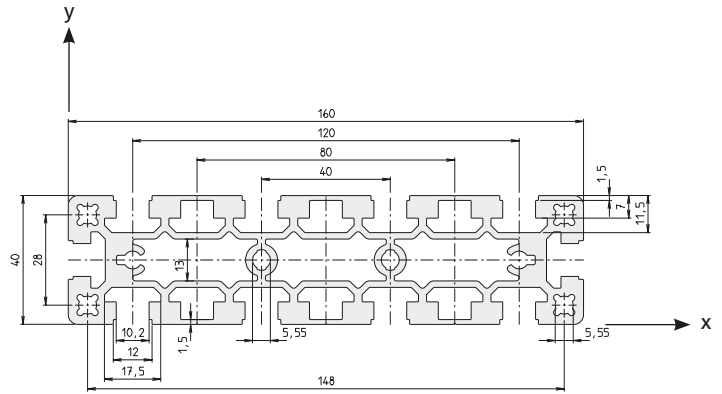
Code No. F-40x120 profile			Anodised
4645000	Cut to size	max. 6000 mm	Clear
4645001	Bar	6000 mm	Clear

Connection	Quantity required per conn.	Connection to slot geometry	Code No. /unit
 long.	1	30	4326706
	1	40	4326702
 transverse	3	30	4816703
	3	40	4816702

For description of slot geometry, please see page 26

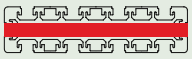

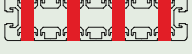



F-40x160



Code No. F-40x160 profile			Anodised
4655000	Cut to size	max. 6000 mm	Clear
4655001	Bar	6000 mm	Clear

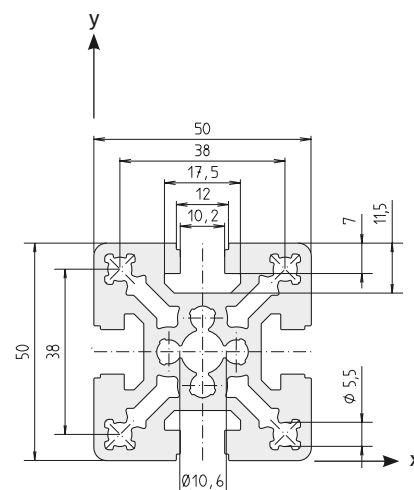
Area 2350 mm²
 I_x 39.8 cm⁴
 I_y 579.6 cm⁴
 W_x 19.9 cm³
 W_y 72.4 cm³
 Weight 6344 g/m

Connection	Quantity required per conn.	Connection to slot geometry	Code No. /unit
 long.	1	30	4336706
 long.	1	40	4336702
 transverse	4	30	4816703
 transverse	4	40	4816702

For description of slot geometry, please see page 26

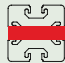

Profiles / size 50

F-50x50



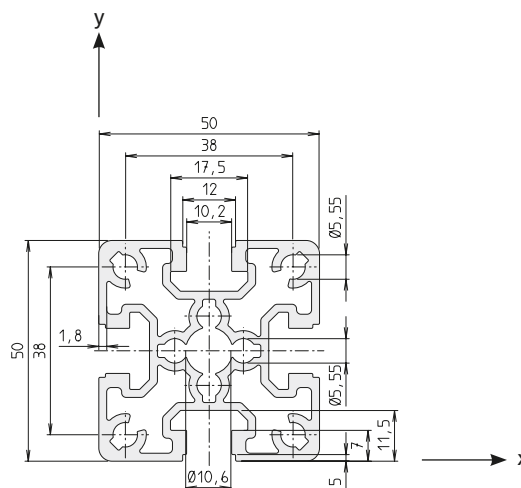
Code No. F-50x50 profile			Anodised
4085000	Cut to size	max. 6000 mm	Clear
4085001	Bar	6000 mm	Clear

Area	1227	mm ²
I_x	29.1	cm ⁴
I_y	29.1	cm ⁴
W_x	11.6	cm ³
W_y	11.6	cm ³
Weight	3314	g/m

Connection	Quantity required per conn.	Connection to slot geometry	Code No. /unit
  long. + transverse	1	30	4086706
	1	40	4086702

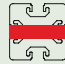

For description of slot geometry, please see page 26

F-50x50-L



Code No. F-50x50-L profile			Anodised
4275000	Cut to size	max. 6000 mm	Clear
4275001	Bar	6000 mm	Clear

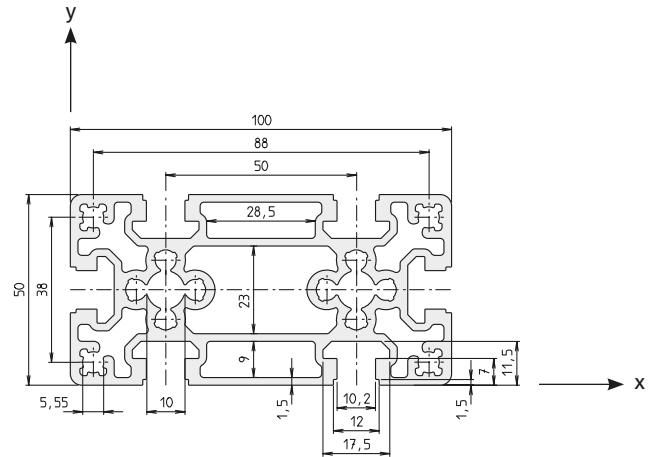
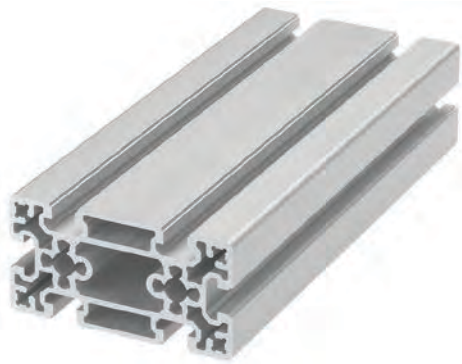
Area	866	mm ²
I_x	22.5	cm ⁴
I_y	22.5	cm ⁴
W_x	9.0	cm ³
W_y	9.0	cm ³
Weight	2339	g/m

Connection	Quantity required per conn.	Connection to slot geometry	Code No. /unit
  long. + transverse	1	30	4086706
	1	40	4086702

For description of slot geometry, please see page 26



F-50x100



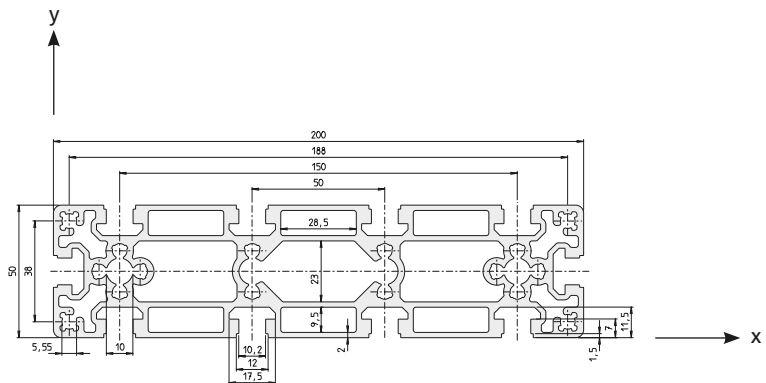
Code No. Profile F-50x100			Anodised
4665000	Cut to size	max. 6000 mm	Clear
4665001	Bar	6000 mm	Clear

Area 1743 mm²
 I_x 43.9 cm⁴
 I_y 180.8 cm⁴
 W_x 17.6 cm³
 W_y 36.1 cm³
 Weight 4707 g/m

Connection	Quantity required per conn.	Connection to slot geometry	Code No. /unit
long. + transverse	2	30	4086706
	2	40	4086702

For description of slot geometry, please see page 26

F-50x200



Code No. F-50x200 profile			Anodised
4675000	Cut to size	max. 6000 mm	Clear
4675001	Bar	6000 mm	Clear

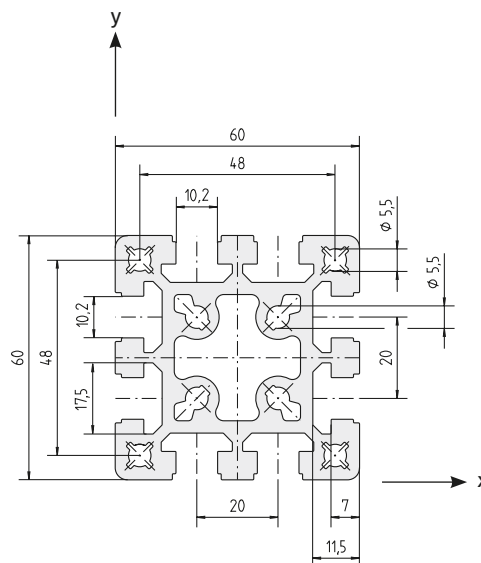
Area 3024 mm²
 I_x 80.3 cm⁴
 I_y 1223.6 cm⁴
 W_x 32.1 cm³
 W_y 122.4 cm³
 Weight 8165 g/m

Connection	Quantity required per conn.	Connection to slot geometry	Code No. /unit
long.	2	30	4086706
	2	40	4086702
transverse	4	30	4086706
	4	40	4086702

For description of slot geometry, please see page 26

Profiles / size 60

F-60x60



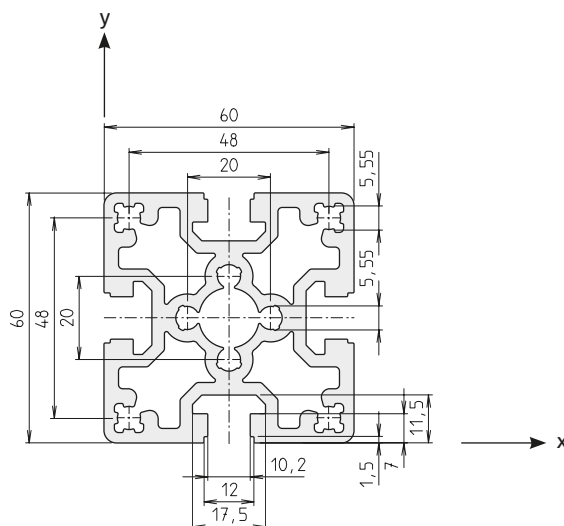
Code No. F-60x60 profile			Anodised
4125000	Cut to size	max. 6000 mm	Clear
4125001	Bar	6000 mm	Clear

Area	1504	mm ²
I_x	51.2	cm ⁴
I_y	51.2	cm ⁴
W_x	17.1	cm ³
W_y	17.1	cm ³
Weight	4065	g/m

Connection	Quantity required per conn.	Connection to slot geometry	Code No. /unit
long.	2	30	4226706
+ transverse	2	40	4226702

For description of slot geometry, please see page 26

F-60x60/1

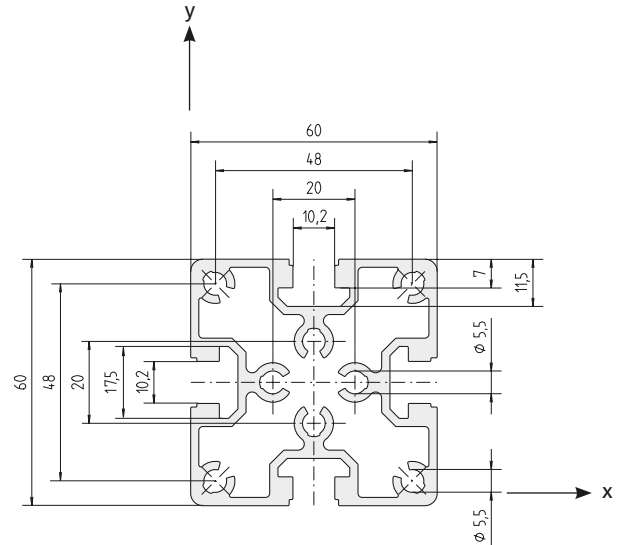


Code No. F-60x60/1 profile			Anodised
4135000	Cut to size	max. 6000 mm	Clear
4135001	Bar	6000 mm	Clear

Area	1542	mm ²
I_x	54.6	cm ⁴
I_y	54.6	cm ⁴
W_x	18.1	cm ³
W_y	18.1	cm ³
Weight	4161	g/m

Connection	Quantity required per conn.	Connection to slot geometry	Code No. /unit
long.	1	30	4226706
+ transverse	1	40	4226702

For description of slot geometry, please see page 26

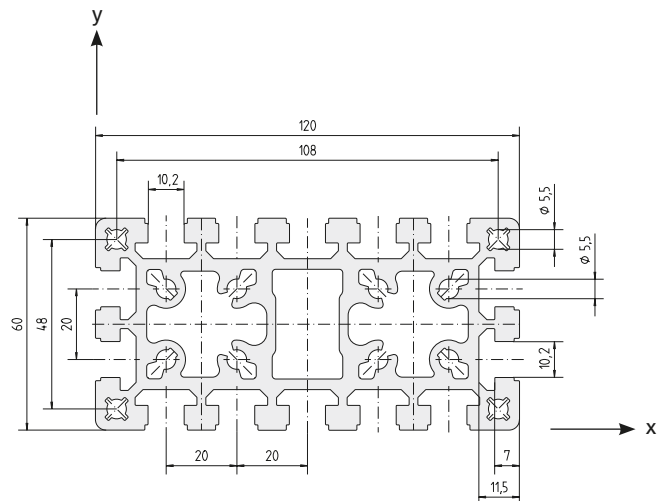
F-60x60-L


Code No. F-60x60-L profile			Anodised
4225000	Cut to size	max. 6000 mm	Clear
4225001	Bar	6000 mm	Clear

Area	1095	mm ²
I_x	42.2	cm ⁴
I_y	42.2	cm ⁴
W_x	14.1	cm ³
W_y	14.1	cm ³
Weight	2960	g/m

Connection	Quantity required per conn.	Connection to slot geometry	Code No. /unit
long.	1	30	4226706
+ transverse	1	40	4226702

For description of slot geometry, please see page 26

F-60x120


Code No. Profile F-60x120			Anodised
4065000	Cut to size	max. 6000 mm	Clear
4065001	Bar	6000 mm	Clear

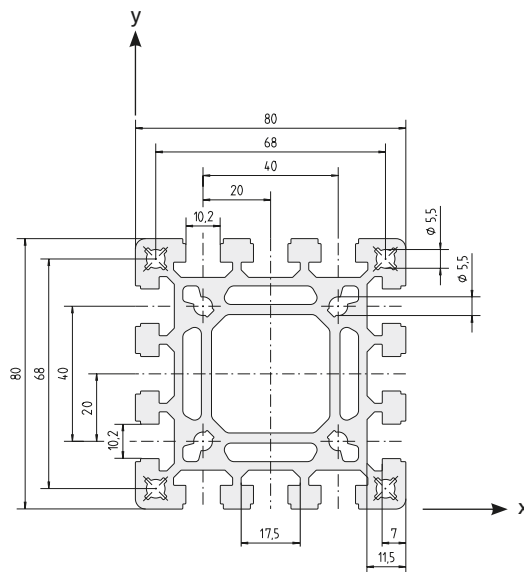
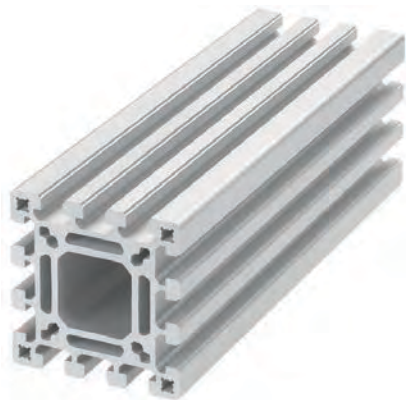
Area	2777	mm ²
I_x	94.7	cm ⁴
I_y	372.3	cm ⁴
W_x	31.5	cm ³
W_y	62.0	cm ³
Weight	7500	g/m

Connection	Quantity required per conn.	Connection to slot geometry	Code No. /unit
long.	2	30	4326706
	2	40	4326702
transverse	4	30	4226706
	4	40	4226702

For description of slot geometry, please see page 26

Profiles / size 80

F-80x80



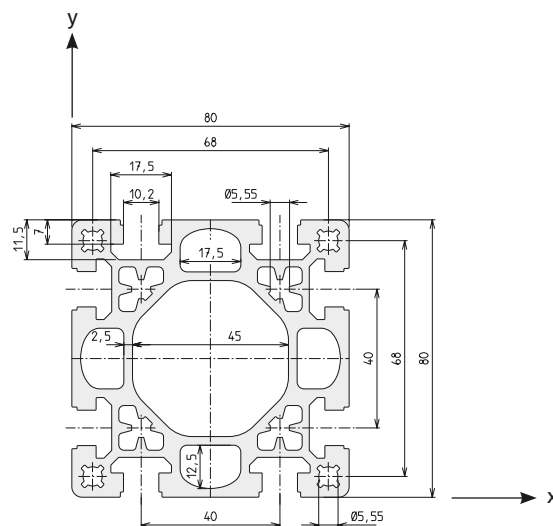
Code No. F-80x80 profile			Anodised
4145000	Cut to size	max. 6000 mm	Clear
4145001	Bar	6000 mm	Clear
4145010	Cut to size	max. 6000 mm	Black
4145011	Bar	6000 mm	Black

Area	2480	mm ²
I _x	155.3	cm ⁴
I _y	155.3	cm ⁴
W _x	38.8	cm ³
W _y	38.8	cm ³
Weight	6696	g/m

Connection	Quantity required per conn.	Connection to slot geometry	Code No. /unit
long.	2	30	4316706
+ transverse	2	40	4246702

For description of slot geometry, please see page 26

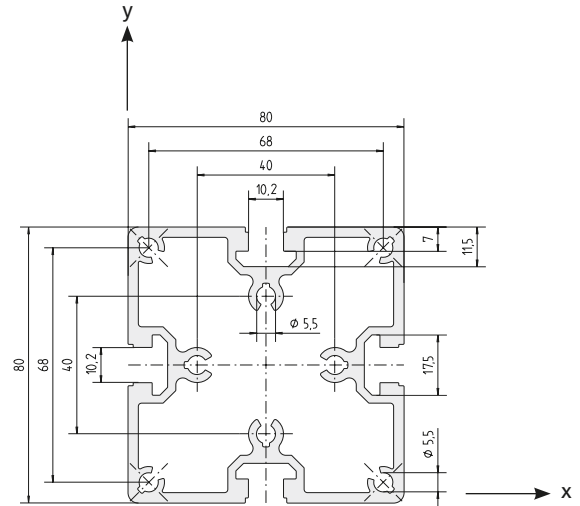
F-80x80/2



Code No. F-80x80/2 profile			Anodised
4805000	Cut to size	max. 6000 mm	Clear
4805001	Bar	6000 mm	Clear
Connection	Quantity required per conn.	Connection to slot geometry	Code No. /unit
long.	2	30	4316706
+ transverse	2	40	4246702

Area	2218	mm ²
I _x	153.8	cm ⁴
I _y	153.8	cm ⁴
W _x	38.4	cm ³
W _y	38.4	cm ³
Weight	5990	g/m

For description of slot geometry, please see page 26

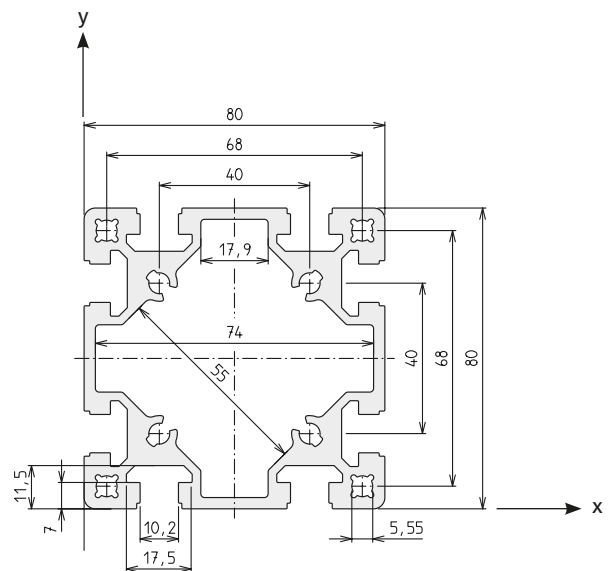
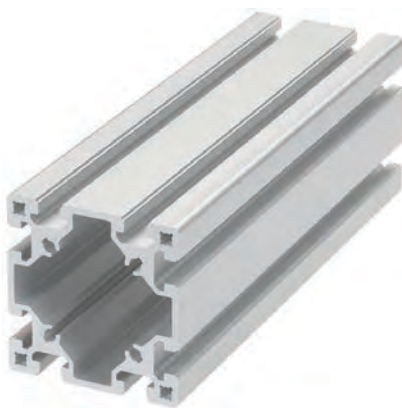
F-80x80-L


Code No. F-80x80-L profile			Anodised
4245000	Cut to size	max. 6000 mm	Clear
4245001	Bar	6000 mm	Clear

Area	1498	mm ²
I_x	115.1	cm ⁴
I_y	115.1	cm ⁴
W_x	28.8	cm ³
W_y	28.8	cm ³
Weight	4045	g/m

Connection	Quantity required per conn.	Connection to slot geometry	Code No. /unit
long. + transverse	1	30	4316706
	1	40	4246702

For description of slot geometry, please see page 26

F-80x80/2-L


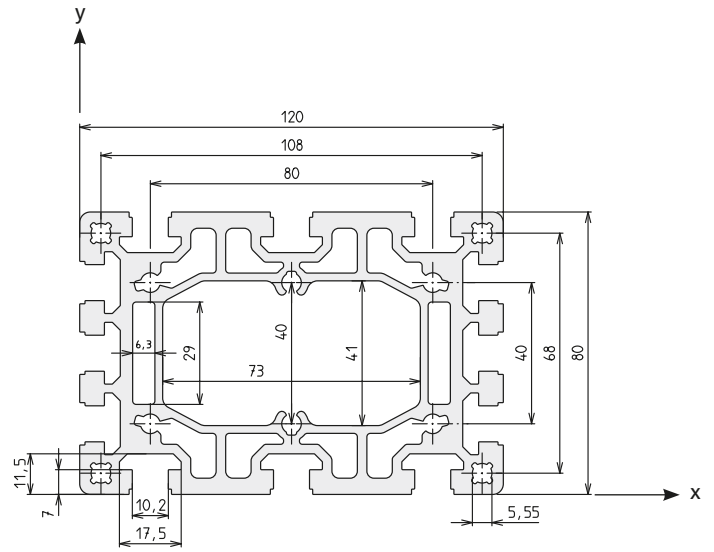
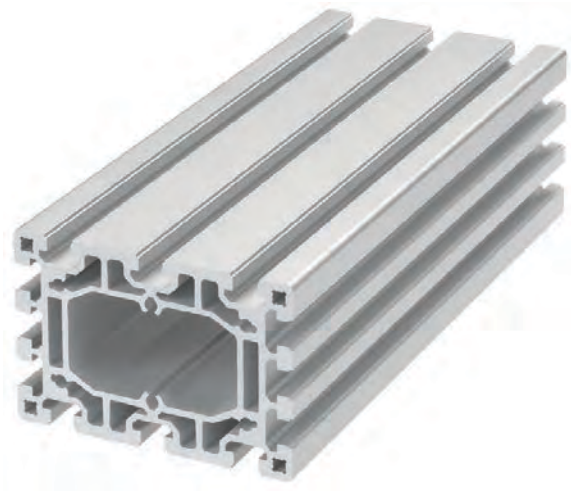
Code No. F-80x80/2-L profile			Anodised
4885000	Cut to size	max. 6000 mm	Clear
4885001	Bar	6000 mm	Clear
Connection	Quantity required per conn.	Connection to slot geometry	Code No. /unit
long. + transverse	2	30	4316706
	2	40	4246702

Area	1862	mm ²
I_x	144.5	cm ⁴
I_y	144.5	cm ⁴
W_x	36.1	cm ³
W_y	36.1	cm ³
Weight	5027	g/m

For description of slot geometry, please see page 26

Profiles / size 80

F-80x120



Area	3267	mm ²
I_x	242.5	cm ⁴
I_y	500.7	cm ⁴
W_x	60.6	cm ³
W_y	83.5	cm ³
Weight	8822	g/m

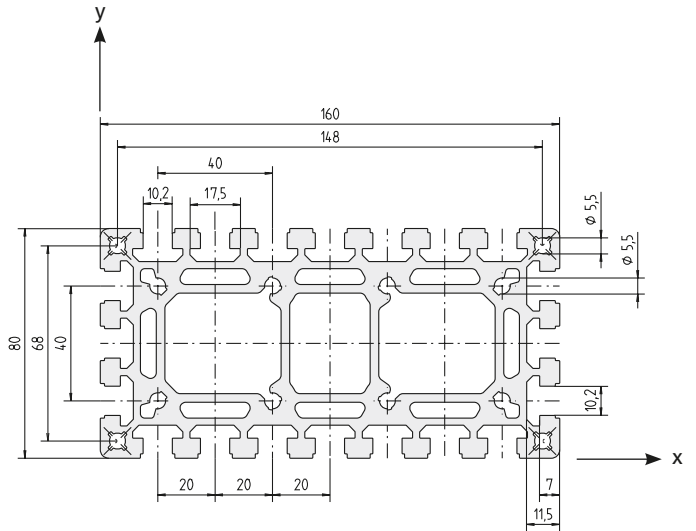
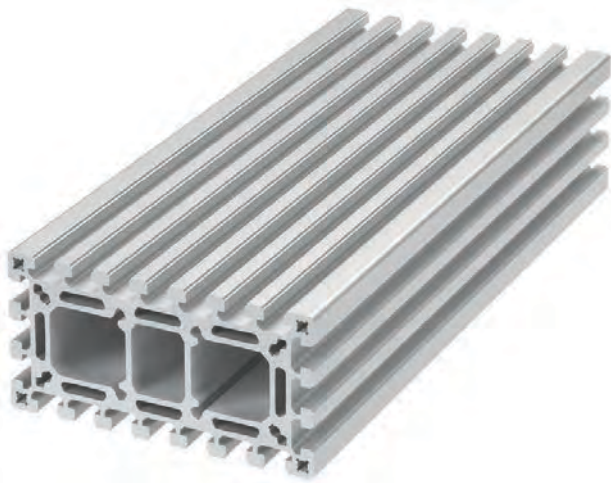
Code No. F-80x120 profile			Anodised
4685000	Cut to size	max. 6000 mm	Clear
4685001	Bar	6000 mm	Clear

Connection	Quantity required per conn.	Connection to slot geometry	Code No. /unit	
	long.	2	30	4326706
		2	40	4326702
	transverse	3	30	4316706
		3	40	4246702

For description of slot geometry, please see page 26



F-80x160



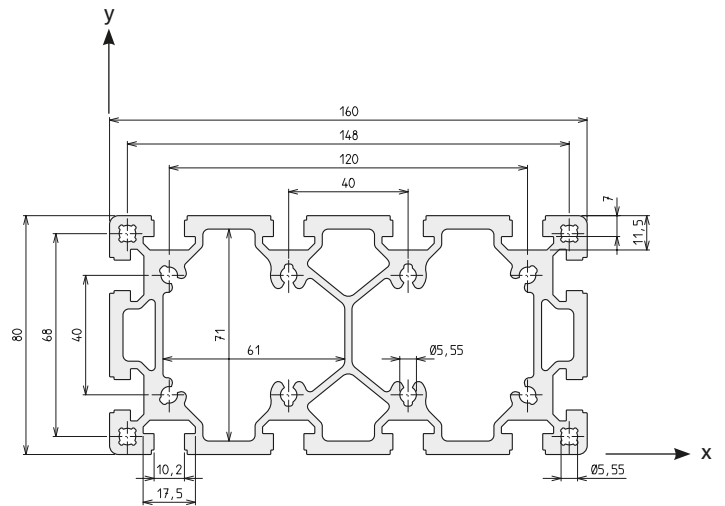
Area 4723 mm²
 I_x 314.6 cm⁴
 I_y 1126.9 cm⁴
 W_x 77.4 cm³
 W_y 140.9 cm³
 Weight 12753 g/m

Code No. Profile F-80x160			Anodised
4075000	Cut to size	max. 6000 mm	Clear
4075001	Bar	6000 mm	Clear

Connection	Quantity required per conn.	Connection to slot geometry	Code No. /unit
long.	2	30	4336706
	2	40	4336702
transverse	4	30	4316706
	4	40	4246702

For description of slot geometry, please see page 26

F-80x160-L



Area 3714 mm²
 I_x 291.3 cm⁴
 I_y 1024.6 cm⁴
 W_x 72.8 cm³
 W_y 128.1 cm³
 Weight 10028 g/m

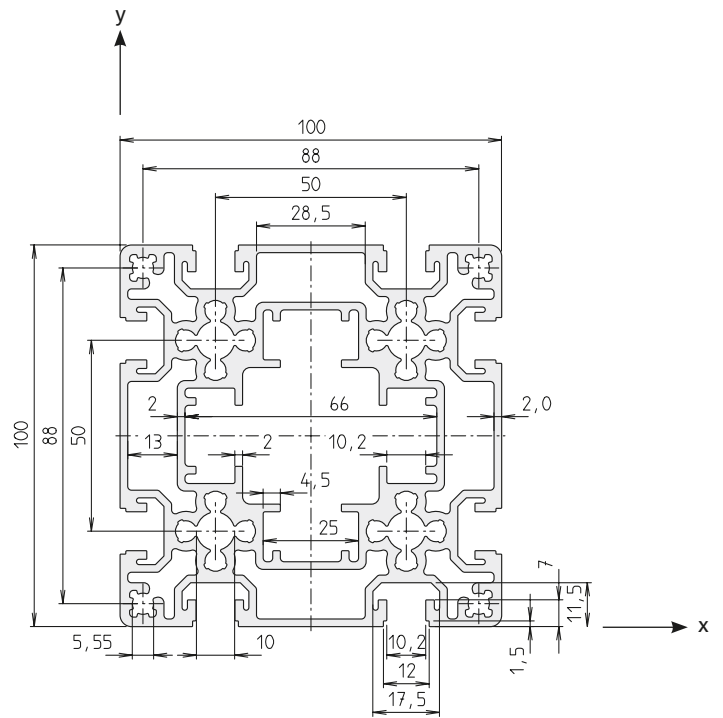
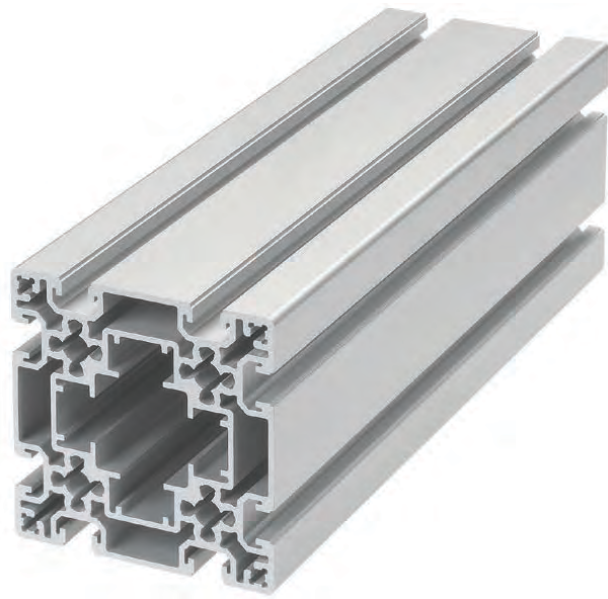
Code No. F-80x160-L profile			Anodised
4925000	Cut to size	max. 6000 mm	Clear
4925001	Bar	6000 mm	Clear

Connection	Quantity required per conn.	Connection to slot geometry	Code No. /unit
long.	2	30	4336706
	2	40	4336702
transverse	4	30	4316706
	4	40	4246702

For description of slot geometry, please see page 26

Profiles / size 100/120

F-100x100



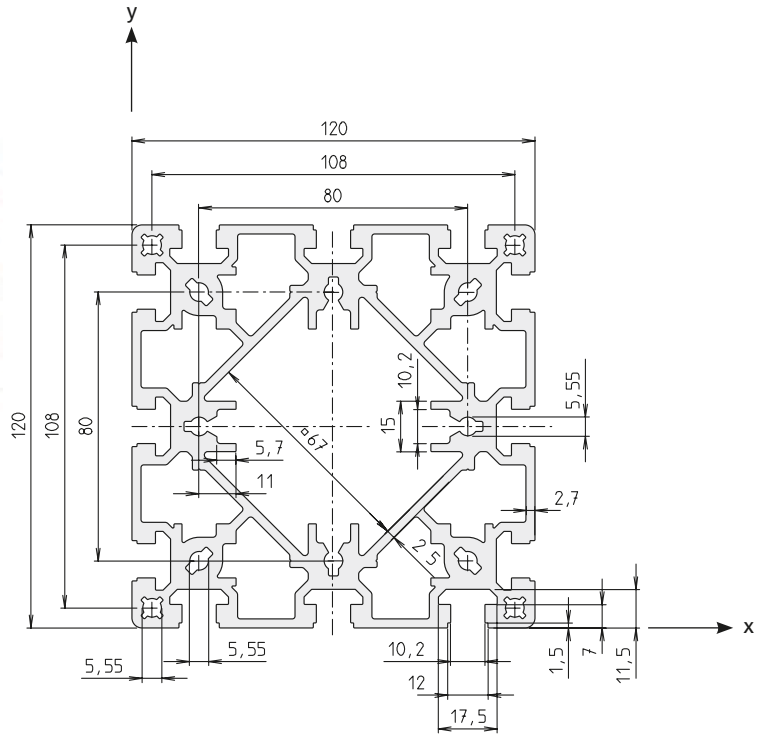
Area	2890	mm ²
I_x	304.1	cm ⁴
I_y	304.1	cm ⁴
W_x	60.8	cm ³
W_y	60.8	cm ³
Weight	7804	g/m

Code No. F-100x100 profile			Anodised
4695000	Cut to size	max. 6000 mm	Clear
4695001	Bar	6000 mm	Clear
Connection	Quantity required per conn.	Connection to slot geometry	Code No. /unit
 long. + transverse	4	30	4086706
	4	40	4086702

For description of slot geometry, please see page 26



F-120x120



Area	4259	mm ²
I _x	665.1	cm ⁴
I _y	665.1	cm ⁴
W _x	110.8	cm ³
W _y	110.8	cm ³
Weight	11500	g/m

Code No. F-120x120 profile			Anodised
4165000	Cut to size	max. 6000 mm	Clear
4165001	Bar	6000 mm	Clear
Connection	Quantity required per conn.	Connection to slot geometry	Code No. /unit
 long. + transverse	6	30	4816703
	6	40	4816702

For description of slot geometry, please see page 26

Right-angle connections

Versions



Flange bracket connection



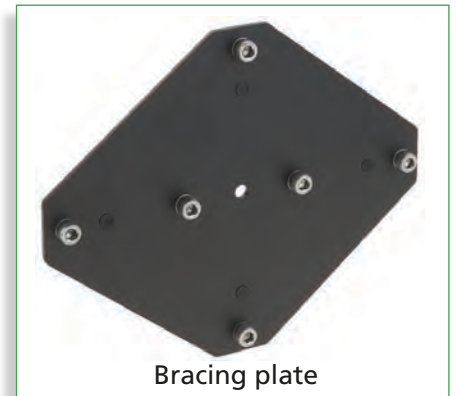
Slot stone -L/E-II



Hidden screw set -B-



Compatibility connector



Bracing plate



Connecting plate



Profile angle bracket



Angle brackets -cast-



Angle brackets -sheet steel-



Corner clamp WV

Table of contents

Connection techniques

Right-angle connections

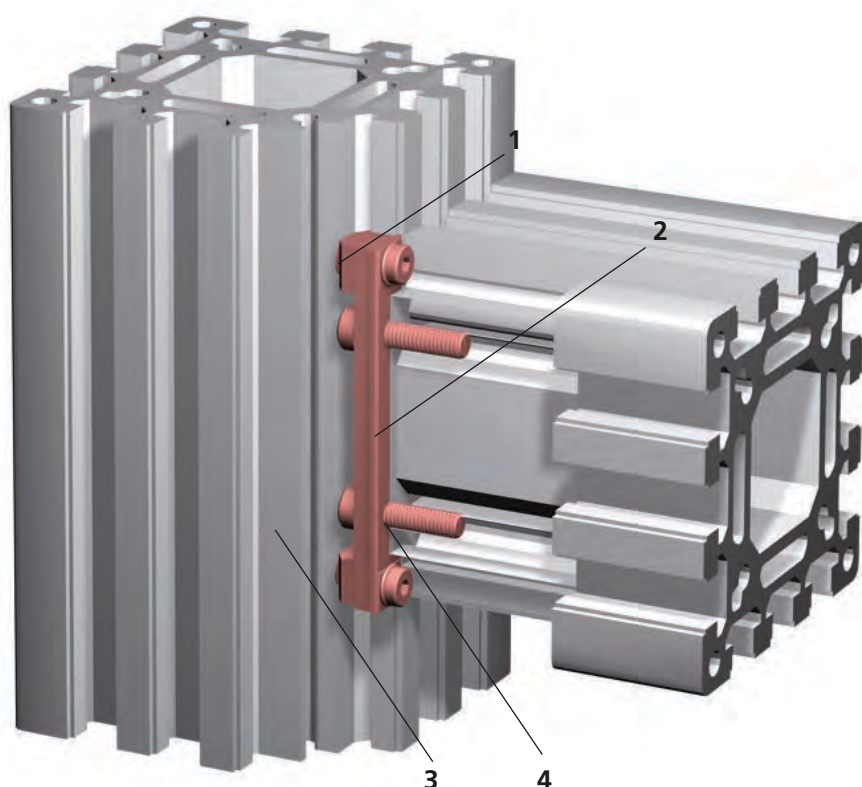
- Flange bracket connection p. 48
- Slot stone -L/E- II..... p. 52
- Hidden screw set -B- p. 52
- Compatibility connector p. 53
- Bracing plate p. 54
- Connecting plate..... p. 55
- Profile angle bracket p. 56
- Angle brackets -cast-..... p.58
- Angle brackets -sheet steel- p. 62
- Corner clamp WV p. 63

Right-angle connections

Flange bracket connection

■ The flange bracket (1) is the simplest and most cost-efficient method of connecting profiles.

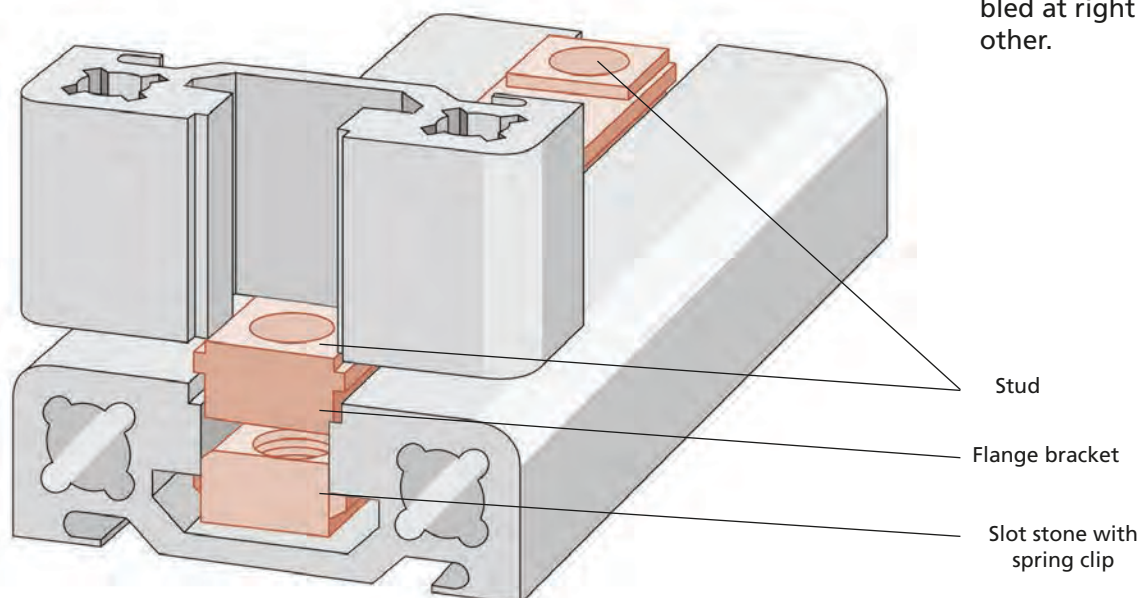
- No additional machining necessary
- Direct fixing in the profile screw channels
- Direct insertion of RK expansion screws or standard DIN socket head cap screws (2)
- Very stable
- Only a list of profile cut lengths is required
- Minimal effort required in construction
- Can be disconnected at any time



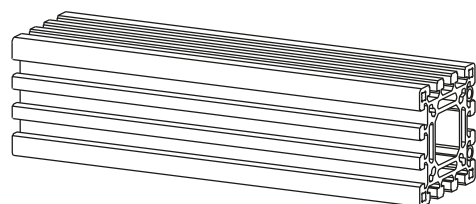
1. Flange bracket
2. Socket head cap screw/RK expansion screw
3. Slot stone with spring clip
4. Socket head cap screw

Position diagram

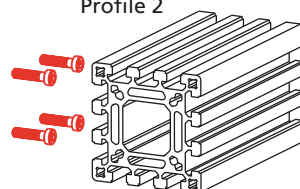
- The studs (see figure) centre the profiles in relation to one another, thus preventing torsion. This centring effect also allows the profiles to be assembled at right angles to each other.



Profile 1

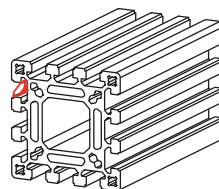
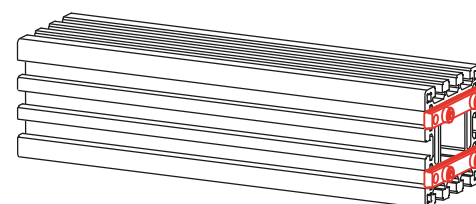


Profile 2



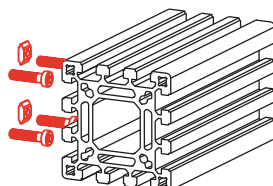
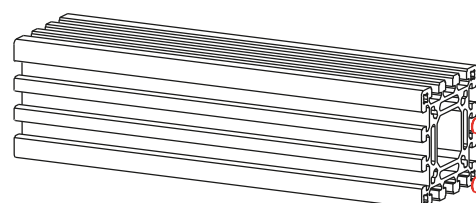
Step 1

Insert flange bracket (studs engage in profile slots) into profile 1 and tighten with hexagon socket keys, self-centred by studs – Gutting oil and using a drill make it easier to insert the screws.



Step 2

Slide/insert edge-first the slot stones with spring clip into profile 2 and slide them into the correct position.



Step 3

Put together profile 1 and profile 2 and connect the flange bracket to the slot stones with spring clip using fixing screws.

Right-angle connections

Flange brackets

- In the flange bracket sets, the standard -F- slot stones can be replaced by -L/E- slot stones with hole. This reduces the surface pressure.
- For static loads
- Suitable for slow dynamic loads with special RK expansion screw

Material: Galvanised steel

Flange bracket for static loads (For standard DIN screw, please see page 93)



Code No.	Type	To slot geometry	For profile (quantity required per connection)
4306709	30	30	F-30x30 (1x)
4306710	30	40	F-30x30 (1x)
4176704	30	30	F-30x60 (2x), F-30x80 (2x), F-30x100 (2x), F-30x120 (3x), F-30x160 (4x)
4176705	30	40	F-30x60 (2x), F-30x80 (2x), F-30x100 (2x), F-30x120 (3x), F-30x160 (4x)
4816703	40	30	F-40x40 (1x), F-40x40-L (1x), F-40x80 (2x), F-40x80-L (2x), F-40x80/3 (2x), F-40x120 (3x), F-40x120 (4x),
4816702	40	40	F-40x40 (1x), F-40x40-L (1x), F-40x80 (2x), F-40x80-L (2x), F-40x80/3 (2x), F-40x120 (3x), F-40x160 (4x),
4086706	50	30	F-50x50 (1x), F-50x50-L (1x), F-50x100 (2x), F-50x200 (2/4x), F-30x100 (2x), F-100x100 (4x)
4086702	50	40	F-50x50 (1x), F-50x50-L (1x), F-50x100 (2x), F-50x200 (2/4x), F-30x100 (2x), F-100x100 (4x)
4226706	60	30	F-30x60 (1x), F-60x60 (2x), F-60x60/1 (1x), F-60x60-L (1x), F-60x120 (4x)
4226702	60	40	F-30x60 (1x), F-60x60 (2x), F-60x60/1 (1x), F-60x60-L (1x), F-60x120 (4x)
4316706	80	30	F-30x80 (1x), F-40x80 (1x), F-40x80-L (1x), F-40x80/3 (1x), F-80x80 (2x), F-80x80/2 (2x), F-80x80/2-L (2x), F-80x80-L (1x), F-80x120 (3x), F-80x160 (4x), F-80x160 (4x)
4246702	80	40	F-30x80 (1x), F-40x80 (1x), F-40x80-L (1x), F-40x80/3 (1x), F-80x80 (2x), F-80x80/2 (2x), F-80x80/2-L (2x), F-80x80-L (1x), F-80x120 (3x), F-80x160 (4x), F-80x160-L (4x)
4326706	120	30	F-30x120 (1x), F-40x120 (1x), F-60x120 (2x), F-80x120 (2x)
4326702	120	40	F-30x120 (1x), F-40x120 (1x), F-60x120 (2x), F-80x120 (2x)
4336706	160	30	F-30x160 (1x), F-40x160 (1x), F-80x160 (2x), F-80x160-L (2x)
4336702	160	40	F-30x160 (1x), F-40x160 (1x), F-80x160 (2x), F-80x160-L (2x)



Flange bracket for dynamic loads
(For RK expansion screw, please see page 93)

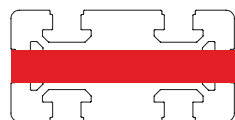


Code No.	Type	To slot geometry	For profile (quantity required per connection)
4816700	40	40	F-40x40 (1x), F-40x40-L (1x)
4086700	50	40	F-50x50 (1x), F-50x50-L (1x), F-50x100 (2x), F-50x200 (4x)
4226700	60	40	F-60x60 (2x), F-60x60/1 (1x), F-60x60-L (1x), F-60x120 (4x)
4246700	80	40	F-80x80 (2x), F-80x80/2 (2x), F-80x80/2-L (2x), F-80x80-L (1x), F-80x120 (3x), F-80x160 (4x), F-80x160-L (4x)
4326700	120	40	F-30x120 (1x), F-40x120 (1x), F-60x120 (2x), F-80x120 (2x)
4336700	160	40	F-30x160 (1x), F-40x160 (1x), F-80x160 (2x), F-80x160-L (2x)

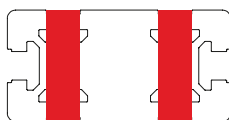
Order information

Each Code No. includes one flange bracket and fastenings.
Depending on the orientation of the connection (longitudinal or transverse), the appropriate number of flange brackets must be ordered.

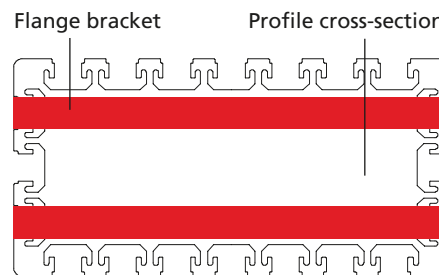
Required number of flange brackets to fully assemble two profiles.



F-40x80 profile
Connection -longitudinal-
(to 40 slot geometry) 1x
Code No. 4246702



F-40x80 profile
Connection -transverse-
(to 40 slot geometry) 2x
Code No. 4816702

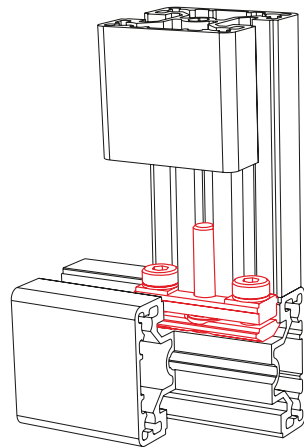
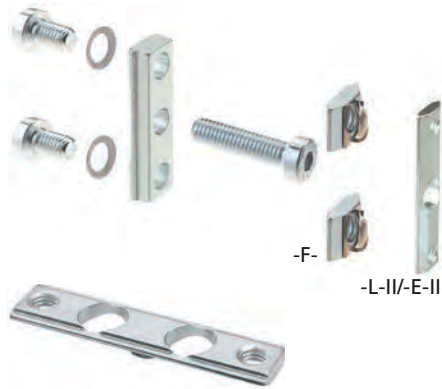


F-80x160 profile
For longitudinal connection
(to 40 slot geometry) 2x
Code No. 4336702



Right-angle connections

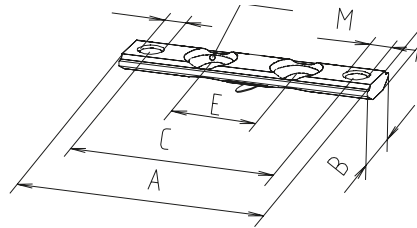
Slot stone -L/E- II (with hole)



■ In the flange bracket sets, the standard -F- slot stones can be replaced by -L/E- slot stones with hole.

■ The greater supporting surface reduces the surface pressure

Material: Galvanised steel



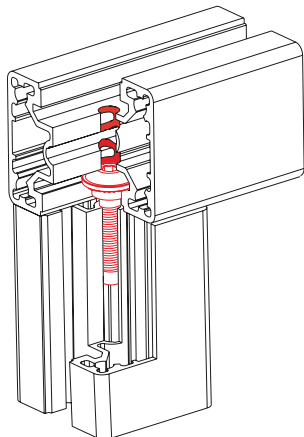
Only have one hole:
Slot stones -L- II types M5 / 29, M6 / 38
Slot stone -E- II type M6 / 38 [mm]

Code No.	Type	To slot geom.	A	B	C	D	E	F	M
Slot stone -L- II									
4006207	M5 / 29	30	29	12	21.5	4	0	8.5	M5
4016206	M6 / 38	40	38	14	28	4	0	10.2	M6
4016207	M6 / 48	40	48	14	38	4	15.5	10.2	M6
4016208	M6 / 58	40	58	14	48	4	20	10.2	M6
4046206	M6 / 78	40	78	14	68	4	40	10.2	M6
Slot stone -E- II (slide-in)									
4006224	M6 / 38	40	38	16.5	28	3.8	0	10.2	M6
4006239	M6 / 58	40	58	16.5	48	3.8	15.5	10.2	M6
4006240	M6 / 78	40	78	16.5	68	3.8	40	10.2	M6

Hidden screw set -B-



Ø 6 mm hole



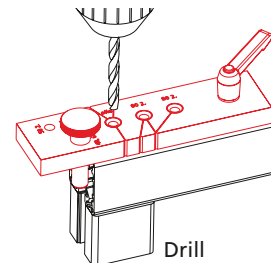
■ Cost-effective connection technique for profiles with 30 and 40 slot geometry

Material: Galvanised steel

■ Self-tapping – Threading not required

Assembly:

1. Drill a 6 mm hole (e.g. with RK drilling fixture) at the required position in the crossing profile
2. Insert the hidden screw into the profile slot as far as the hole
3. Insert T-handle key through the hole and into the shoulder screw and screw the two profiles to one another



Code No.	Type	Type
4006192	F-30x30	Hidden screw -B- M5x25, set of 10
4006193	F-30x30	Hidden screw -B- M5x25, set of 100
4006190	F-40x40	Hidden screw -B- M6x30, set of 10
4006191	F-40x40	Hidden screw -B- M6x30, set of 100
4016516		Drilling fixture for hidden screw -B-

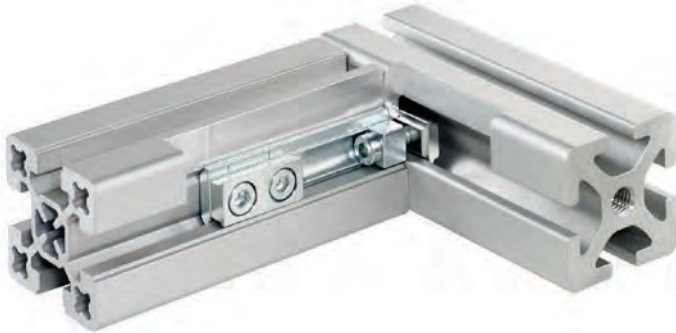


Compatibility connector 40

- The compatibility connector allows BLOCAN® profiles to be connected to aluminium profiles of other manufacturers.

Material: Galvanised steel

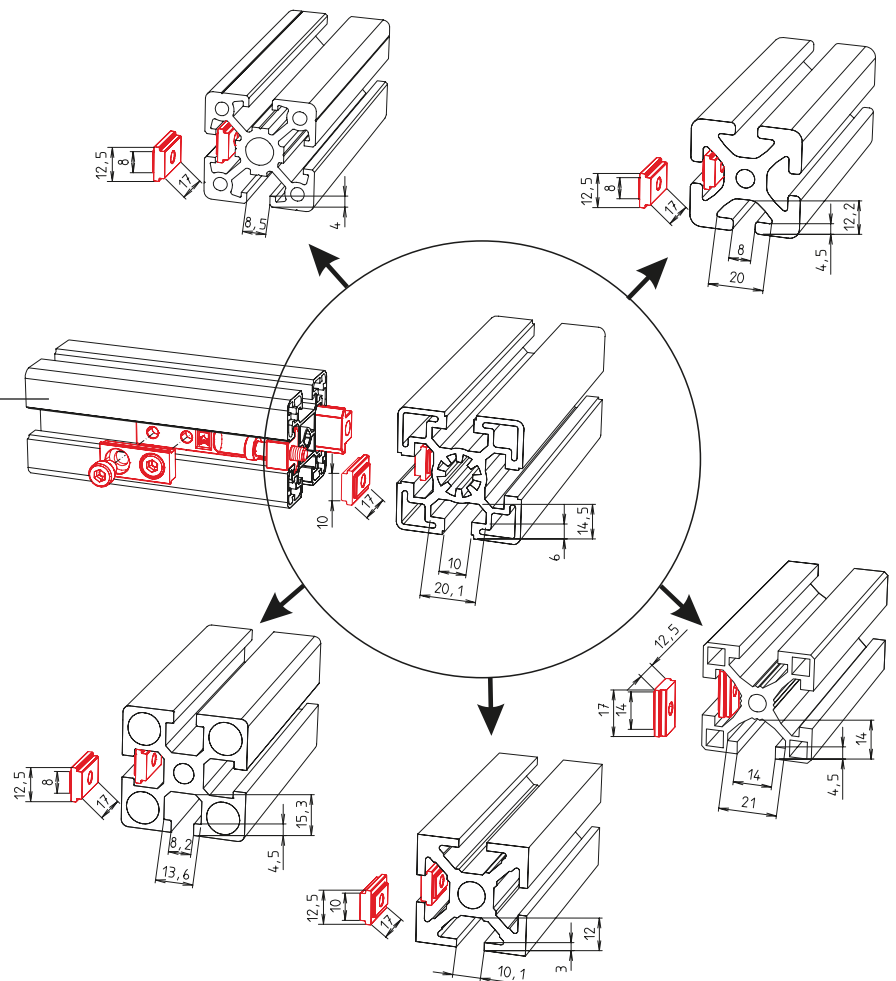
Includes: 2 connectors with fastenings



Code No.	Type	Suitable for slot widths
4016581	Compatibility connector 40	8, 10, 14 mm

Position diagram

RK profile, 40 slot geometry



Right-angle connections

Bracing plates

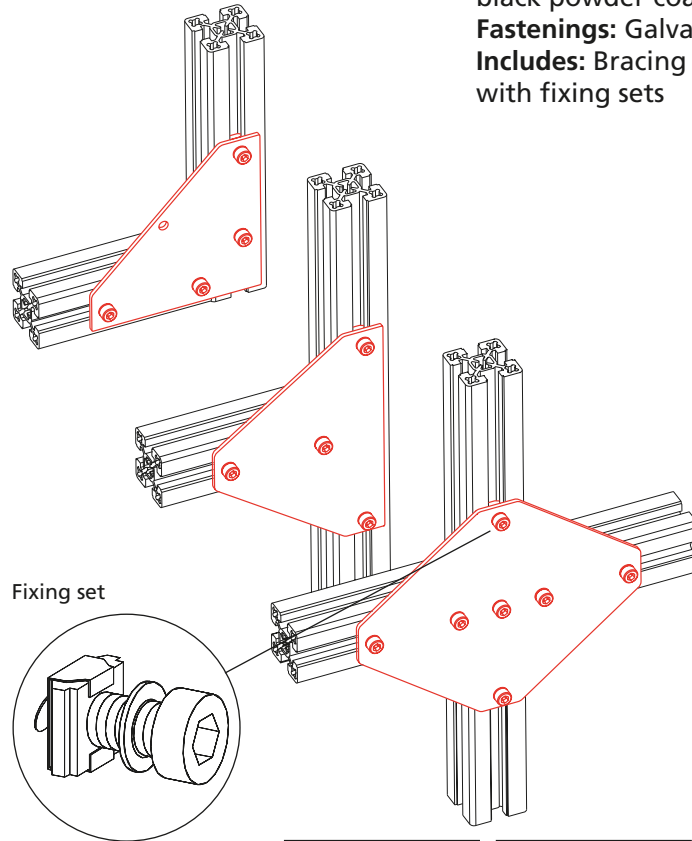
- Superficial bracing of the three most important junctions L, T, X
- Panels and wire mesh do not need to be notched, as is usually the case with angle brackets.

Material: Choice of aluminium or black powder-coated steel
Fastenings: Galvanised
Includes: Bracing plate complete with fixing sets

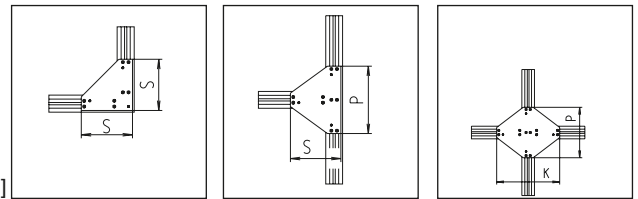
Aluminium



Steel



Fixing set



[mm]

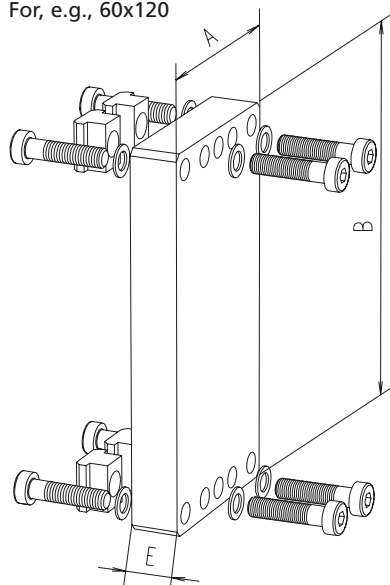
Code No.	Type	Material	Wall thickness	L	T	X
Version 1 8 9						
40021 <input type="checkbox"/> 1	30x30	St	3 mm	S = 90	S = 90 / P = 120	P = 120 / K = 150
40051 <input type="checkbox"/> 1	30x30	Al	6 mm	S = 90	S = 90 / P = 120	P = 120 / K = 150
40121 <input type="checkbox"/> 1	40x40, 40x40-L	St	3 mm	S = 120	S = 120 / P = 160	P = 160 / K = 200
40151 <input type="checkbox"/> 1	40x40, 40x40-L	Al	6 mm	S = 120	S = 120 / P = 160	P = 160 / K = 200
40821 <input type="checkbox"/> 1	F-50x50, F-50x50-L	St	4 mm	S = 150	S = 150 / P = 200	P = 200 / K = 250
40851 <input type="checkbox"/> 1	F-50x50, F-50x50-L	Al	8 mm	S = 150	S = 150 / P = 200	P = 200 / K = 250
42221 <input type="checkbox"/> 1	F-60x60-L, F-60x60/1	St	4 mm	S = 180	S = 180 / P = 240	P = 240 / K = 300
42251 <input type="checkbox"/> 1	F-60x60-L, F-60x60/1	Al	8 mm	S = 180	S = 180 / P = 240	P = 240 / K = 300
41221 <input type="checkbox"/> 1	60x60	St	4 mm	S = 180	S = 180 / P = 240	P = 240 / K = 300
41251 <input type="checkbox"/> 1	60x60	Al	8 mm	S = 180	S = 180 / P = 240	P = 240 / K = 300
40421 <input type="checkbox"/> 1	80x80, F-80x80/2-L	St	4 mm	S = 240	S = 240 / P = 320	P = 320 / K = 400
40451 <input type="checkbox"/> 1	80x80, F-80x80/2-L	Al	8 mm	S = 240	S = 240 / P = 320	P = 320 / K = 400
42421 <input type="checkbox"/> 1	F-80x80-L	St	4 mm	S = 240	S = 240 / P = 320	P = 320 / K = 400
42451 <input type="checkbox"/> 1	F-80x80-L	Al	8 mm	S = 240	S = 240 / P = 320	P = 320 / K = 400
40621 <input type="checkbox"/> 1	F-60x120	St	4 mm	S = 360	S = 360 / P = 480	P = 480 / K = 600
40651 <input type="checkbox"/> 1	F-60x120	Al	10 mm	S = 360	S = 360 / P = 480	P = 480 / K = 600
40721 <input type="checkbox"/> 1	F-80x160	St	4 mm	S = 480	S = 480 / P = 640	P = 640 / K = 800
40751 <input type="checkbox"/> 1	F-80x160	Al	10 mm	S = 480	S = 480 / P = 640	P = 640 / K = 800

Connecting plate



Slot stone -N-

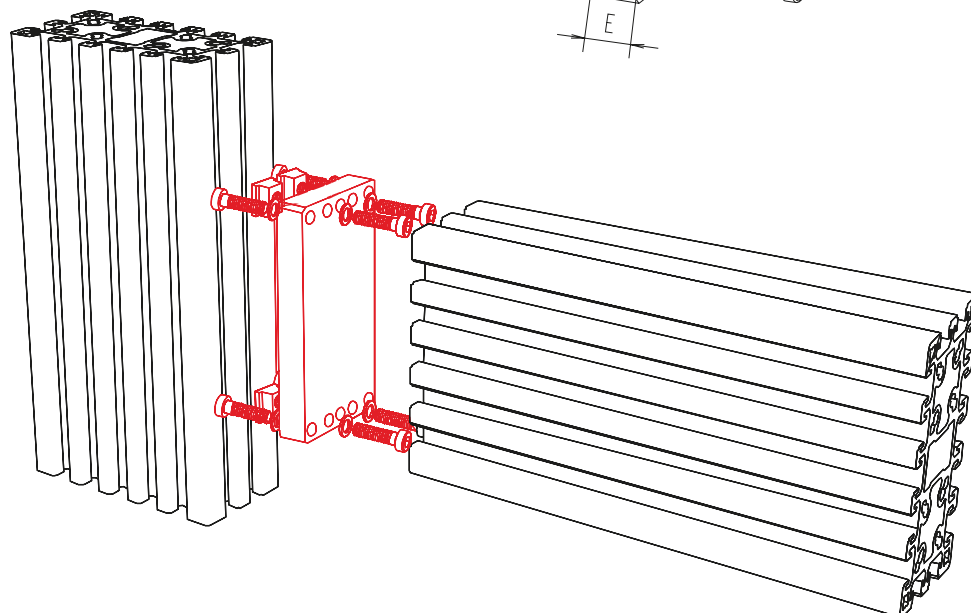
For, e.g., 60x120



- The connecting plates allow profiles to be fixed in the profile slots at the sides.

Material: Aluminium, galvanised fastenings

Includes: Connecting plate complete with accessories



[mm]

Code No.	Type	A	B	E
Connecting plate connection – face-to-slot				
4005412	30x30	30	30	15
4015412	40x40, 40x40-L	40	40	15
4645411	F-40x120	40	120	15
4655411	F-40x160	40	160	15
4085412	F-50x50, F-50x50-L	50	50	15
4665411	F-50x100	50	100	15
4675411	F-50x200	50	200	15
4225412	F-60x60-L, F-60x60/1	60	60	15
4125412	60x60	60	60	15
4065411	F-60x120	60	120	15
4035412	40x80	40	80	15
4045412	80x80	80	80	15
4245412	F-80x80-L	80	80	15
4685411	F-80x120	80	120	15
4075411	F-80x160	80	160	15
4695411	F-100x100	100	100	15

Right-angle connections

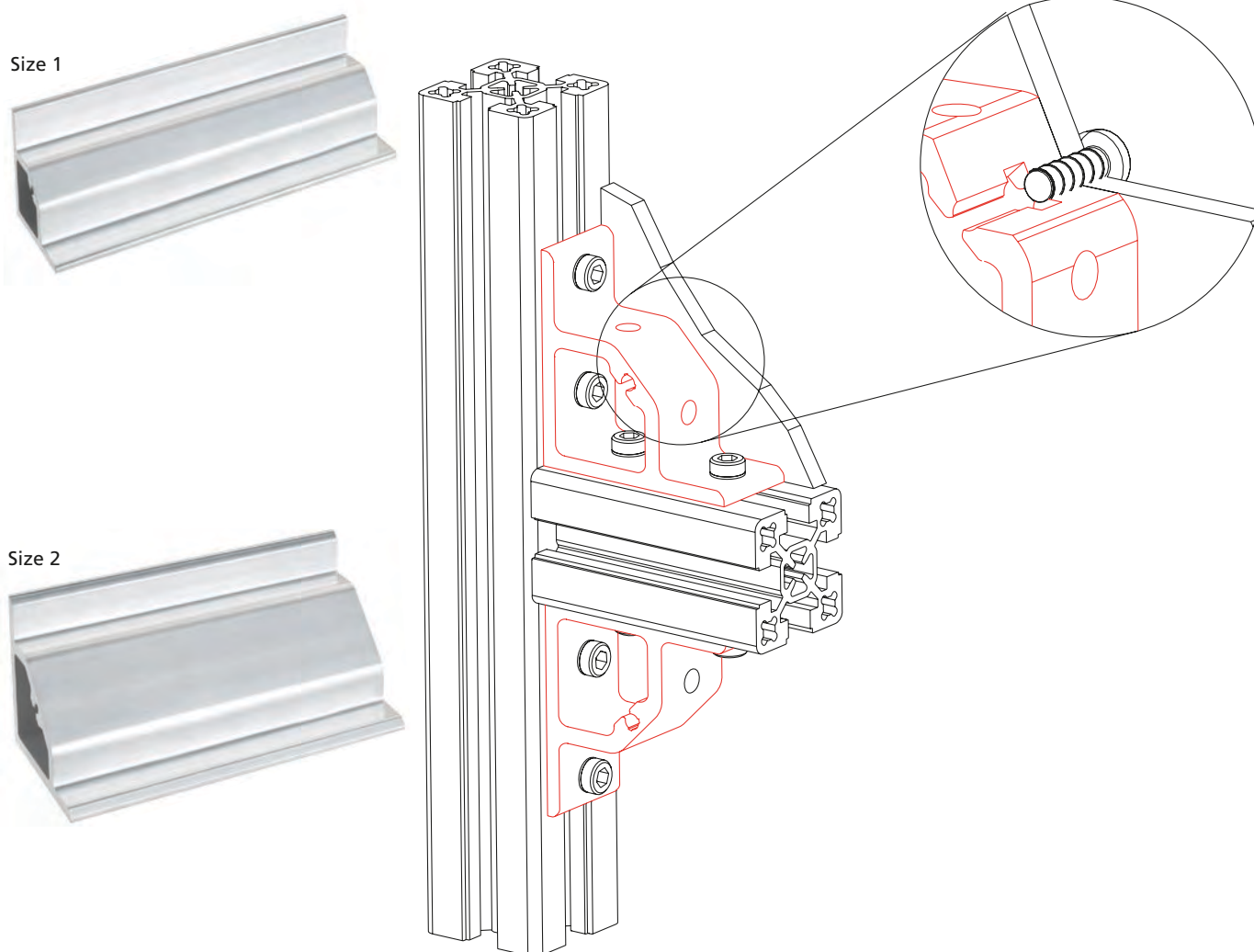
Profile angle bracket Bar material

- Made from aluminium extruded profiles.
- With integrated screw channel for fastening panels.

Material: Aluminium, clear anodised profile angle bracket
Non-anodised bar
Angle tolerance $90^{\circ} \pm 5'$.

Fixing sets:
The angle brackets can be screwed to the profile with the fixing sets. Further slot stone types can be found on page 82.

Includes:
1 screw with washer and slot stone.



For dimension table, please see opposite page

Code No.	Version			
4010102	Size 1	Cut to size	max. 3000 mm	Non-anodised
4010103		Bar	3000 mm	Non-anodised
4030102	Size 2	Cut to size	max. 3000 mm	Non-anodised
4030103		Bar	3000 mm	Non-anodised

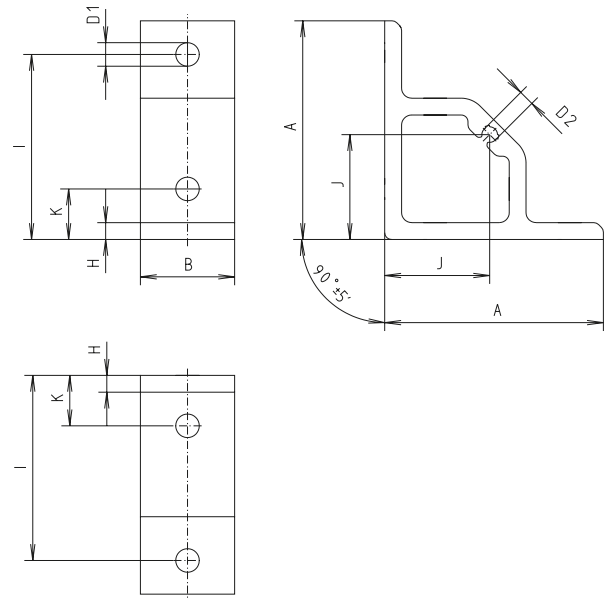
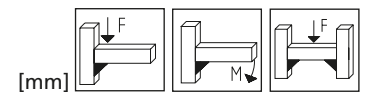
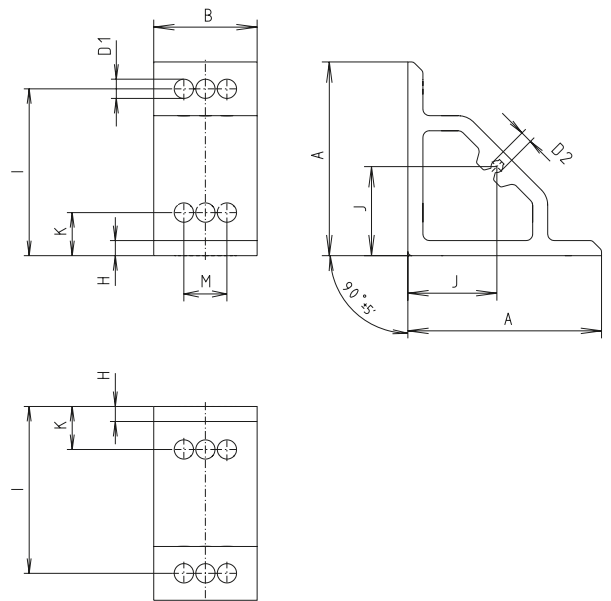
Profile angle bracket, size 1

Profile angle bracket, size 2

Figure shows type 40



Code No.	Type	Version	A	B	D1	D2	H	I	J	K	M	F [N]	M [Nm]	F [N]
4015101	40	Size 1	64.15	28	7	4.65	4.15	55	30.3	20	–	2500	25	5200
4085101	50	Size 1	64.15	38	7	4.65	4.15	55	30.3	15	–	2500	25	5200
4035101	40	Size 2	89.3	28	9	5.55	6.3	77.5	40.65	20	–	2500	25	5200
4125101	60	Size 2	89.3	48	9	5.55	6.3	77.5	40.65	20	20	5670	150	11550
4145101	80	Size 2	89.3	68	9	5.55	6.3	77.5	40.65	20	40	5670	150	11550

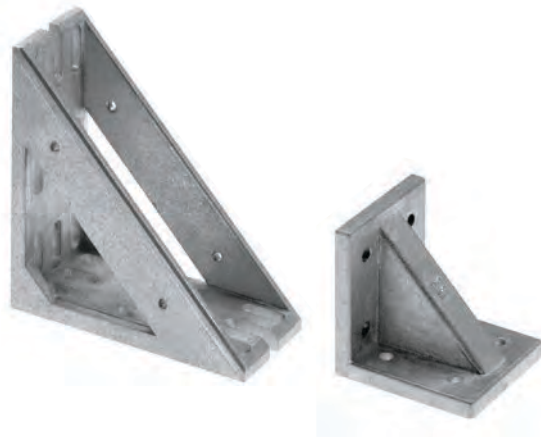
Code No.	Size	Version	Code No.	Size	Version	Code No.	Size	Version
Fixing sets (1 slot stone with screw, washer)								
4015105	1	M6x16, slot stone -N-	4015106	1	M6x16, slot stone -K-	4015107	1	M6x16, slot stone -R-
4035110	2	M8x18, slot stone -N-	4035111	2	M8x18, slot stone -K-	4035112	2	M8x18, slot stone -R-

Right-angle connections

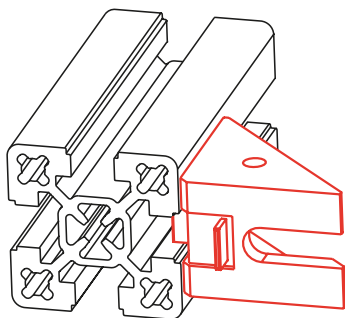
Angle brackets -cast-

- A centring rib simplifies assembly and prevents angle bracket torsion. If necessary, this rib can be bent with a pliers.
- Angle tolerance $90^\circ \pm 5'$

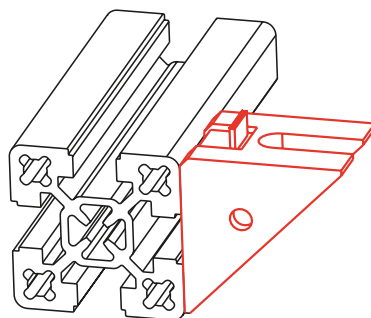
Material:
Gravity die-cast aluminium



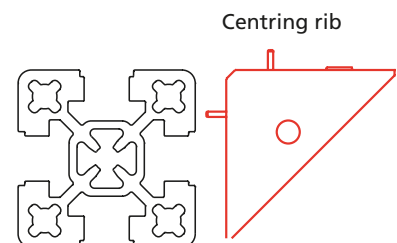
Material:
Die-cast zinc



Angle bracket along the profile:
Angle bracket is centred in the profile slot and prevents torsion.

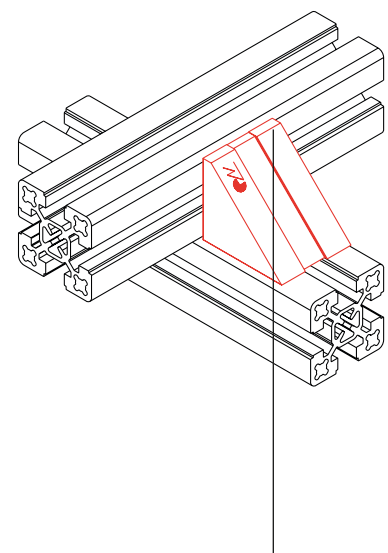
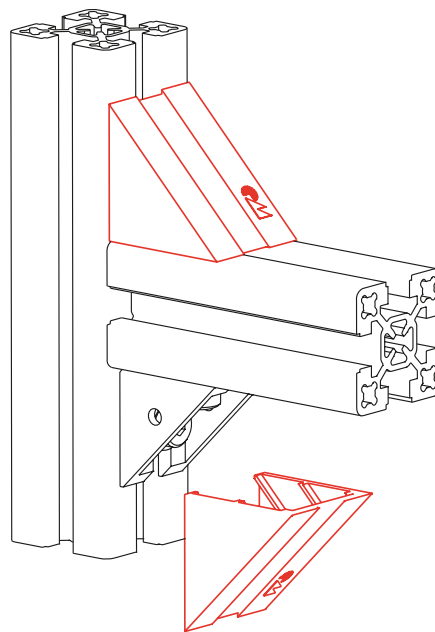


Angle bracket perpendicular to the profile:
Centring rib must be bent.



Plastic cover for angle brackets

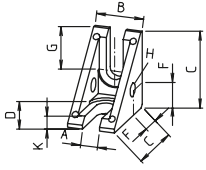
- For aesthetic effect or to protect against soiling, plastic covers may be placed on the angle brackets.
Material: Black polyamide plastic



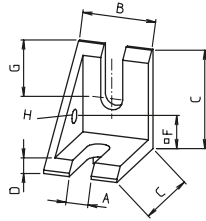
One side with chamfer for crossing connection with one angle bracket 40x40-2

Code No.	Type
4008101	For angle bracket 30x30 (2 braces)
4018102	For angle bracket 40x40 (2 braces)
4018103	For angle bracket 40x40 (2 braces) with chamfer for crossing connection
4028101	For angle bracket 50/60

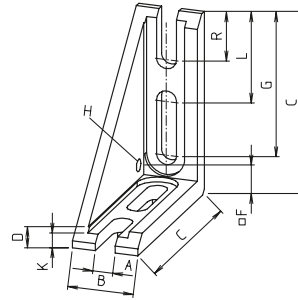
Right-angle connections



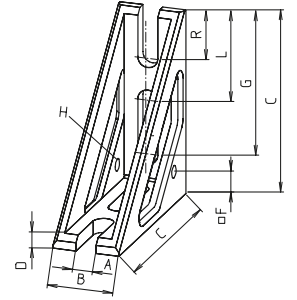
Angle brackets 30 + 40
Die-cast zinc



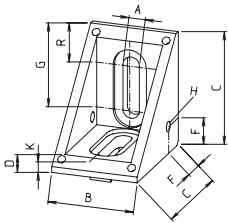
Angle bracket 40-1
Die-cast zinc



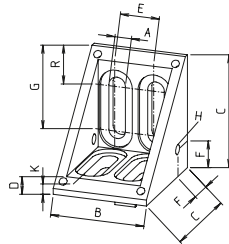
Angle bracket 40x80-1
Die-cast zinc



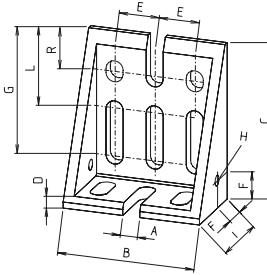
Angle bracket 40x80
Gravity die-cast aluminium



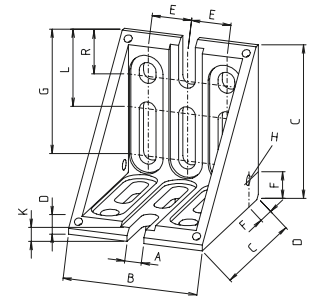
Angle bracket 50/60
Die-cast zinc



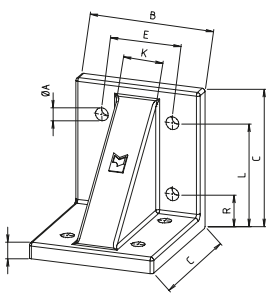
Angle bracket F-60x60
Die-cast zinc



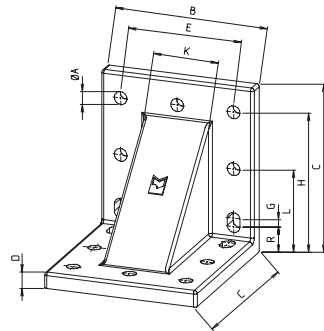
Angle bracket 80x40x80
Gravity die-cast aluminium



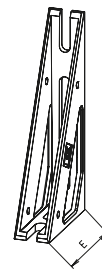
Angle bracket 80
Die-cast zinc



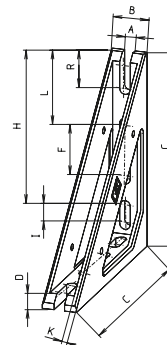
Angle bracket 100
Gravity die-cast aluminium



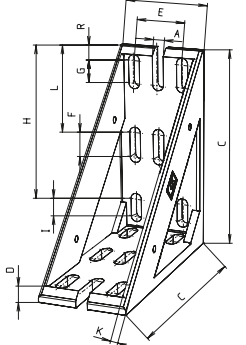
Angle brackets 120 + 160
Gravity die-cast aluminium



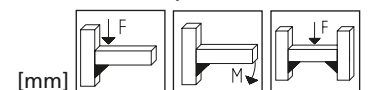
Angle bracket 40x80x160
Gravity die-cast aluminium



Angle bracket 40x160
Gravity die-cast aluminium



Angle bracket 80x160
Gravity die-cast aluminium



Code No.	Type	Version	A	B	C	D	E	F	G	H	I	O	L	R	F [N]	M [Nm]	F [N]
Cast angle bracket																	
4004101	30	2 braces	6.5	18	29	5	-	10	15	5.2	-	4	-	-	1100	20	2600
4014101	40-1	1 brace	8.4	28	38	5	-	14	19	5.2	-	-	-	-	2200	45	4000
4014102	40	2 braces	8.4	28	38	5	-	14	19	5.2	-	-	-	-	2200	60	4000
4024101	50/60	2 braces	8.5	44	58	8	-	14	41	5.2	-	6	-	18	4500	280	8000
4124101	F-60x60	2 braces	8.5	48	58	8	20	14	40	5.2	-	6	-	17	4500	280	8000
4044102	80x40x80	2 braces	8.5	68	78	6	20	14	61	5.2	38	-	38	19	3000/4300	180/200	4000/14700
4044101	80	2 braces	8.5	68	78	8	20	14	61	5.2	-	6	38	20	9200	550	14700
4034101	40x80-1	1 brace	8.5	28	78	8	-	14	61	5.2	-	6	38	20	3700	180	6500
4034100	40x80	2 braces	8.5	28	78	6	-	14	61	5.2	-	-	38	20	1300	180	4600
4695100	100	-	9	88	98	11	50	-	-	-	-	28	75	25	8800	700	13200
4165100	120	-	9	108	118	11	80	-	5	100	-	46	60	20	14500	1200	21750
4014100	40x80x160	2 braces	8.5	28	158	6	78	45	-	123	15	4	56	28	1600/2500	180	-
4654100	40x160	2 braces	8.5	28	158	11	-	45	-	123	15	4	56	28	2500	250	-
4444100	160	-	9	148	158	11	120	-	5	140	-	78	80	20	16800	1700	25200
4074100	80x160	2 braces	9	68	158	11	40	20	18	95	15	5.5	70	12	12800	1500	19200

Fixing sets

Fixing sets:

The angle brackets can be screwed to the profile with the fixing sets.

Material: Galvanised steel

Further slot stone types can be found on page 82 - 91

Includes: 1 screw with washer and slot stone.



Fixing set with slot stone -N- (slot stone is slid into the slot from the side)



Fixing set with slot stone -K- (slot stone can be inserted edge-first into the slot retrospectively)



Fixing set with slot stone -R- (slot stone can be inserted into the slot retrospectively and twisted into position)

Code No.	Type	Version
Fixing sets		
4004110	30	M6x12, slot stone -N-
4026208	40	M8x16, slot stone -N-
4026202	50-80 + 40x80x160	M8x18, slot stone -N-
4694110	100-160 (except 40x80x160)	M8x22, slot stone -N-
4004111	30	M6x12, slot stone -K-
4014111	40	M8x16, slot stone -K-
4024111	50-80 + 40x80x160	M8x18, slot stone -K-
4694111	100-160 (except 40x80x160)	M8x22, slot stone -K-
4004112	30	M6x12, slot stone -R-
4026209	40	M8x16, slot stone -R-
4026210	50-80 + 40x80x160	M8x18, slot stone -R-
4694112	100-160 (except 40x80x160)	M8x22, slot stone -R-

Right-angle connections

Angle bracket -sheet steel-

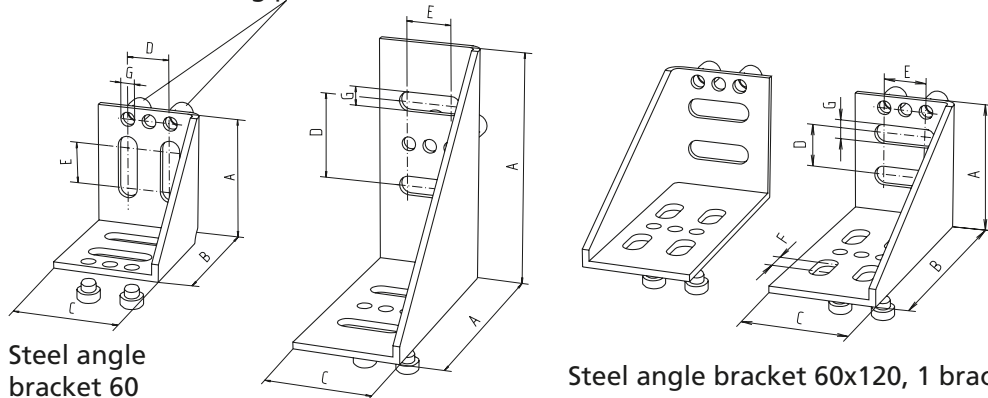


Steel angle bracket: St 37, 3 mm thick

Material:
Powder-coated steel

Includes:
Complete with slot centring pins

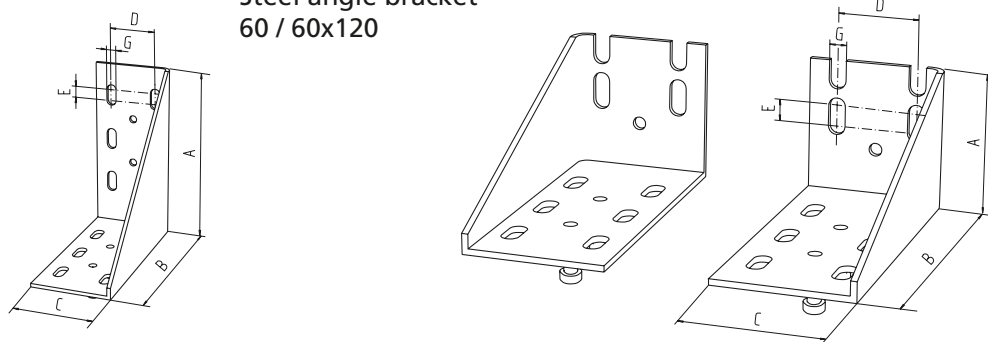
Slot centring pins



Steel angle bracket 60

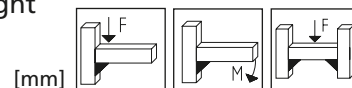
Steel angle bracket 60x120, 1 brace left or right

Steel angle bracket 60 / 60x120



Steel angle bracket 80 / 80x160

Steel angle bracket 60x160, 1 brace left or right



Code No.	Type	Version	A	B	C	D	E	F	G	H	R	F [N]	M [Nm]	F [N]
Steel angle bracket -3 mm sheet steel-														
4120101	60	1 brace	58	58	48	20	20	-	9	-	-	2100	100	-
4060101	60/60x120	1 brace	108	108	48	20	20	-	9	-	-	2600	210	-
4060102	60x120	1 brace right	58	108	48	40	20	10	9	-	-	2600	130	-
4060103	60x120	1 brace left	58	108	48	40	20	10	9	-	-	2600	130	-
4070101	80/80x160	1 brace	148	148	68	40	10	-	9	-	-	8320	450	-
4070102	80x160	1 brace right	68	148	68	40	10	-	9	-	-	4200	250	-
4070103	80x160	1 brace left	68	148	68	40	10	-	9	-	-	4200	250	-

Fixing sets

Fixing sets:

The angle brackets can be screwed to the profile with the fixing sets.

Further slot stone types can be found on page 82 - 91

Material: Galvanised steel

Includes: 1 screw with washer and slot stone.



Fixing set with slot stone -N- (slot stone is slid into the slot from the side)



Fixing set with slot stone -K- (slot stone can be inserted edge-first into the slot retrospectively)



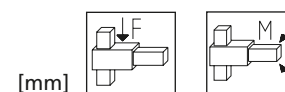
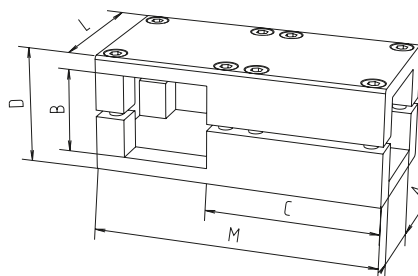
Fixing set with slot stone -R- (slot stone can be inserted into the slot retrospectively and twisted into position)

Code No.	Type	Version
Fixing sets		
4120110	All	M8x14, slot stone -N-
4120111	All	M8x14, slot stone -K-
4120112	All	M8x14, slot stone -R-

Corner clamp WV

Material: Aluminium, stainless steel fixing.

For further clamping elements, please refer to the catalogue "Connecting Technology"



Code No.	Type	Version	A	B	C	D	L	M	F [N]	M [Nm]
513000050300	WV 30	30.2	30.2	30.2	69	42	56	112	2500	330
514000050300	WV 40	40.3	40.3	40.3	82	56	68	136	3200	980
515000050300	WV 50	50.4	50.4	50.4	102	70	85	170	-	-
516000050300	WV 60	60.4	60.4	60.4	127	79	105	210	-	-

Cross connections

Versions



Table of contents

Connection techniques

Cross connections

- Keyed clamp connector -Q-from p. 66
- Mitre joint -transversal-from p. 66
- Cross clamp -KV-from p. 67

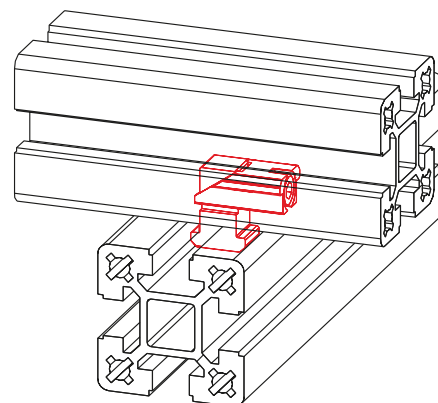
Cross connections

Keyed clamp connector -Q-



- Simple realisation of cross connections by bracing the profiles
- No profile machining necessary

Material: Galvanised steel
Includes: Complete fixing set for one connection



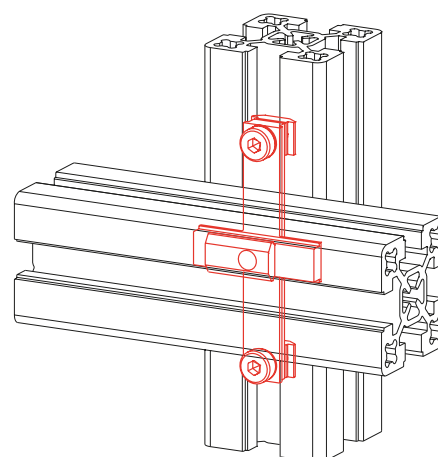
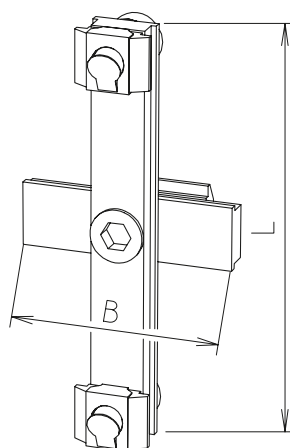
Code No.	Type
4016521	40 slot geometry

Mitre joint -transversal-

- For connecting crossing profiles
- For retrofitting in structures
- Profile alignment not necessary

Includes: Complete fixing set for one connection

Material: Galvanised steel

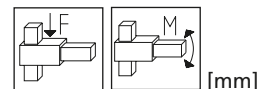
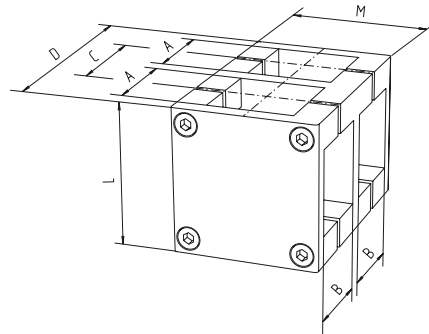
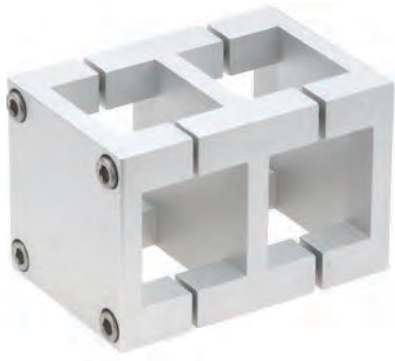


Code No.	Type	B	L	Version
4026502	60/80	40	102	With slot stone -F-
4026512	60/80	40	102	With slot stone -L-
4016502	40/50	40	78	With slot stone -F-
4016512	40/50	40	78	With slot stone -L-



Cross clamp KV

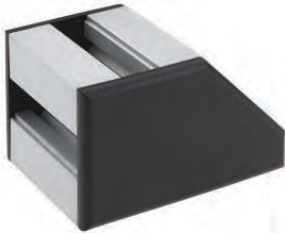
Material: Aluminium.
Stainless steel fixing
For further clamping elements,
please refer to the catalogue
"Connecting Technology"



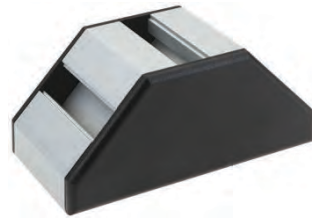
Code No.	Type	A	B	C	D	L	M	F [N]	M [Nm]
503000050300	KV 30	30.2	30.2	36	78	56	56	2800	280
504000050300	KV 40	40.3	40.3	48	104	68	68	2800	680
505000050300	KV 50	50.4	50.4	60	130	85	85	-	-
506000050300	KV 60	60.4	60.4	72	169	105	105	-	-

Angle connections

Versions



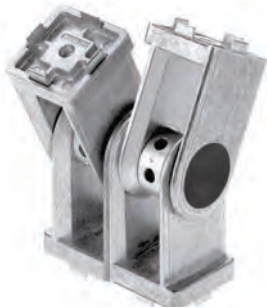
Frame joint 2x40



Frame joint 3x40



Profile hinge -E-



Double profile joint -E-



Profile hinge



Double profile joint



Mitre joint -W1-



Mitre joint -W2-



Steel swivel

Table of contents

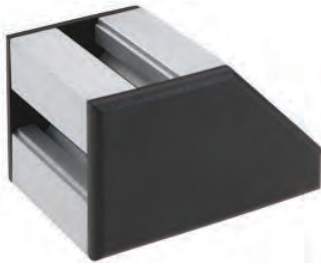
Connection techniques

Angle connections

- Frame joint 2x40 p. 70
- Frame joint 3x40 p. 70
- Profile hinge -E- p. 71
- Double profile joint -E- p. 71
- Profile hinge..... p. 72
- Double profile joint p. 72
- Mitre joint -W1- p. 73
- Mitre joint -W2- p. 73
- Steel swivel p. 74

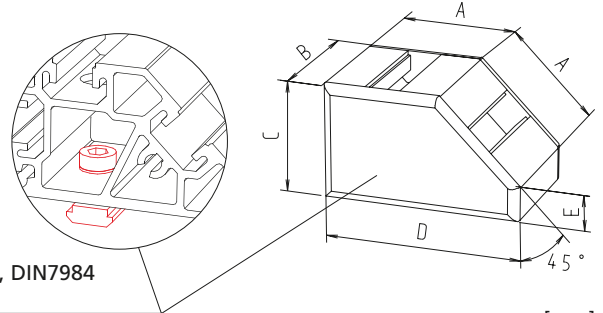
Angle connections

Frame joint 2x40



- Frame joint with 2 connecting options 40x40 and/or 40x80, each set at 45°.
- Complete with fixing set.

Material: Aluminium.
Plastic cover plates
Cut to required length.



Fixing set:
Socket head cap screw, M6x12, DIN7984
Lock washer, slot stone -N-

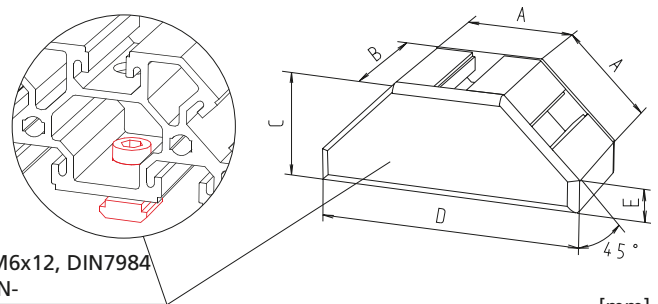
Code No.	Type	A	B	C	D	E
4155650	40	40	40	40	68	11.8
4155651	40x80	40	80	40	68	11.8

Frame joint 3x40



- Frame joint with 3 connecting options 40x40 and/or 40x80, each set at 45°.
- Complete with fixing set.

Material: Aluminium.
Plastic cover plates
Cut to required length.



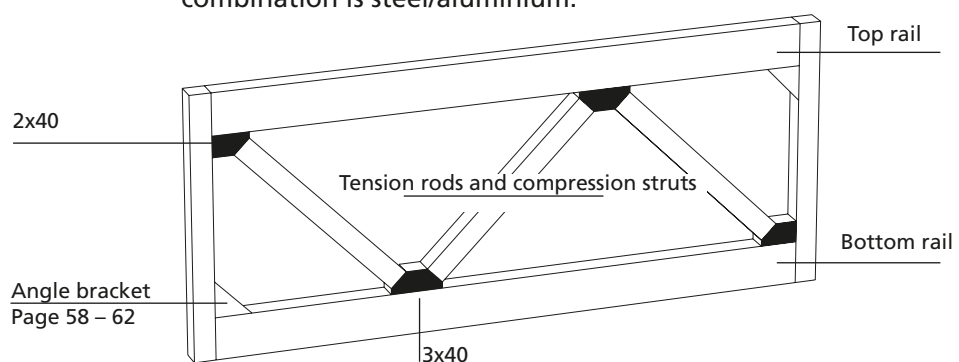
Fixing set:
Socket head cap screw, M6x12, DIN7984
Lock washer, slot stone -N-

Code No.	Type	A	B	C	D	E
4255650	40	40	40	40	96.6	11.8
4255651	40x80	40	80	40	96.6	11.8

Position diagram

- With unsupported lengths and dynamic alternating stresses, bracing elements should be added because the material combination is steel/aluminium.

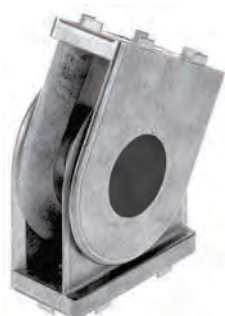
- Such elements may be angle brackets, bracing plates and cross strut profiles as are typically used in framework.



Profile hinge -E-



30x30 / 40x40

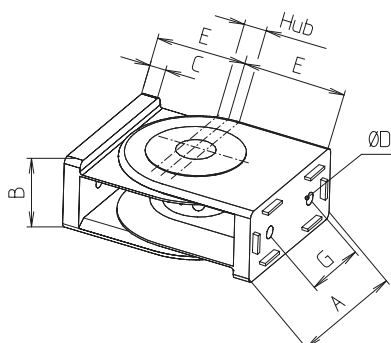


30x60 / 40x80

- These die-cast hinges feature eccentric height compensation.

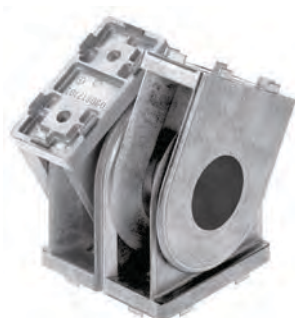
Material: Die-cast zinc hinge, galvanised steel eccentric bolt and fastenings

Includes: Does not include fixing set (see table)

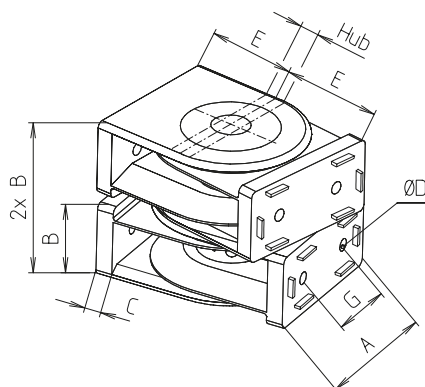


Code No.	Type	Pivoting range	Travel	A	B	C	D	E	G
4032550	Hinge 30x30	250°	4	30	30	8	6.1	42	0
4032570	Hinge 30x60	180°	4	60	30	8	6.1	42	20
4000530	Fixing set to 30 slot geometry								
4010530	Fixing set to 40 slot geometry								
4030530	Face-to-face fixing set to profile F-30x60								
4012520	Hinge 40x40	250°	4	40	40	9	6.6	52	0
4032540	Hinge 40x80	180°	4	80	40	9	6.6	52	40
4000521	Fixing set to 30 slot geometry								
4010521	Fixing set to 40 slot geometry								
4810520	Face-to-face fixing set to type 40								

Double profile joint -E-



40x80



Material: Die-cast zinc hinge, galvanised steel eccentric bolt and fastenings

Includes: Does not include fixing set (see table)

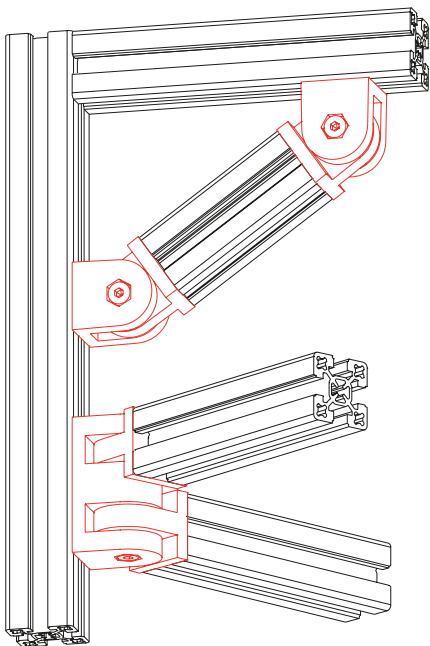
Code No.	Type	Pivoting range	Travel	A	B	C	D	E	G
4042520	Double joint 40x80	180°	4	80	40	9	6.6	52	40
4000521	Fixing set to 30 slot geometry								
4010521	Fixing set to 40 slot geometry								
4810520	Face-to-face fixing set to type 40 profile F-40x40/F-40x40-L								

Note: A fixing set contains material for connecting one profile. Thus, for a double joint, 4 fixing sets are required.

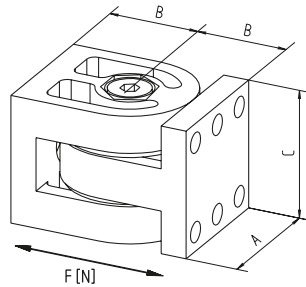
Angle connections

Profile hinge

F-40, figure with slot-to-slot fixing set



- Depending on the fixing set, the profile hinge can be used with the profiles given below
- The hinge can be infinitely adjusted through 180° and fixed in any position using a clamping screw.



Material: Aluminium
Galvanised fastenings

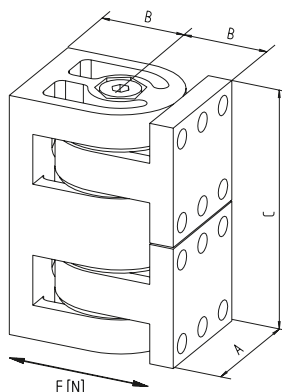
Includes:

Complete with fixing set (see table)

Code No.	Type	Fixing set	A	B	C	F [N]
4015550	Profile hinge F-40	without fixing set	40	28	40	1500
4015551		Face-to-face	40	28	40	1500
4015552		Slot-to-slot	40	28	40	1500
4015553		Face-to-slot	40	28	40	1500
4035550	Profile hinge F-40x80	without fixing set	40	28	80	3000
4035551		Face-to-face	40	28	80	3000
4035552		Slot-to-slot	40	28	80	3000
4035553		Face-to-slot	40	28	80	3000
4016665	Lever for hand adjustment 40					
4019666	Lever for hand adjustment 40x80					

Double profile joint

F-40x80-2, figure with face-to-slot fixing set



Material: Aluminium,
galvanised fastenings

Includes:

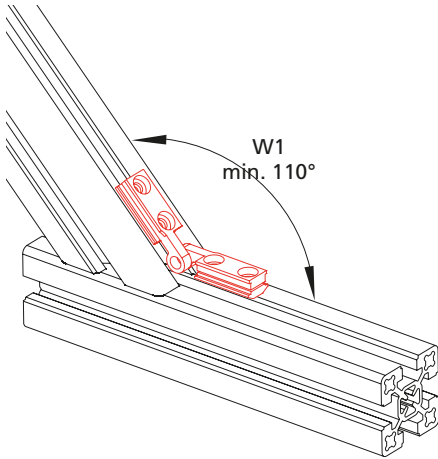
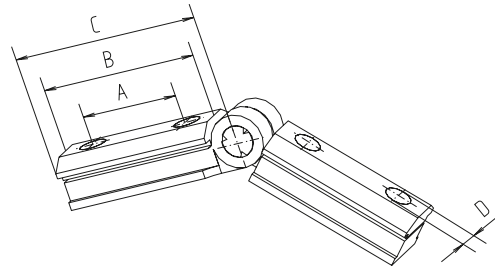
Complete with fixing set (see table)

Code No.	Type	Fixing set	A	B	C	F [N]
4035555	Double profile joint F-40x80-2	without fixing set	40	28	80	2000
4035556		Face-to-face	40	28	80	2000
4035557		Slot-to-slot	40	28	80	2000
4035558		Face-to-slot	40	28	80	2000
4019666	Lever for hand adjustment 40x80					

Mitre joint -W1-

- Connects profiles at any angle
- No alignment necessary

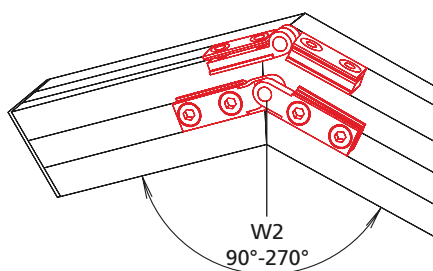
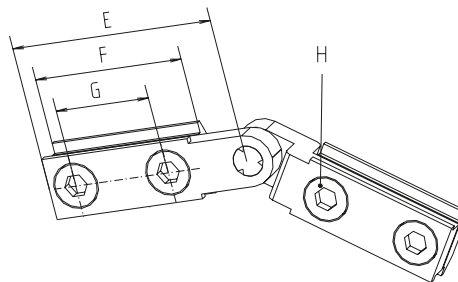
Material: Galvanised steel
Includes: Complete fixing set for one mitre joint -W-



							[mm]
Code No.	Type	Slot geometry	A	B	C	D	
4016506	W-1	30	19	30	41	M4	
4016504	W-1	40	19	30	41	M5	

Mitre joint -W2-

Material: Galvanised steel
Includes: Complete fixing set for one mitre joint -W-



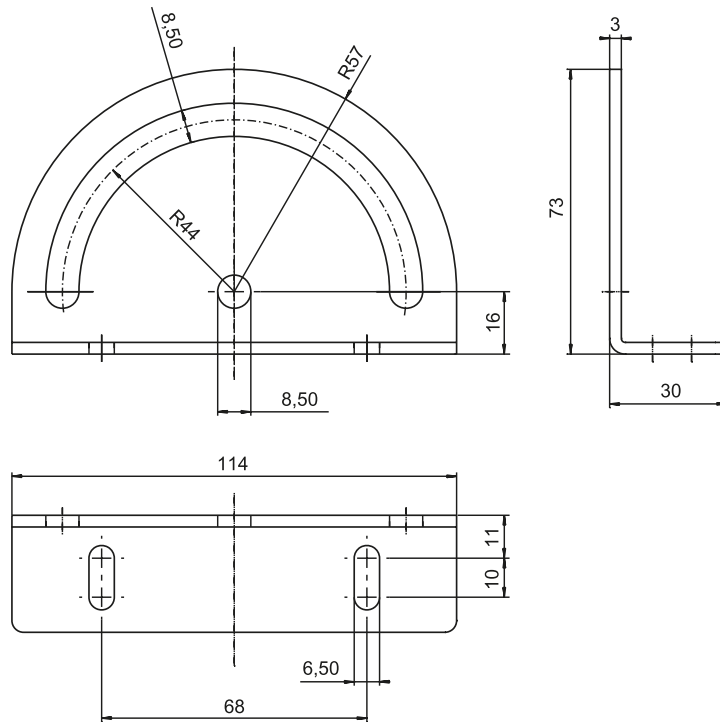
							[mm]
Code No.	Type	Slot geometry	E	F	G	H	
4016507	W-2	30	41	30	19	M4	
4016505	W-2	40	41	30	19	M5	

Angle connections

Steel swivel

- Using steel swivels enables Structural profiles to be adjusted to any angle

Material: Galvanised steel
Includes: 1 steel swivel with one complete fixing set for one profile connection.
 A clamping level can be ordered as an optional extra



[mm]

Code No.	Type	Slot geometry
WAC042000144	Steel swivel with screw	40
WAC042000145	Clamping lever	40



Face-to-face and parallel connections

Versions

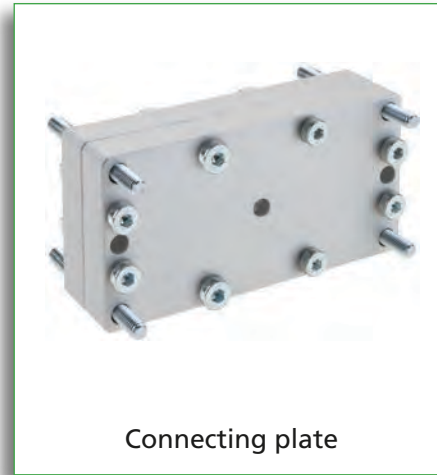


Table of contents

Connection techniques

Face-to-face and parallel connections

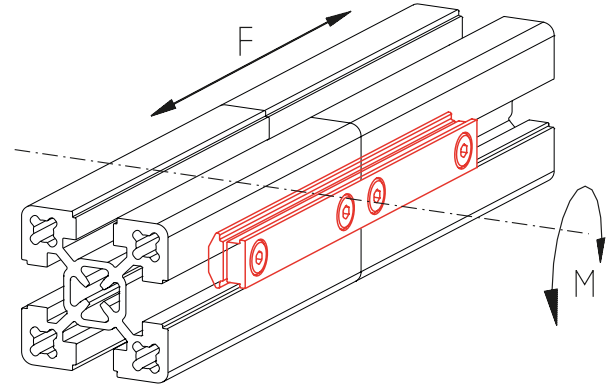
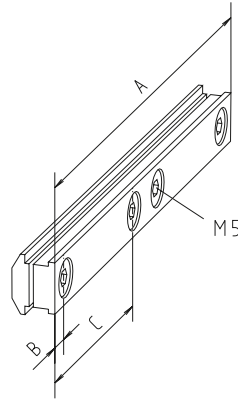
- Mitre joint -L- p. 78
- Keyed clamp connector -P- p. 78
- Connecting plate p. 79
- Connection element -plastic- p. 80
- Connection element -aluminium- p. 80
- Connection element -S- p. 81

Face-to-face and parallel connections

Mitre joint -L-

- For face-to-face connections and for extending profiles
- Flush profile finish
- Automatic centring

Material: Galvanised steel
Includes: Complete fixing set for one connection



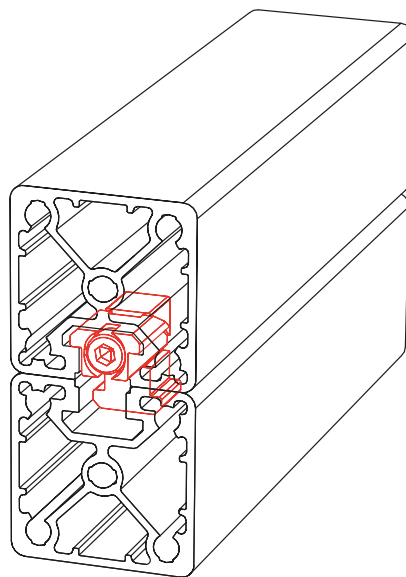
[mm]

Code No.	Type	To slot geometry	A	B	C	F [N]	M [Nm]
4006503	L30	30	120	7	52	1200	60
4016503	L40	40	120	7	52	1200	90

Keyed clamp connector -P-

- For parallel flange mounting of profiles
- No mechanical machining necessary.

Material: Galvanised steel
Includes: Complete fixing set for one connection



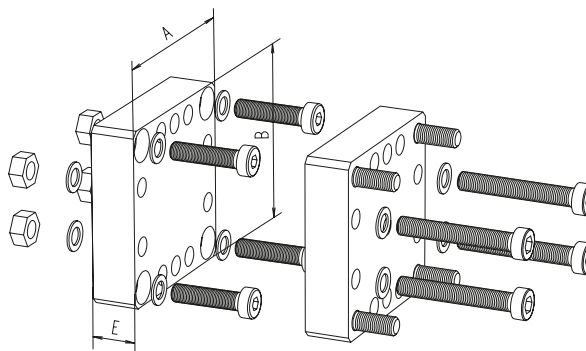
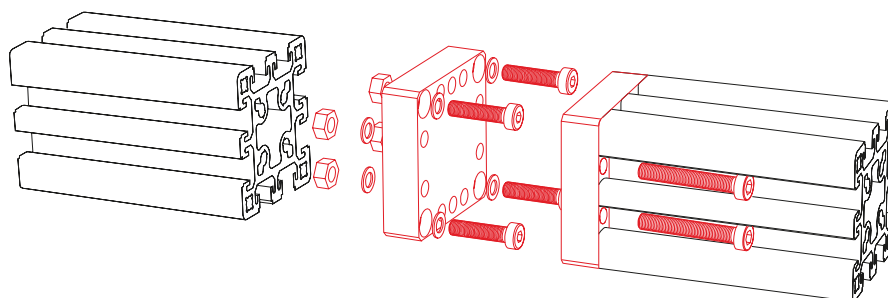
Code No.	Type
4016522	40 slot geometry

Connecting plate

- For extending profiles

Material: Aluminium, galvanised fastenings

Includes: Complete fixing set for one connection

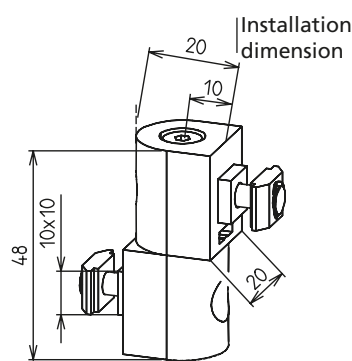


[mm]

Code No.	Type	A	B	E
4005452	30x30	30	30	15
4015452	40x40, 40x40-L	40	40	15
4305451	F-30x60	30	60	15
4315451	F-30x80	30	80	15
4295451	F-30x100	30	100	15
4325451	F-30x120	30	120	15
4335451	F-30x160	30	160	15
4035452	40x80, F-40x80-L, F-40x80/3	40	80	15
4645451	F-40x120	40	120	15
4655451	F-40x160	40	160	15
4085452	F-50x50, F-50x50-L	50	50	15
4665451	F-50x100	50	100	15
4675451	F-50x200	50	200	15
4025452	F-60x60, F-60x60-L, F-60x60/1	60	60	15
4065451	F-60x120	60	120	15
4045452	80x80, F-80x80-L	80	80	15
4685451	F-80x120	80	120	15
4075451	F-80x160, F-80x160-L	80	160	15
4695451	F-100x100	100	100	15
4165451	F-120x120	120	120	15

Face-to-face and parallel connections

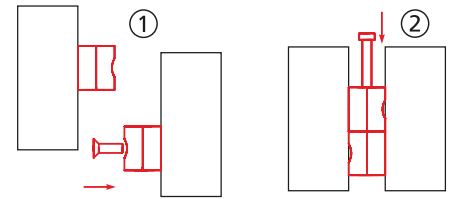
Connection element with angle compensation -plastic-



- The plastic element allows profiles to be connected in parallel. The profiles may be twisted axially.

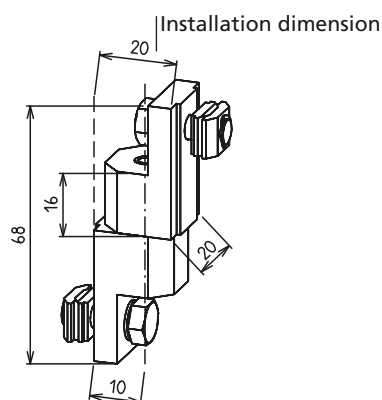
Material: Black plastic
Includes: Complete fixing set for one connection.
 Galvanised fastenings.

- Assembly:
1. The individual halves are positioned on the profiles and fastened.
 2. Then the two halves of the element are connected with a socket head cap screw.



Code No.	Slot geometry
4008657	30
4018657	40
4008658	30 to 40

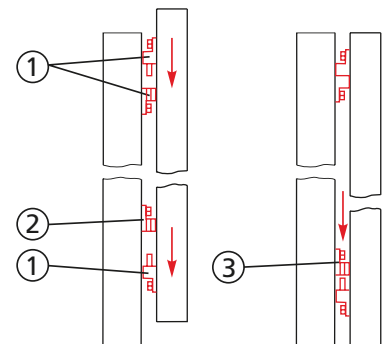
Connection element with angle compensation -aluminium-



- The advantages over the above plastic version are resistance and easier assembly. In addition, the elements can be height adjusted retrospectively without disassembling the mounted profile frame.

Material: Vibration finished aluminium,
Includes: Complete fixing set for one connection.
 Galvanised fastenings.

- Assembly:
1. First the individual halves of the connection element (no. 1) are assembled. The elements with pin face each other in the centre of the profile. The lower element with hole (no. 2) is slightly tightened so that it can still be moved in the slot.
 2. The profiles/frames to be connected are now mounted in the connection element.
 3. The element still loose in the slot (no.3) is pushed onto the pin and fixed.



Code No.	Slot geometry
4005657	30
4015657	40
4005658	30 to 40

Connection element -S- (Click & Safe)

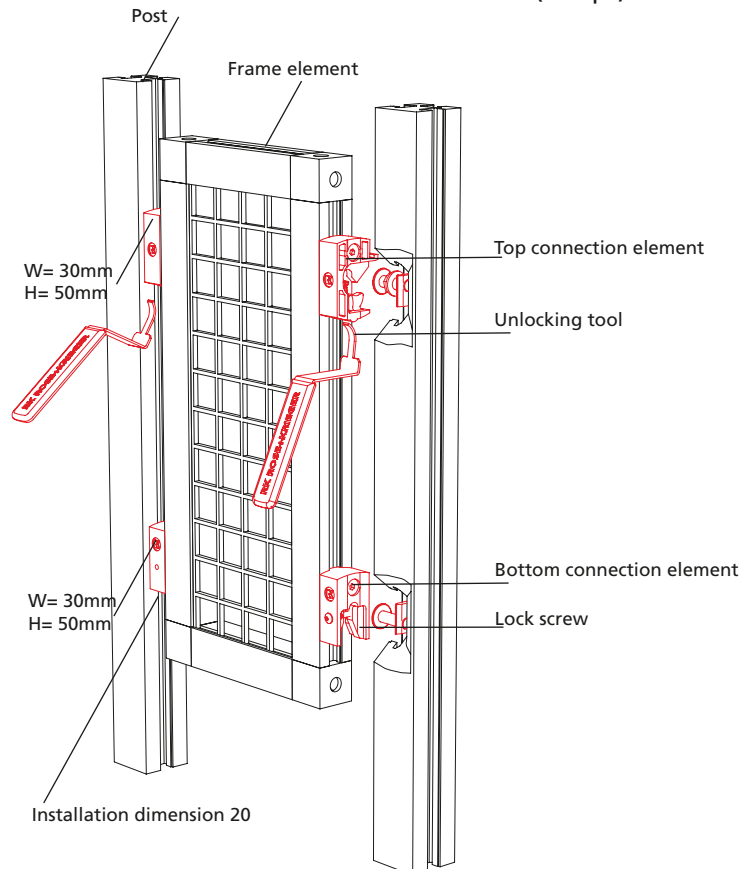
- Operation complies with EU Machinery Directive 2006/42/EC
- Extremely quick and simple assembly without tools and without fastenings
- Angle compensation ± 5 degrees between post and frame

- Disassembly only possible with a special unlocking tool according to the machinery directive

Material: Plastic

Galvanised fastenings

Includes: Connection elements to take one profile frame (2 tops, 2 bottoms, fastenings)



Code No.	Type	Slot geometry
4000657	Connection element 30	30
4010657	Connection element 40	40
4000658	Connection element 30-40	30 - 40
4016697	Unlocking tool, set of 2	

Assembly:

1. Insert frame into the lower holder.
2. Press frame into the holder at the top. The safety guard element automatically engages and locks.

A safety guard element is disassembled with a special unlocking tool according to the machinery directive.



Slot stones and screws

Versions



Table of contents

Accessories

Slot stones and screws

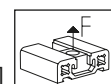
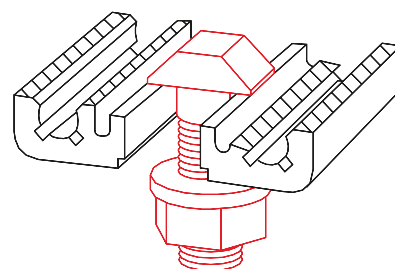
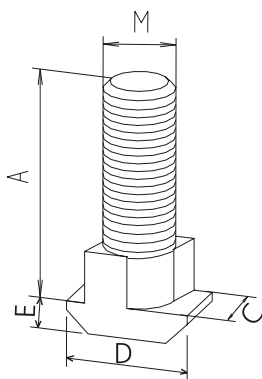
- T-head bolt p. 84
- Slot stone -F-..... p. 84
- Slot stone -N-, -NF- p. 85
- Slot stone -R-, -RF- p. 86
- Slot stone -L-II..... p. 87
- Slot stone -E-/E-II p. 87
- Slot stone -K- p. 88
- Slot stone -P- version K
(equipotential bonding) p. 88
- Slot stone -PA- (equipotential bonding)..... p. 88
- Equipotential bonding cable..... p. 90
- Bar material slot stone -N-..... p. 90
- Suspended sliding block p. 92
- Screws p. 93

Slot stones and screws

T-head bolt

- For fixing mitre joints and angle brackets
- Can be inserted into any position in the profile slot
- The action of tightening turns it into the final clamping position

Material: Galvanised steel
Includes: Complete with nut and washer



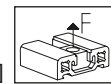
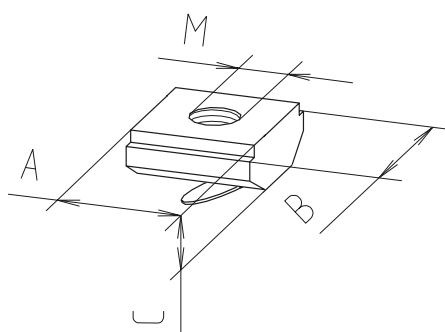
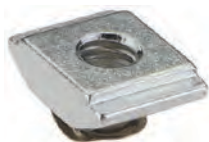
[mm]

Code No.	Type	Slot geometry	A	C	D	E	M	F [N]
4016201	M8x25	40	25	9.8	15.5	4	M8	8000

Slot stone -F-

- Simply slid/inserted edge-first into the profile slot
- Fixed in the desired position by the spring clip

Material: Galvanised steel



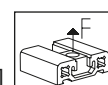
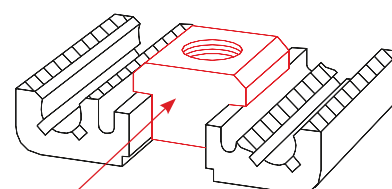
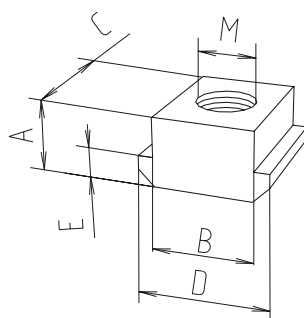
[mm]

Code No.	Type	Slot geometry	A	B	C	M	F [N]
4006710	M3	30	10	12	4	M3	3000
4006716	M4	30	10	12	4	M4	3500
4006711	M5	30	10	12	4	M5	4000
4006712	M6	30	10	12	4	M6	4500
4006715	M4	40	10	14	4	M4	3500
4006713	M5	40	10	14	4	M5	4000
4006714	M6	40	10	14	4	M6	4500

Slot stone -N-

- This slot stone slides into the end of the profile slot

Material: Galvanised steel
Includes: 1 piece



[mm]

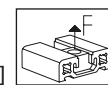
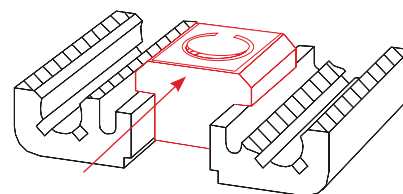
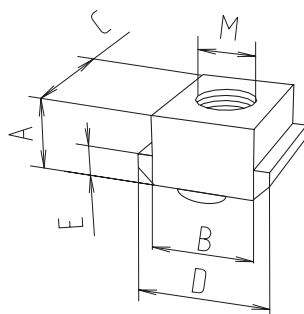
Code No.	Type	Slot geometry	A	B	C	D	E	M	F [N]
4006201	M5	30	5	10	13	13	3	M5	4000
4006203	M6	30	5	10	13	13	3	M6	4000
4006202	M8	30	5	10	13	13	3	M8	4000
4026207	M5	40	8	10	13	15	4	M5	4000
4026203	M6	40	8	10	13	15	4	M6	9000
4026206	M8	40	8	10	13	15	4	M8	9000
4029206	M8*	40	8	10	13	15	4	M8	9000
4026214	M8	40	8	10	28	15	4	M8	9000
4026208	M8	40, with screw M8x16	8	10	13	15	4	M8	9000
4026202	M8	40, with screw M8x18	8	10	13	15	4	M8	9000

* Stainless steel

Slot stone -NF-
NEW

- This slot stone slides into the end of the profile slot
- The spring clip guarantees fixation in any position/installation position

Material: Galvanised steel



[mm]

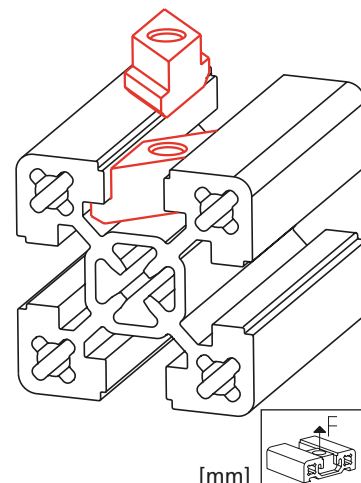
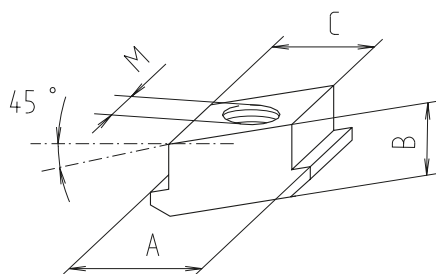
Code No.	Type	Slot geometry	A	B	C	D	E	M	F [N]	Pack of
4016252	M6	40	8	10	13	15	4	M6	9000	100 / bag
4016253	M8	40	8	10	13	15	4	M8	9000	100 / bag
4016254	M6	40	8	10	13	15	4	M6	9000	10 / bag
4016255	M8	40	8	10	13	15	4	M8	9000	10 / bag

Slot stones and screws

Slot stone -R-

- Insert anywhere in the slot
- The action of tightening turns it into the final clamping position

Material: Galvanised steel
Includes: 1 piece



[mm]

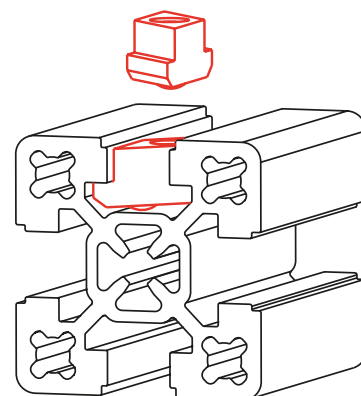
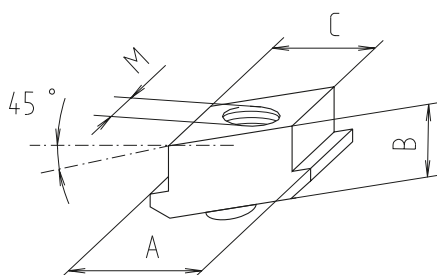
Code No.	Type	Slot geometry	A	B	C	M	F [N]
4006222	M5	30	13	5	10	M5	4000
4006221	M6	30	13	5	10	M6	4000
4006223	M8	30	13	5	10	M8	4000
4026221	M6	40	15	8	10	M6	8000
4026222	M8	40	15	9	10	M8	8000

Slot stone -RF-

NEW

- Rhombic slot stones -RF- can be inserted and twisted into any position in the profile slot
- The spring clip guarantees fixation in any position/installation position

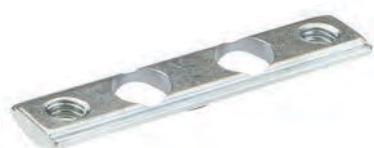
Material: Galvanised steel
Includes: 1 Packaging unit
100 pieces



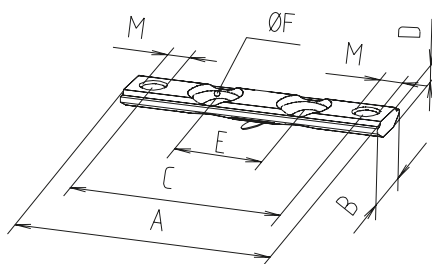
[mm]

Code No.	Type	Slot geometry	A	B	C	M	F [N]	Pack of
4006251	M5	30	13	5	10	M5	4000	100 / bag
4006252	M6	30	13	5	10	M6	4000	100 / bag
4006253	M8	30	13	5	10	M8	4000	100 / bag
4006254	M6	40	15	8	10	M6	8000	100 / bag
4006255	M8	40	15	9	10	M8	8000	100 / bag
4006256	M5	30	13	5	10	M5	4000	10 / bag
4006257	M6	30	13	5	10	M6	4000	10 / bag
4006258	M8	30	13	5	10	M8	4000	10 / bag
4006259	M6	40	15	8	10	M6	8000	10 / bag
4006260	M8	40	15	9	10	M8	8000	10 / bag

Slot stone -L- II



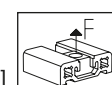
Version -L- II



- For fixing flange brackets. The slot stone can be slid/inserted edge-first into the profile slot and fixed in any position with a spring clip.

Material: Galvanised steel

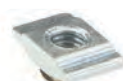
[mm]



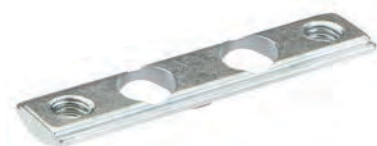
Code No.	Type	Version	Slot geometry	A	B	C	D	E	F	M	F [N]
4006207	M5	-L- II	30	29	12	21.5	4	0*	8.5	M5	6500
4016206	M6	-L- II	40	38	14	28	4	0*	10.2	M6	12300
4016207	M6	-L- II	40	48	14	38	4	15.5	10.2	M6	10400
4016208	M6	-L- II	40	58	14	48	4	20	10.2	M6	10400
4046206	M6	-L- II	40	78	14	68	4	40	10.2	M6	10300

* Only have one hole

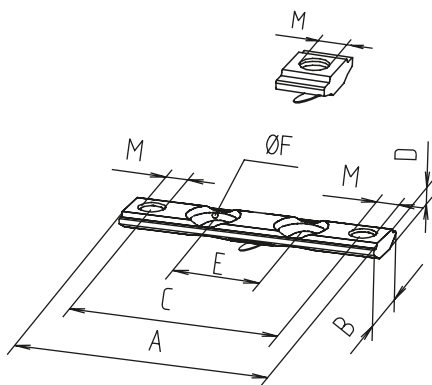
Slot stone -E- / E-II



Version -E-



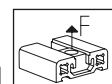
Version -E- II



- Slid into the slot from the side
- High load capacity due to large supporting surface
- Fixed in the desired position by the spring clip

Material: Galvanised steel

[mm]



Code No.	Type	Version	Slot geometry	A	B	C	D	E	F	M	F [N]
4006208	M5	-E-	40	10	16.5	-	4	0*	-	M5	7000
4006209	M6	-E-	40	10	16.5	-	4	0*	-	M6	7400
4006224	M6	-E- II	40	38	16.5	28	3.8	0	10.2	M6	11100
4006239	M6	-E- II	40	58	16.5	48	3.8	15.5	10.2	M6	10900
4006240	M6	-E- II	40	78	16.5	68	3.8	40	10.2	M6	8800

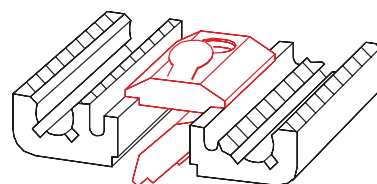
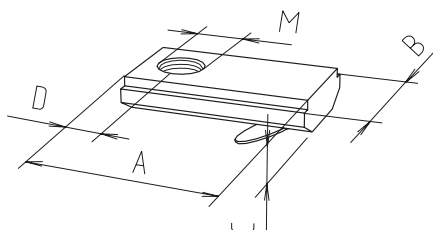
* Only have one hole

Slot stones and screws

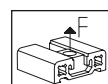
Slot stone -K-

■ Simply slid/inserted edge-first into the profile slot

Material: Galvanised steel



[mm]



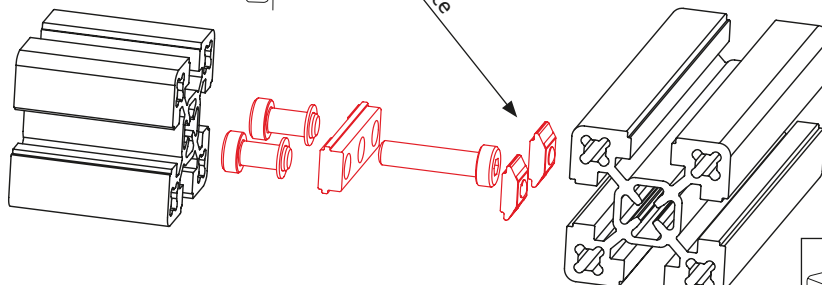
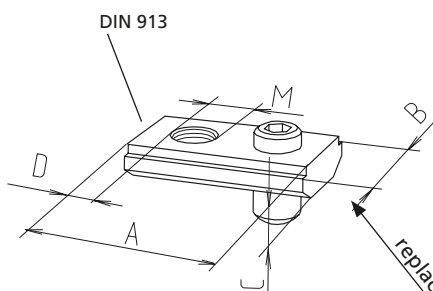
Code No.	Type	Slot geometry	A	B	C	D	M	F [N]
4006211	M5	30	21	12	4	7	M5	5000
4006212	M6	30	21	12	4	7	M6	5000
4006213	M8	30	21	12	4	7	M8	5000
4016212	M6	40	21	14	4	7	M6	5000
4016213	M8	40	21	14	4	7	M8	8000

Slot stone -P- version K

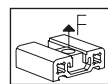
■ Creates equipotential bonding between two profiles by damaging the anodised layer

Material: Galvanised steel/stainless steel

Includes: 1 complete unit



[mm]



Code No.	Type	Material	Slot geometry	A	B	C	D	M	F [N]
4006214	M5	Galvanised steel	All	20	12	4	7	M5	5000
4009214	M5	Stainless steel	All	20	12	4	7	M5	5000
4006216	M6	Galvanised steel	All	20	12	4	7	M6	5000
4009216	M6	Stainless steel	All	20	12	4	7	M6	5000
4006215	M6	Galvanised steel	40	20	14	4	7	M6	5000



Slot stone -PA-



Version PA -N-



Version PA -R-



Version PA -F-



Version PA -K-



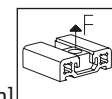
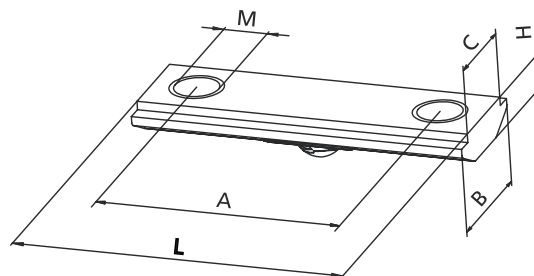
Version PA -L-



Version PA -PLM-

■ The -PA- slot stones have an equipotential bonding effect by destroying the anodised layer. The slot stones can be used in an assembly kit or be interconnected with bridge pieces.

Material: Black galvanised steel
Includes: 1 pack of 10



[mm]

Code No.	Type	Slot geometry	A	B	C	H	L	M	F [N]
Slot stone PA -N-									
4006B01	M5	30	–	13	10	5	13	M5	4000
4006B03	M6	30	–	13	10	5	13	M6	4000
4006B02	M8	30	–	13	10	5	13	M8	4000
4026B07	M5	40	–	15	10	8	13	M5	4000
4026B03	M6	40	–	15	10	8	13	M6	9000
4026B06	M8	40	–	15	10	8	13	M8	9000
Slot stone PA -R-									
4006B22	M5	30	–	13	10	5	29	M5	4000
4006B21	M6	30	–	13	10	5	29	M6	4000
4006B23	M8	30	–	13	10	5	29	M8	4000
4026B21	M6	40	–	15	10	8	31	M6	8000
4026B22	M8	40	–	15	10	9	31	M8	8000
Slot stone PA -F-									
4006C10	M3	30	–	12	10	4	10	M3	3000
4006C16	M4	30	–	12	10	4	10	M4	3500
4006C11	M5	30	–	12	10	4	10	M5	4000
4006C12	M6	30	–	12	10	4	10	M6	4500
4006C15	M4	40	–	14	10	4	10	M4	3500
4006C13	M5	40	–	14	10	4	10	M5	4000
4006C14	M6	40	–	14	10	4	10	M6	4500
Slot stone PA -K-									
4006B11	M5	30	–	12	10	4	21	M5	5000
4006B12	M6	30	–	12	10	4	21	M6	5000
4006B13	M8	30	–	12	10	4	21	M8	5000
4016B12	M6	40	–	14	10	4	21	M6	5000
4016B13	M8	40	–	14	10	4	21	M8	8000
Slot stone PA -L-									
4006B04	M5	30	21.5	12	10	4	29	M5	7000
4016B04	M6	40	28	14	10	4	38	M6	10000
4026B04	M6	40	48	14	10	4	58	M6	8600
4046B04	M6	40	68	14	10	4	78	M6	12000

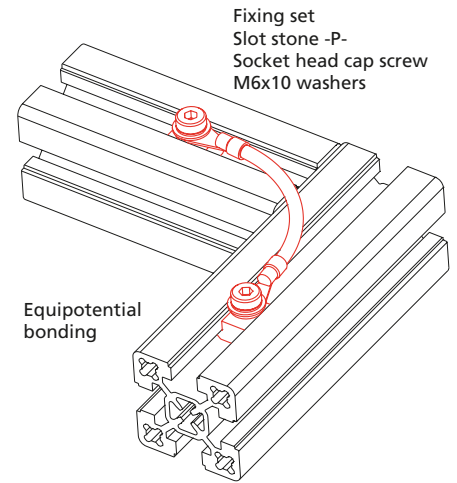
Slot stones and screws

Equipotential bonding cable

- Equipotential bonding cable 6 mm² with cable lug, length 120 mm

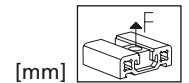


Fixing set Galvanised steel



Fixing set
Slot stone -P-
Socket head cap screw
M6x10 washers

Equipotential
bonding

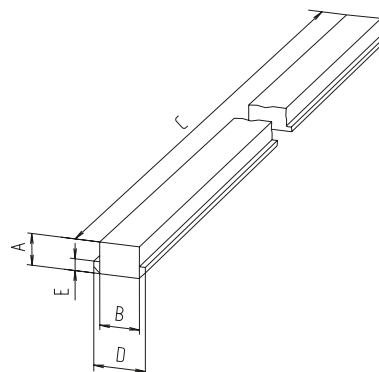
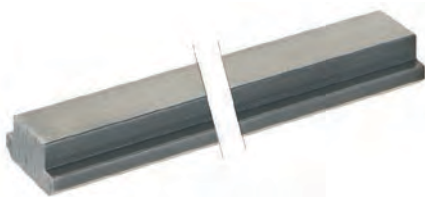


Code No.	Type	Slot geometry
4012590	Equipotential bonding (cable)	40
4012591	Complete fixing set	40

Bar material

- The bar material allows thread to be cut to length and positioned to suit the application.
- Manufacturing tolerances (dimension C) must be observed
- Machining to customer specification available on request.

Material: Galvanised steel / stainless steel
Base profile for slot stone -N-

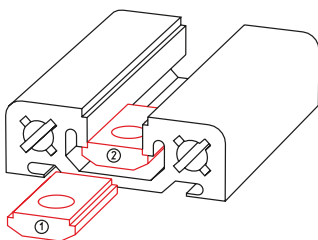


Code No.	Material	Slot geometry	A	B	C	D	E
4006200 3010	Steel	30	5	10	2800 - 3000	13	3
4026200 3010		40	8	10	2800 - 3000	15	4
4009200 5600	Stainless steel	30	4	10	5600 - 6000	14	3
4029200 5600		40	8	10	5600 - 6000	15	4

Use of slot stones (slot stone with spring clip -F- / slot stones -K-, -E- and -L- II)

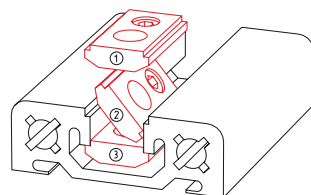
Code No.	See page	30 slot geometry		40 slot geometry	
		slide into slot	insert edge-first into slot	slide into slot	insert edge-first into slot
Slot stone -F-					
4006710	84	x	x	x	x
4006716	84	x	x	x	x
4006711	84	x	x	x	x
4006712	84	x	x	x	x
4006715	84	x		x	x
4006713	84	x		x	x
4006714	84	x		x	x
4026714		x		x	x
Slot stone -L- II					
4006207	87	x	x	x	x
4016206	87	x		x	x
4016207	87	x		x	x
4016208	87	x		x	x
4046206	87	x		x	x
Slot stone -E- / E-II					
4006208	87			x	
4006209	87			x	
4006224	87			x	
4006239	87			x	
4006240	87			x	
Slot stone -K-					
4006211	88	x	x	x	x
4006212	88	x	x	x	x
4006213	88	x	x	x	x
4016212	88	x		x	x
4016213	88	x		x	x
4006214	88	x	x	x	x
4006215	88	x	x	x	x
4006216	88	x		x	x

Slide slot stone into slot



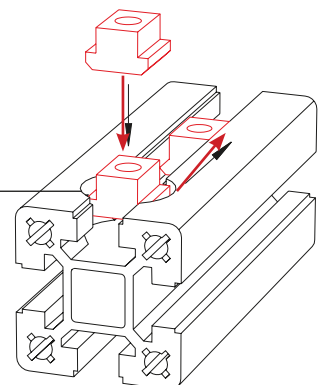
Numbers = Installation sequence

Insert slot stone edge-first into slot



Example of retrospective insertion of an N slot stone in a profile.
You will find a suitable drilling fixture on page 458

Hole
Diameter: 20 mm
Depth: 11.5 mm

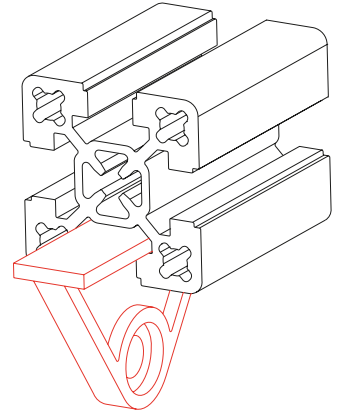
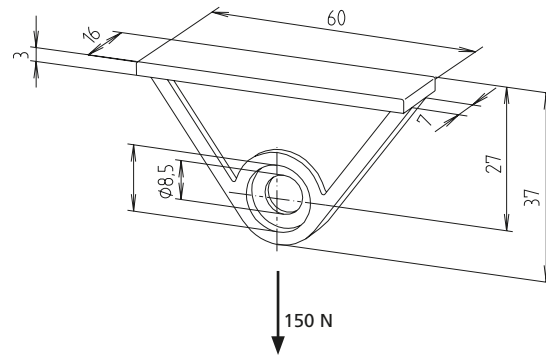


Slot stones and screws

Suspended sliding block

- To take tools and curtain guards
- Slid into the profile slot from the side.

Material: Black plastic



Code No.	Slot geometry
4018200	40

Screws - DIN 7984

Material: Galvanised steel
Includes: 1 unit complete with lock washer



Code No.	Type	Suitable for
4006234	M5x14	Connecting plate 30
4006235	M5x16	Hidden screw 30
4006238	M5x35	Corner joint clamping profiles 30
4016234	M6x16	Connecting plates as of size 40
4016235	M6x20	Hidden screw size 40
4016240	M6x45	Corner joint clamping profiles 40
4016236	M8x12	Universal
4016238	M8x18	Universal
4016237	M8x30	Universal

RK expansion screws

- Used for low dynamic loads
- Tightening torque 10 Nm

Material: Galvanised steel
 Head to DIN 7984



Code No.	Type	Suitable for
4126230	M6x35	40x40 to 80x160 F-profiles

Profile covers

Versions



Table of contents

Profile covers

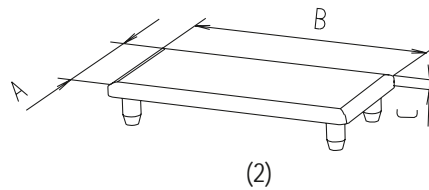
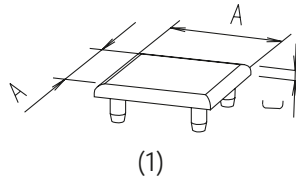
- Cap p. 96
- End plate p. 98
- Cover profile -plastic- p. 99
- Cover profile -aluminium- p. 99
- Rim p. 100
- Door gap seal p. 100

Profile covers

Caps -plastic-

■ In addition to the standard black version (see next page), it is possible to order other types in various RAL colours. Other profile types and RAL colours available on request.

■ Please note that, for typographical reasons, the colour illustrated here is only an approximation of the RAL colour.

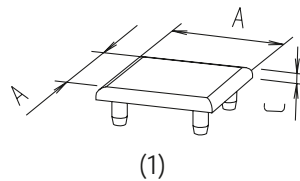



- White aluminium RAL 9006
- Light grey RAL 7035
- Rape yellow RAL 1021
- Traffic red RAL 3020
- Signal blue RAL 5005

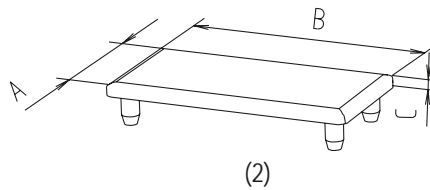
								[mm]
Code No.	Type	See figure	A	B	C	D	R	
Colour plastic cap								
400042_	30x30	1	30	–	3	–	–	
430842_	F-30x60	2	30	60	4	–	–	
401042_	40x40, F-40x40-L	1	40	–	4	–	–	
403042_	40x80, F-40x80-L, F-40x80/3	2	40	80	4	–	–	
408842_	F-50x50, F-50x50-L	1	50	–	4	–	–	
412142_	60x60, F-60x60-L, F-60x60/1	1	60	–	4	–	–	
404042_	80x80, F-80x80-L, F-80x80/2, F-80x80/2-L	1	80	–	4	–	–	

- 2 = RAL 9006
- 3 = RAL 7035
- 4 = RAL 1021
- 5 = RAL 3020
- 6 = RAL 5005

Black caps -plastic-



 Black RAL 9005



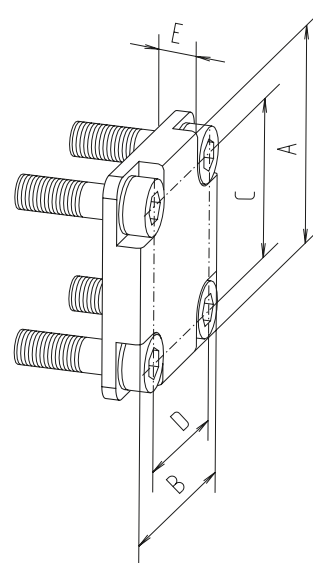
[mm]

Code No.	Type	See figure	A	B	C	D	R
Black plastic cap							
4000421	30x30	1	30	–	3	–	–
4308421	F-30x60	2	30	60	4	–	–
4318421	F-30x80	2	30	80	4	–	–
4298421	F-30x100	2	30	100	4	–	–
4328421	F-30x120	2	30	120	4	–	–
4338421	F-30x160	2	30	160	4	–	–
4010421	F-40x40-L, 40x40	1	40	–	4	–	–
4030421	40x80, F-40x80-L, F-40x80/3	2	40	80	4	–	–
4648421	F-40x120	2	40	120	4	–	–
4658421	F-40x160	2	40	160	4	–	–
4088421	F-50x50, F-50x50-L	1	50	–	4	–	–
4668421	F-50x100	2	50	100	4	–	–
4678421	F-50x200	2	50	200	4	–	–
4121421	60x60, F-60x60/1, F-60x60-L	1	60	–	4	–	–
4068421	F-60x120	2	60	–	4	–	–
4040421	80x80, F-80x80-L, F-80x80/2, F-80x80/2-L	1	80	–	4	–	–
4688421	F-80x120	2	80	120	4	–	–
4078421	F-80x160, F-80x160-L	2	80	–	4	–	–
4698421	F-100x100	1	100	–	4	–	–
4168421	F-120x120	1	120	–	4	–	–

Profile covers

End plate

Includes: End plate complete with fixing set



Example: 40x40

							[mm]
Code No.	Type	A	B	C	D	E	
End plate connection - face to slot							
Die-cast aluminium							
4034451	40x80, F-40x80-L	80	80	68	68	8	
4084401	F-50x50, F-50x50-L	50	50	38	38	7	
4224401	60x60, F-60x60/1, F-60x60-L	60	60	43	43	7	
Aluminium							
4304401	F-30x60	30	60	21.5	48	15	
4314401	F-30x80	30	80	21.5	68	15	
4294401	F-30x100	30	100	21.5	88	15	
4324401	F-30x120	30	120	21.5	108	15	
4334401	F-30x160	30	160	21.5	148	15	
4644401	F-40x120	40	120	28	108	15	
4654401	F-40x160	40	160	28	148	15	
4664401	F-50x100	50	100	38	88	15	
4674401	F-50x200	50	200	–	165.5	15	
4064401	F-60x120	60	120	48	108	15	
4044401	F-40x80/3, 80x80, F-80x80-L, F-80x80/2, F-80x80/2-L,	80	80	68	68	8	
4684401	F-80x120	80	120	68	108	15	
4074401	F-80x160	80	160	68	148	15	
4694401	F-100x100	100	100	88	88	15	
4164401	F-120x120	120	120	80	80	15	

Cover profile -plastic-

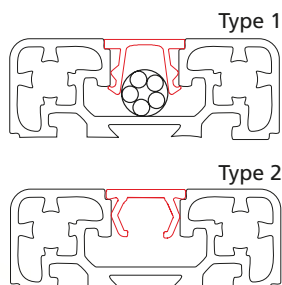
- For the flush covering of longitudinal slots. Two versions are available.

- Due to the geometry of type 1, it is possible to route leads in the slot. Type 2, on the other hand, is easier to take out of the profile slot (without leaving residues).

Material: Plastic

Please note that, for typographical reasons, the colour illustrated here is only an approximation of the RAL colour.

Further special colours available on request.

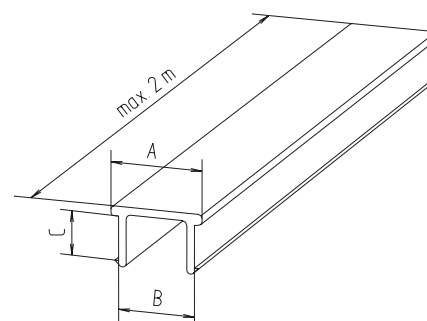
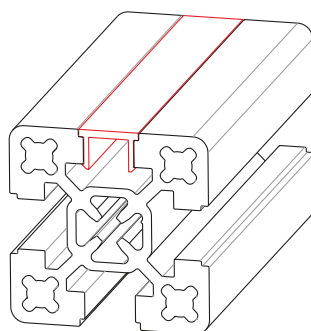


	White aluminium RAL 9006
	Light grey RAL 7035
	Rape yellow RAL 1021
	Traffic red RAL 3020
	Signal blue RAL 5005
	Black RAL 9005

Code No.	Type	Version	Colour	A	B	C
4000575	2	2 m bar	Light grey	12	11.2	6.4
4000577	2	2 m bar	White aluminium	12	11.2	6.4
4000579	2	2 m bar	Rape yellow	12	11.2	6.4
4000581	2	2 m bar	Traffic red	12	11.2	6.4
4000583	2	2 m bar	Signal blue	12	11.2	6.4
4000570	2	2 m bar	Black	12	11.2	6.4
4000585	1	2 m bar	Rape yellow	12	11.2	6.4
4008570	1	2 m bar	Black	12	11.2	6.4
NEW 4000586	1	2 m bar	Transparent	12	11.2	6.4

Cover profile -aluminium-

Material: Aluminium



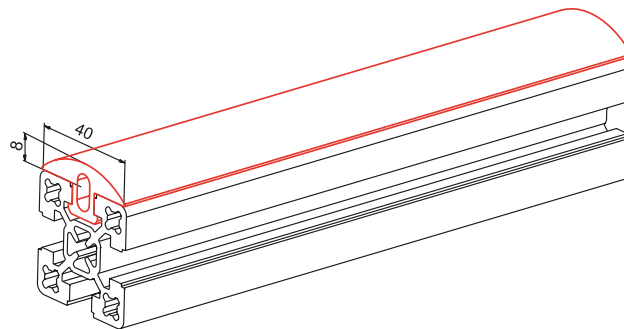
Code No.	Type	Slot geometry	A	B	C
4005572	Cut to size	30	12	10	2.7
4005570	1	30	12	10	2.7
4015572	Cut to size	40	12	10	5.2
4015570	1	40	12	10	5.2

Profile covers

Rim

- Protects the structure from damage
- Simply pressed into the profile slot

Material:
Synthetic EPDM rubber, black
Shore hardness: 70 Shore

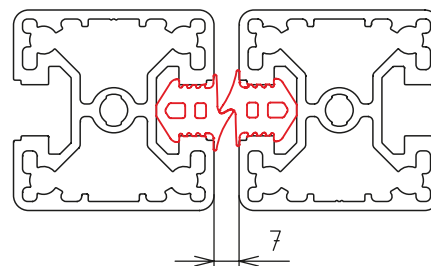


Code No.	Type	Slot geometry
4018594	Rim, 30 m roll	40
4018599	Rim, Cut to required length, max. 30 m	40

Door gap seal

- Can absorb gap width tolerances
- Acts as a door stop

Material: NBR rubber, black
Shore hardness: 55 Shore



Code No.	Type	Slot geometry
4018518	Door gap seal, by the metre, max. length 100 m	40



Panels and accessories

Versions



Table of contents

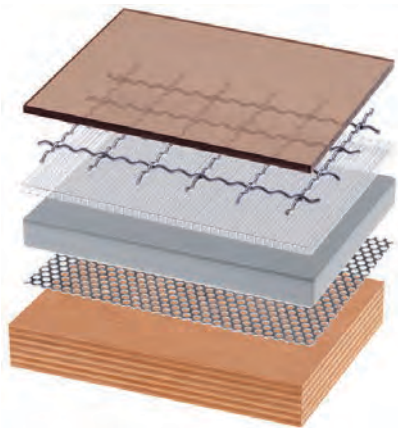
Panels and accessories

- Panels p. 104
- 2-piece plastic framing profile p. 106
- Corner piece p. 106 + p. 108
- 2-piece framing profile p. 108
- Embedding U-profile p. 109
- Frame profile/corner joint p. 110
- Profile seals..... p. 111
- Block joint -L- p. 112
- Block joint -G-..... p. 113
- Block joint -K-..... p. 113
- Vario-Quick holding block R..... p. 114
- Vario-Quick holding block S..... p. 114
- Vario-Quick holding block L..... p. 115
- Vario-Quick holding block K/KK..... p. 116
- Vario-Quick cable bracket p. 116
- Tube clamp p. 117
- Sliding door profile..... p. 118

Panels and accessories

Panels

- For doors, cladding, safety and table tops. Cut to specification!



Code No.	Type	Thickness	Version	Max. size [mm]	Weight [kg/m ²]
4018584	Makrolon	2 mm	Clear	3.050 x 2.050	2.40
4018586	Makrolon	4 mm	Clear	3.050 x 2.050	4.80
4018576	Makrolon	6 mm	Clear	3.050 x 2.050	8.00
4018579	Makrolon	6 mm	Tinted	3.050 x 2.050	8.00
4018578	Makrolon	10 mm	Clear	3.050 x 2.050	13.00
4018582	Acrylic glass	4 mm	Clear	3.050 x 2.050	4.80
4018583	Acrylic glass	4 mm	Tinted	3.050 x 2.050	4.80
4018595	Acrylic glass	5 mm	Clear	3.050 x 2.050	6.00
4018563	Acrylic glass	5 mm	Blue, transparent	3.050 x 2.030	6.00
4018575	Acrylic glass	6 mm	Clear	3.050 x 2.050	7.20
4012575	Acrylic glass	6 mm	Tinted	3.050 x 2.050	7.20
4018577	Acrylic glass	10 mm	Clear	3.050 x 2.050	13.00
4018580	Acrylic glass	10 mm	Tinted	3.050 x 2.050	13.00
4012576	Trespa	6 mm	Brown	2.050 x 2.130	8.40
4012586	Trespa	6 mm	Silver-grey	3.050 x 1.530	8.40
4012587	Trespa	10 mm	Silver-grey	3.050 x 1.530	13.00
4018570	Koematex	6 mm	White	3.050 x 2.030	4.20
4018571	Koematex	8 mm	White	3.050 x 2.030	5.60
4018572	Koematex	10 mm	White	3.050 x 2.030	6.00
4012579	Multiplex	30 mm	Untreated	2.500 x 1.500	27.00
4015573	Aluminium	2 mm	Clear anodised	2.000 x 1.000	5.40
4012582	Table top	19 mm	Grey plastic-coated, glued edges	2.000 x 2.075	14.70
4012577	Composite	6 mm	Clear anodised	3.050 x 1.500	7.30
4012511	MDF panel	6 mm	Untreated	2.000 x 2.075	8.20
4012512	MDF panel	8 mm	Untreated	2.000 x 2.075	9.20
4016576	Perforated plate	1 mm	Round holes in staggered rows, galvanised steel	1.000 x 2.000	4.30
4016577	Wire mesh 20x20	2.5 mm	Galvanised steel	2.000 x 1.000	2.40
4016578	Wire mesh 30x30	3 mm	Galvanised steel	2.000 x 3.000	3.70
4016579	Wire mesh 40x40	4 mm	Galvanised steel	2.000 x 3.000	4.70

Further versions available on request. For material descriptions, please see next page.



Makrolon
Unbreakable, impact-resistant, weather-resistant, good chemical resistance



Wire mesh
Galvanised steel, cost-effective panel for safety devices



Acrylic glass
Highly transparent, low thickness tolerances, weather-resistant, unbreakable, easy to work with



Perforated plate
Galvanised sheet steel, 5 mm round hole in staggered rows



Acrylic glass
Highly transparent blue, low thickness tolerances, weather-resistant, unbreakable, easy to work with



Table top
Decorative, plastic-coated, glued edges



Trespa
Colourfast, weather-resistant, decorative, impact-, shock- and scratch-resistant, very easy to work with



Composite
Low-weight, high flexural strength, weather-resistant, very good flatness and smooth surface



Koematex
Flame-retardant, thermoformable, low static charging, very easy to work with



MDF panel
Easy to work with, cost-effective



Multiplex panel
High load-bearing strength and flexural strength, easy to work with

Panels and accessories

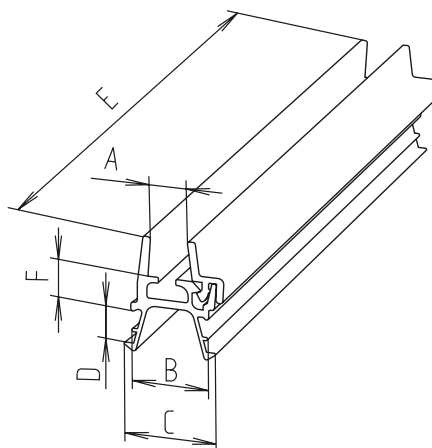
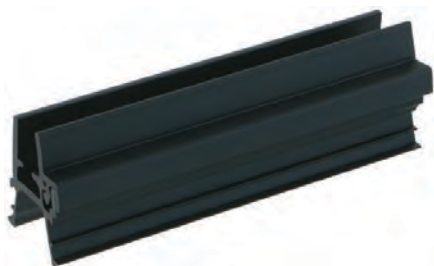
2-piece framing profile

■ Used for retrofitting panels

Material: Black plastic. For a description of assembly, please see page 107

Profile cut length: Frame internal dimension -33 mm (if corner pieces are used)

Panel cut length: Frame internal dimension -5.5 mm all-round



Note: Note there is another framing profile version on page 108.

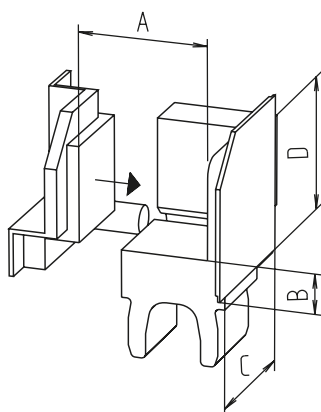
[mm]

Code No.	Type	Slot geometry	A	B	C	D	E	F
4018556	Bar	30 + 40	4	11.8	14.2	5	2000	4
4018558	Bar	30 + 40	5	11.8	14.2	5	2000	4
4018560	Bar	30 + 40	6	11.8	14.2	5	2000	4

Corner piece

Material: Black plastic

Assembly description:
See page 107



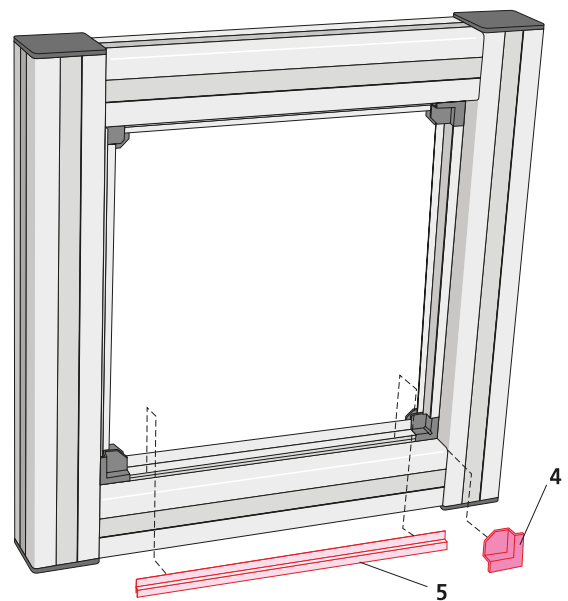
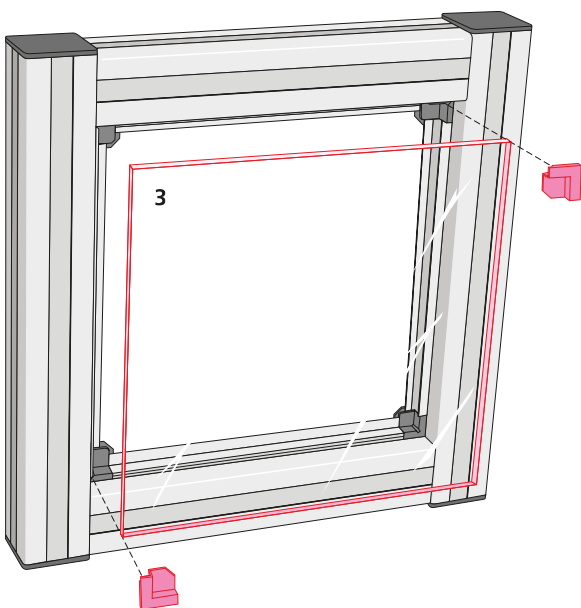
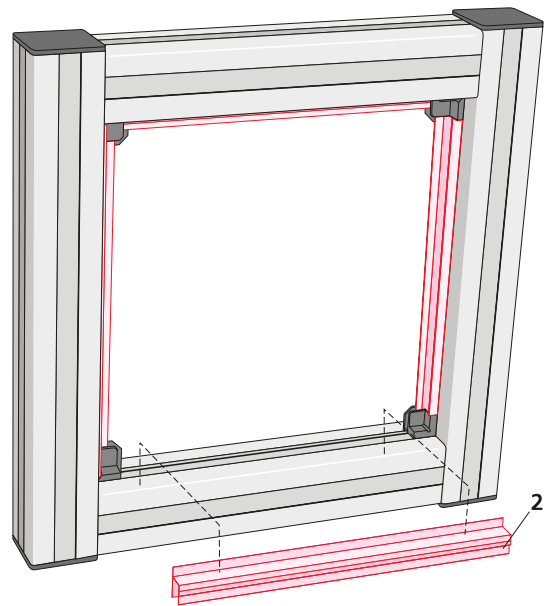
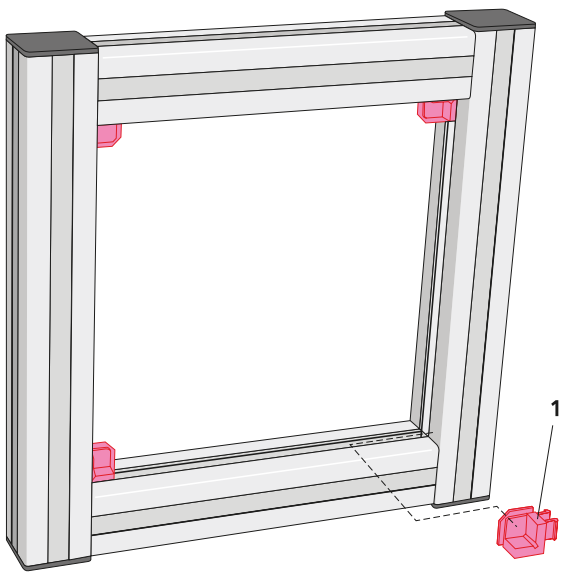
[mm]

Code No.	Type	A	B	C	D
4018565	1 (set of 4)	4 - 6	4	17	17



Assembly description:

1. Insert the corner piece base unit (1) into each corner.
 2. Cut framing profile (2) and press it into the profile slots.
 3. Insert panel (3) and fix with 2 corner piece covers (4) in diagonally opposite corners.
 4. Press in the cover strip of the framing profiles.
 5. Press in the remaining corner piece covers.
- All components can be undone if necessary, so that damaged panels or panes can be replaced without difficulty.



Panels and accessories

2-piece framing profile Used for retrofitting panels

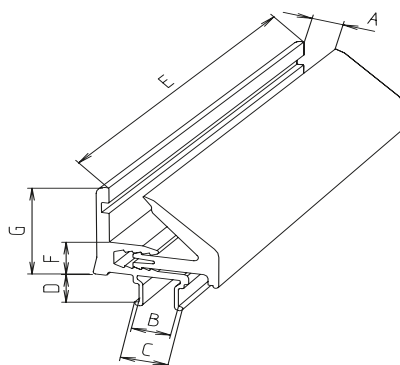
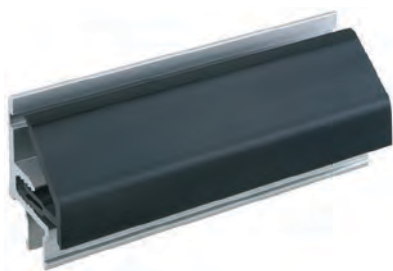
- Used for retrofitting panels
- The aluminium bottom is designed to take panel thicknesses of 4, 6, 8 or 10 mm. A plastic top serves as a sealing strip and protects against dust and splashes.

Material: Aluminium profile bottom, black plastic profile top (with soft PVC on the sealing strips)

Profile cut length:
Frame internal dimension -56 mm (if corner pieces are used)

Panel cut length:
Frame internal dimension -11.5 mm all-round

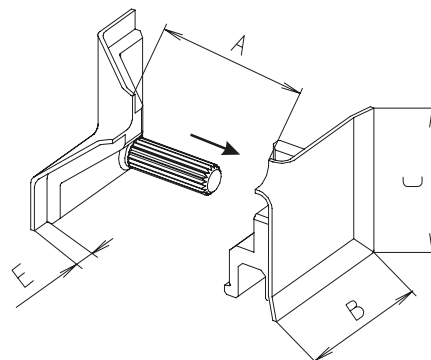
Assembly description:
See page 107



[mm]									
Code No.	Type	Slot geometry	A	B	C	D	E _{Max}	F	G
4010571	Cut to size	40	4,6,8,10	9.2	11.4	6.8	2000	10	26
4010572	Bar	40	4,6,8,10	9.2	11.4	6.8	2000	10	26

Corner piece

Material: Black plastic
Assembly description:
See page 107



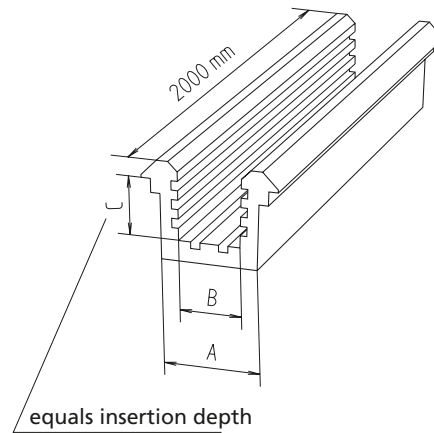
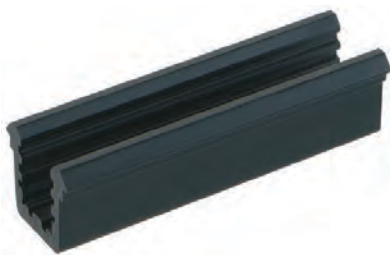
[mm]						
Code No.	Type	Slot geometry	A	B	C	E
4018566	1 (set of 4)	40	4-10	31	31	5



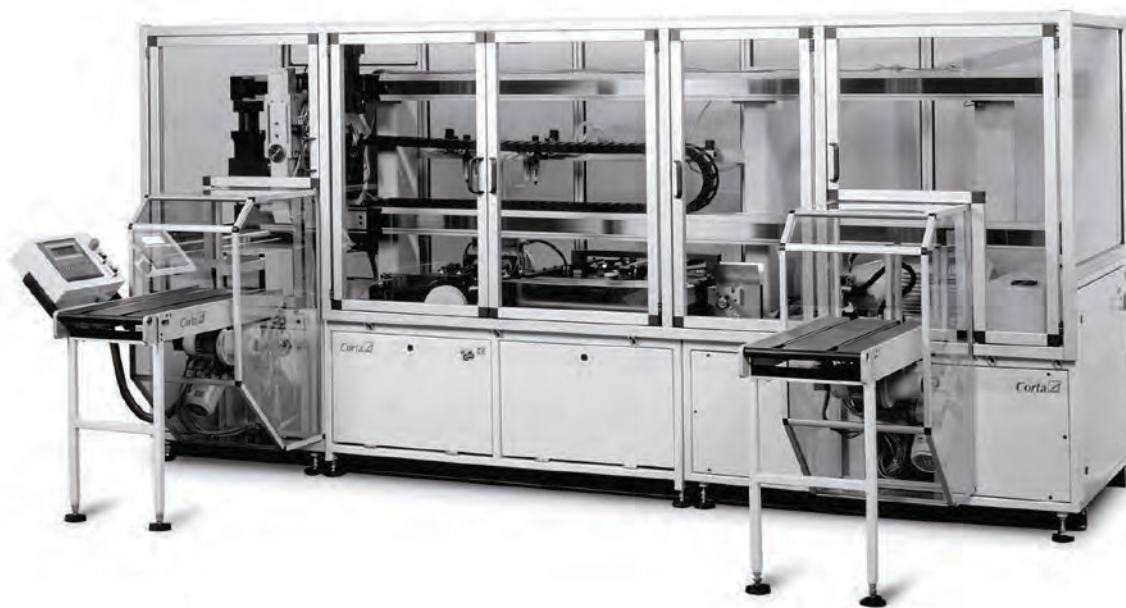
Embedding U-profile

- Panels with a thickness of 6 mm can be embedded in the slots with the plastic profile
- The embedding U-profiles are slid into the slot before assembly

Material: Black plastic
Panel cut length:
 Frame internal dimension +6 mm all-round.



Code No.	Type	Slot geometry	[mm]		
			A	B	C
4010575	Bar	30 + 40	10	6	6



Panels and accessories

Frame profile

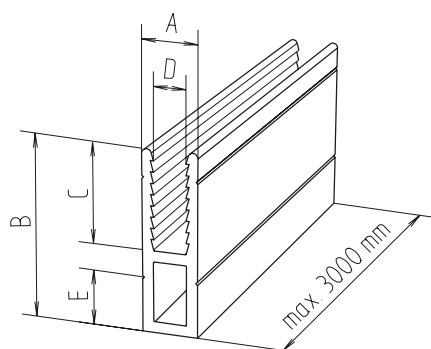


- Takes wire meshes (up to 30x30x3) and panels

Material: Aluminium

Panel cut length:

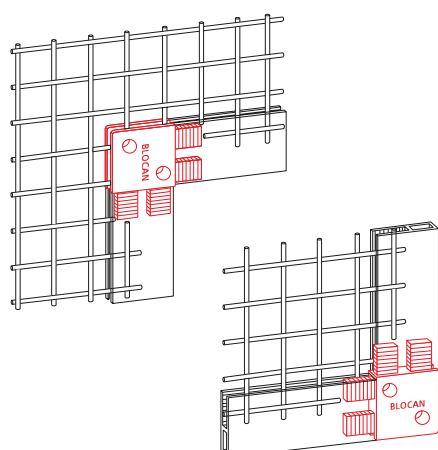
Frame internal dimension -7 mm with 30 slot geometry -10 mm, (page 26) all-round, for fixing in the slot.



Code No.	Type	A	B	C	D	E
4015562	Cut to size	10	33	18	5.8	10
4015560	3 m bar	10	33	18	5.8	10

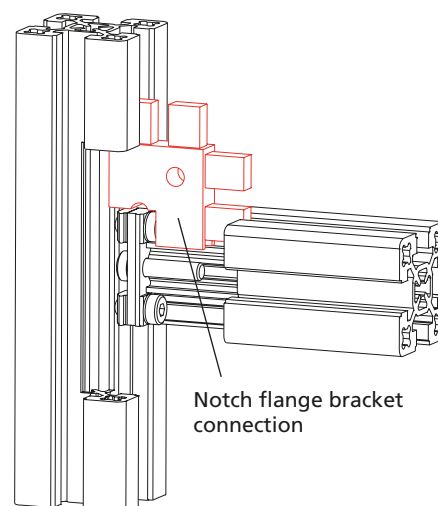
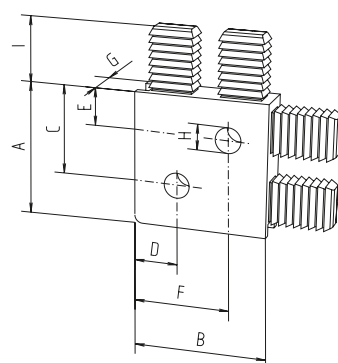
[mm]

Frame corner joint



- Connection element for the frame profile

Material: Black plastic



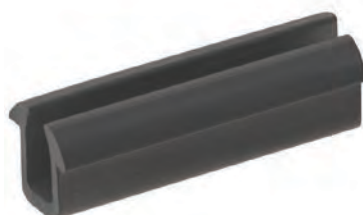
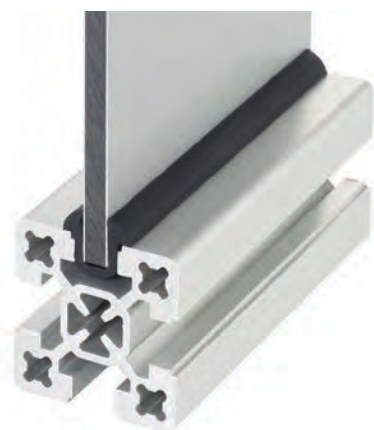
Code No.	Type	A	B	C	D	E	F	G	H	I
4010565	1	34	34	23	11	10	24	10	6.5	15
4000566	With notch for 30 slot geometry (see diagram above)									
4010566	With notch for 40 slot geometry (see diagram above)									

[mm]



Profile seal

Version for 2-sided sealing



Assembly: Ideally, the seal is first laid around the panel and then placed into the profile slot.

Material: SBR, 60 Sh, black

Panel cut length:

Frame internal dimension +6 mm all-round.

Code No.	Sealing	For panel thickness	Slot geometry	Max. length
4018515	2-sided	6 mm	40	60 m

Version for 1-sided sealing



Assembly: Insert the panel into the profile slot. Then press the profile seal into the slot by hand or using a blunt object.

Material: Black EPDM

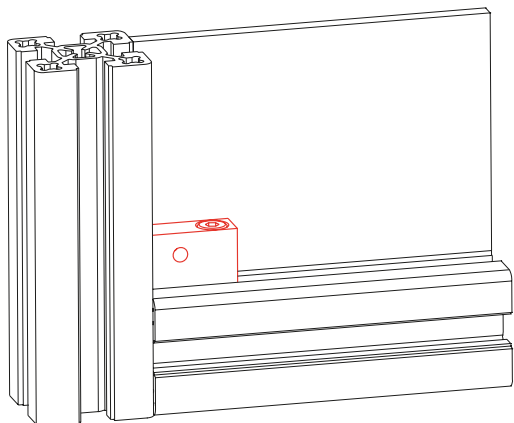
Code No.	Sealing	For panel thickness	Slot geometry	Length
4018513010000	1-sided	2 - 4 mm	40	10 m
4018513050000				50 m
4018513150000				150 m
4218571	1-sided	*For all clamping profiles	30, 40	max. 100 m
4018514	1-sided	6 mm	40	max. 200 m

*The clampable wall thickness is reduced by 2 mm

Panels and accessories

Block joint

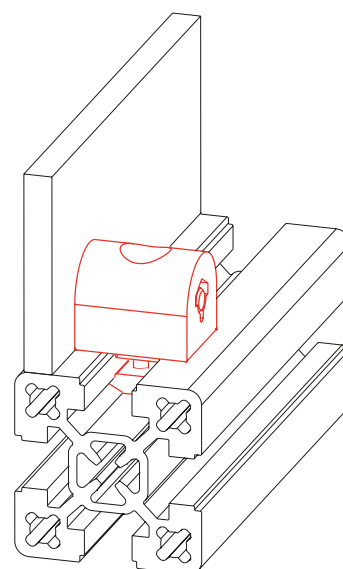
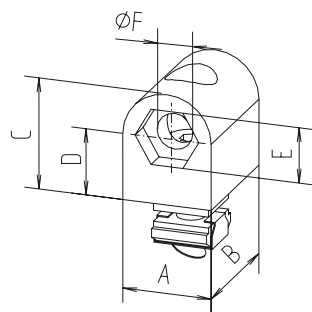
■ For fixing panels to profiles



Block joint -L-

Material:
Black plastic, galvanised steel parts

Includes:
Complete fixing set for profile assembly.



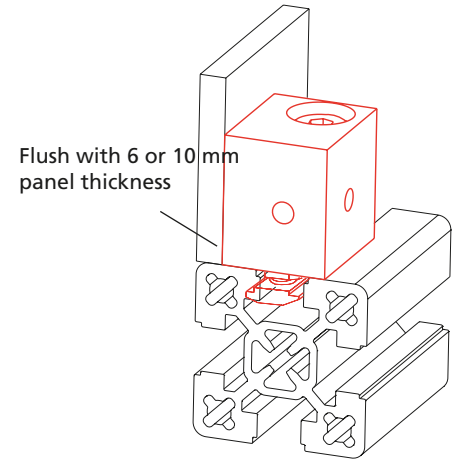
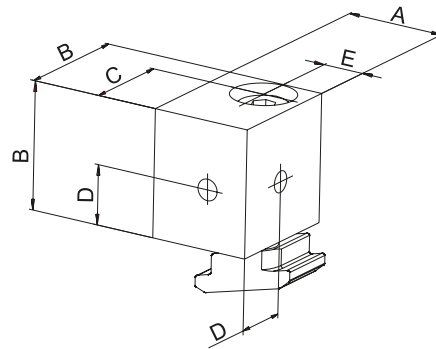
[mm]

Code No.	Type	Slot geometry	A	B	C	D	E	F
4008122	Block joint -L-	30	20	24	20	10	8	5.5
4018122	Block joint -L-	40	20	24	20	10	8	5.5
4004131	Fixing screw for panel	Wall thickness 2-8 mm	Socket head button screw M5x30 ISO 7380, Hexagon nut DIN 439					

Block joint -G-

Material:
Vibration finished aluminium,
galvanised steel parts

Includes:
Complete fixing set for profile as-
sembly.



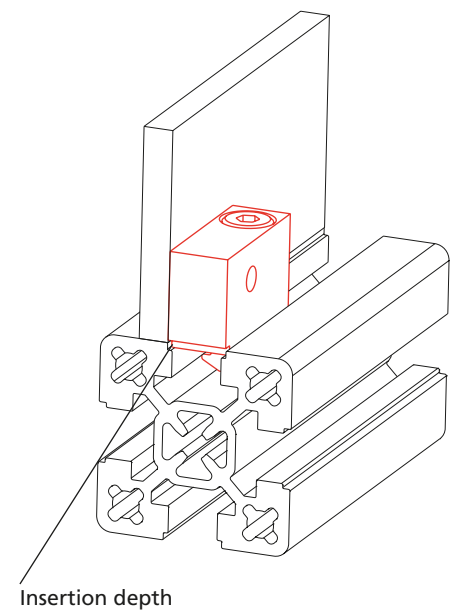
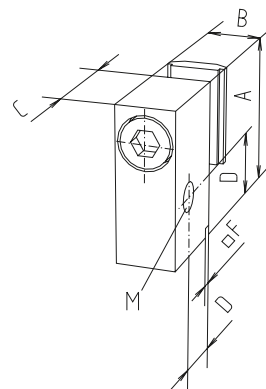
								[mm]
Code No.	Type	Slot geometry	A	B	C	D	E	
4015121	M6	40	24	30	22	14	10	
4025122	M8	40	24	30	22	14	10	
4085121	M6 for profile 50	40	34	30	22	14	15	
4085122	M8 for profile 50	40	34	30	22	14	15	

Block joint -K-

Material:
Vibration finished aluminium,
galvanised steel parts

Includes:
Complete fixing set for profile as-
sembly.

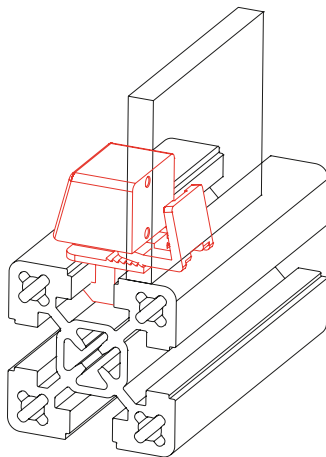
The insertion depth in the profile
is 1.5 mm.



									[mm]
Code No.	Type	Slot geometry	A	B	C	D	F	M	
4005123	M6	30	32	12	20	12.5	2	M6	
4015123	M6	40	32	12	20	12.5	2	M6	

Panels and accessories

Vario-Quick holding block R



- For retrofitting a wide variety of panels without screws in an existing profile structure
- Fixation by means of toothed snap-in clips. Spacers allow for

different distances from the profile edge

Clamping range for panels: 1-10 mm.

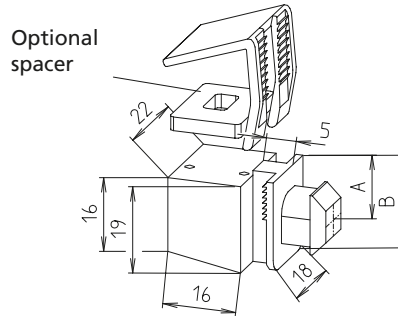
Panel cut length:

Frame internal dimension -6 mm all-round.

Material: Black plastic

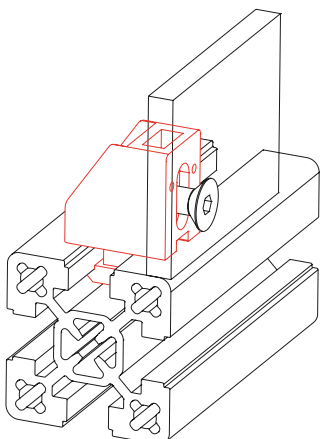
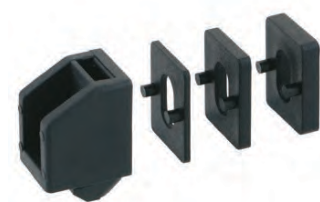
Includes:

1 pack of 10



Code No.	Type	Version	[mm]	
			A	B
4008123	Holding block R	30 slot geometry	5.5	20
4018123	Holding block R	40 slot geometry	8.5	20
4008132	Spacer R	2 mm	-	-
4008133	Spacer R	3 mm	-	-
4008135	Spacer R	5 mm	-	-

Vario-Quick holding block S



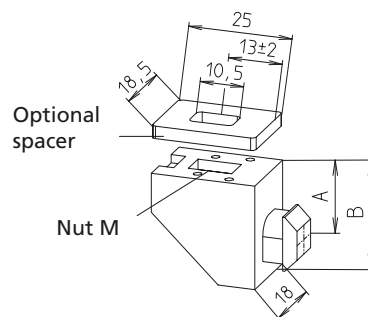
- For retrofitting a wide variety of panels in an existing profile structure
- The panel is screwed to the holding block.

■ Spacers allow for different distances from the profile edge

Material: Black plastic, galvanised nut

Includes:

1 pack of 10



Code No.	Type	Version	[mm]		
			A	B	M
4008164	Holding block S	30 slot geometry	5	18	M4
4018164	Holding block S	40 slot geometry	10	25	M4
4008124	Holding block S	30 slot geometry	5	18	M6
4018124	Holding block S	40 slot geometry	10	25	M6
4018132	Spacer S/L	2 mm	-	-	-
4018133	Spacer S/L	3 mm	-	-	-
4018135	Spacer S/L	5 mm	-	-	-

Vario-Quick holding block L



- For fixing various panels in a profile structure.
- The panel is screwed to the holding block.
- One fixing set connects one profile. The slot allows different

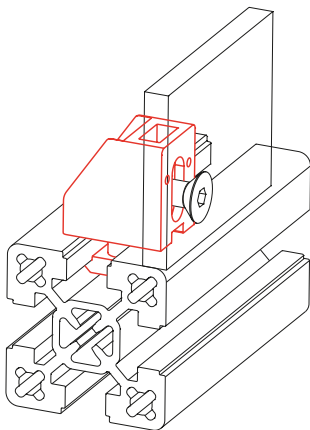
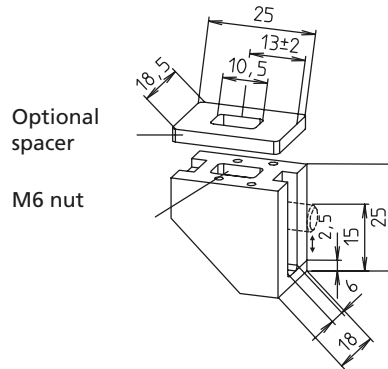
ent panel thicknesses to be fixed without spacers.

Material: Black plastic, galvanised nut

Includes:

1 pack of 10

The Order No. includes one complete fixing set (socket head cap screw, slot stone -F-) for mounting on profile

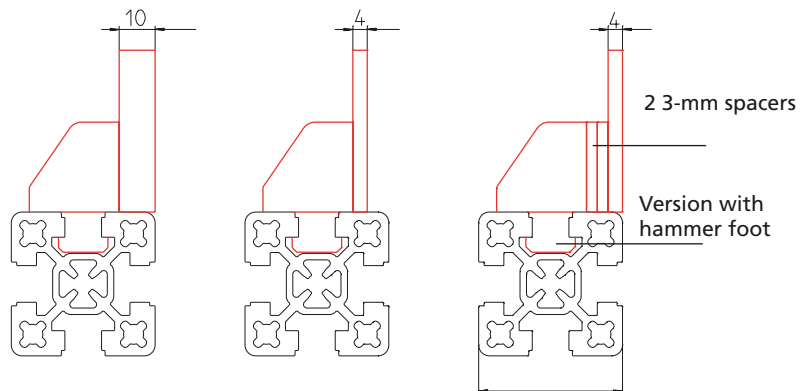


[mm]

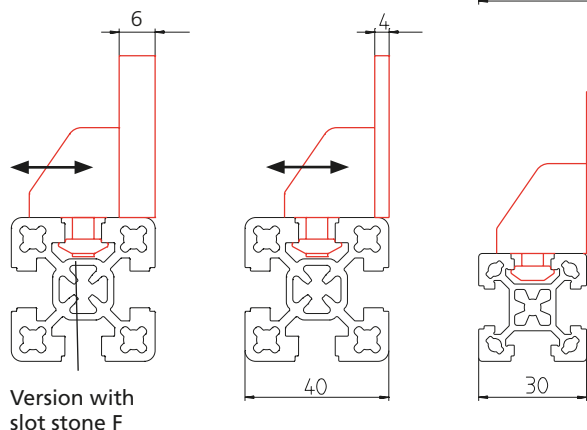
Code No.	Type	Version
4008126	Holding block L	30 slot geometry
4018126	Holding block L	40 slot geometry
4018132	Spacer S/L	2 mm
4018133	Spacer S/L	3 mm
4018135	Spacer S/L	5 mm

Application examples:

- **Vario-Quick holding block R/S**
Profile 40 combined with panel thickness 4 and 10 mm. Compensation using spacers (choice of 2, 3 or 5 mm)



- **Vario-Quick holding block L:**
Profile 40 combined with panel thickness 4 and 6 mm. Compensation using slot – if necessary, using spacers (choice of 2, 3 or 5 mm)



Panels and accessories

Vario-Quick holding block K/KK

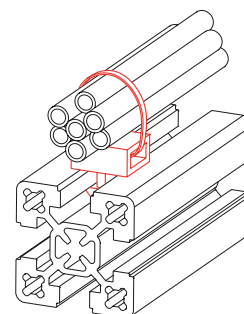
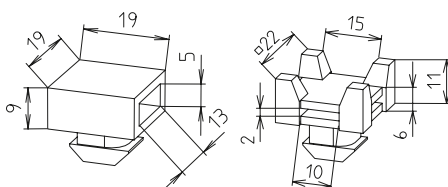
- For fixing cables and hoses
- It is possible to insert it into the profile slot retrospectively

Material: Black plastic
Includes:
 1 pack of 10

Type K



Type KK

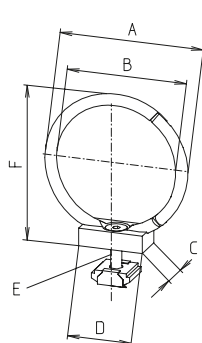


Code No.	Type	Version
4008125	Holding block K	30 slot geometry
4018125	Holding block K	40 slot geometry
4018127	Holding block KK	40 slot geometry

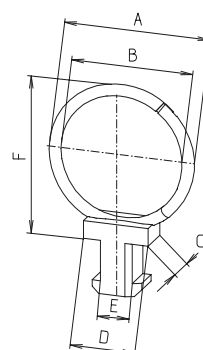
Vario-Quick cable bracket

- For routing cables and hoses
- Simply screwed into the slot
- Can be opened and reused without any problem

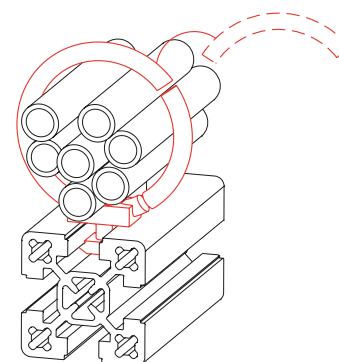
Material: Black plastic
Includes:
 1 pack of 10



Slot stone (N) version



Hammer foot (HF) version



[mm]

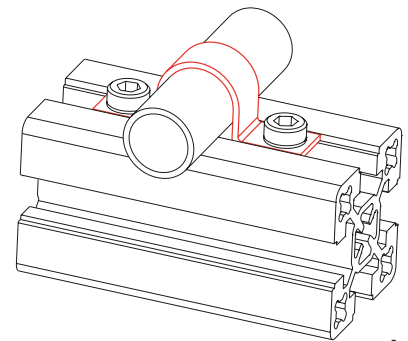
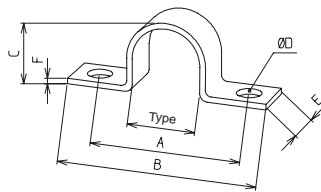
Code No.	Type	Slot geometry	A	B	C	D	E	F
4008140	15 HF	30	28.5	17	10	19	9.5	28.5
4018140	15 HF	40	28.5	17	10	19	9.5	28.5
4008144	15 N	30	28.5	17	12	20	M 5	28.5
4018144	15 N	40	28.5	17	12	20	M 5	28.5
4008141	25 HF	30	36.5	25	10	19	9.5	36.5
4018141	25 HF	40	36.5	25	10	19	9.5	36.5
4008145	25 N	30	36.5	25	12	20	M 5	36.5
4018145	25 N	40	36.5	25	12	20	M 5	36.5
4008142	35 HF	30	47.5	35	10	19	9.5	47.5
4018142	35 HF	40	47.5	35	10	19	9.5	47.5
4008146	35 N	30	47.5	35	12	20	M 5	47.5
4018146	35 N	40	47.5	35	12	20	M 5	47.5
4008143	45 HF	30	56.5	45	10	19	9.5	56.5
4018143	45 HF	40	56.5	45	10	19	9.5	56.5
4008147	45 N	30	56.5	45	12	20	M 5	56.5
4018147	45 N	40	56.5	45	12	20	M 5	56.5



Tube clamp

- For fixing tubes, hoses and cables

Material: Stainless steel, galvanised fixing set
Includes:
 1 pack of 10



[mm]

Code No.	Type	A	B	C	D	E	F
4010540	Ø6	28	41.5	6.8	6.5	12	1
4010541	Ø8	28	41.5	8.5	6.5	12	1
4010542	Ø10	33	46	10.5	6.5	12	1
4010543	Ø12	33	46	13	6.5	12	1
4010544	Ø14	35	48	15	6.5	12	1
4010545	Ø18	40	53	19.5	6.5	12	1.5
4010546	Ø20	40	53	21.2	6.5	12	1.5
4010547	Ø21.3	40	53	22.5	6.5	12	1.5
4010548	Ø27	47	60	28	6.5	12	1.5

Fixing set (for 10 tube clamps)

4000549	30 slot geometry
4010549	40 slot geometry

Panels and accessories

Sliding door profile

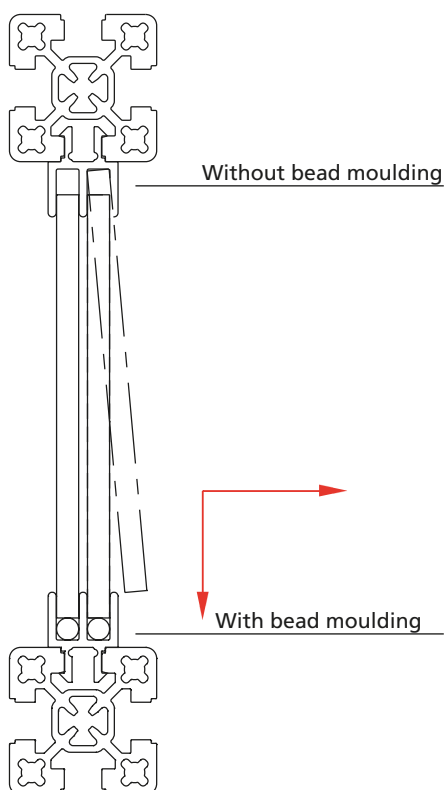
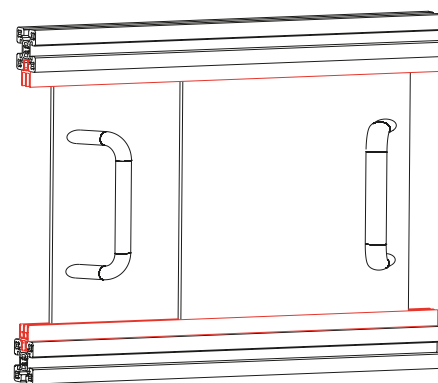
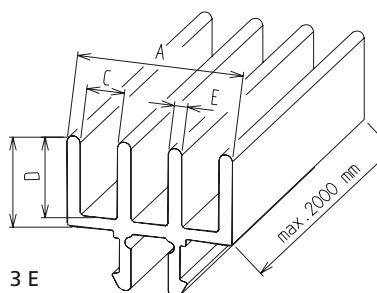
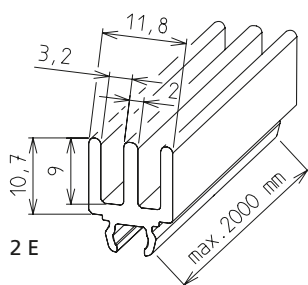
- The sliding door profile is inserted into the longitudinal slot of the BLOCAN® profile. Then the bead moulding is placed in the bottom sliding door profile. As illustrated in the diagram, the panels can now be inserted.

Material: Black plastic

Panel cut length:

Frame internal height -17 mm for 6 mm panels and -22 mm for 8 mm panels.

For sliding doors with a profile frame, the sliding piece on page 108 or the roller module in the safety guard section on page 432 must be used.



Code No.	Type	Slot geometry	A	B	C	D	E	mm
With bead moulding								
4000552	2E, cut to size	30	19	15	6.2	12.6	2	
4000550	2E, bar							
4010552	2E, cut to size	40	19	15	6.2	12.6	2	
4010550	2E, bar							
4010554	2E, cut to size	40	28	17.5	8.3	15	6	
4010553	2E, bar							

Code No.	Type	Slot geometry	A	B	C	D	E	mm
On request	3E, cut to size	40	27.4	15	6.2	13	2	
On request	3E, bar							
Without bead moulding								
4000553	2E, cut to size	30	19	15	6.2	12.6	2	
4000551	2E, bar							
4010555	2E, cut to size	40	19	15	6.2	12.6	2	
4010551	2E, bar							
4010557	2E, cut to size	40	28	17.5	8.3	15	6	
4010556	2E, bar							
On request	3E, cut to size	40	27.4	15	6.2	13	2	
On request	3E, bar							

Feet, castors and accessories

Versions



Foot -plastic-



Levelling foot



Eye bolt



Connecting plate
for foot



Base angle -steel-



Base angle -aluminium-



Base plate



Clamp FKV / FV



Base bracket



Base clamp FVV



Steering roller



Fixed castor



Foot rest FSH

Table of contents

Feet, castors and accessories

- Foot -plastic- p. 122
- Levelling foot p. 123
- Eye bolt..... p. 123
- Connecting plate for foot p. 124
- Base angle -steel- p. 126
- Base angle -aluminium- p. 127
- Base plate p. 128
- Clamp FKV / FV p. 129
- Base bracket p. 129
- Base clamp FVV p. 130
- Steering roller p. 132
- Fixed castor..... p. 133
- Foot rest FSH p. 134

Feet, castors and accessories

Foot

- Visually attractive
- Alternative to conventional levelling feet
- Height adjustment without tools

Material: Black plastic

Includes:

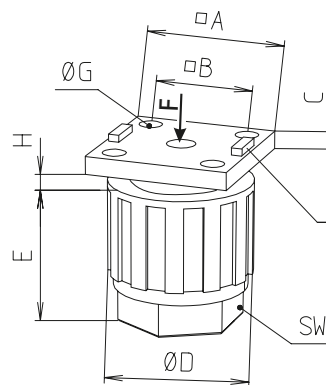
Complete foot with fastenings (galvanised) for connection to one profile.



Fixing in the slot



Fixing to the face



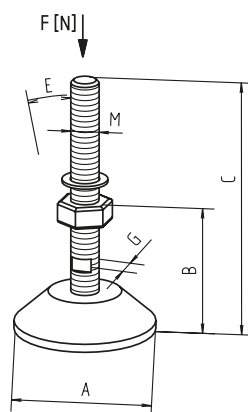
H = height adjustment

Centring pin (if necessary, can be removed with a pliers)

[mm]

Code No.	Slot geometry	A	B	C	D	E	G*	Max. H	Wrench size	F [N]
Fixing in the slot and to the face of the profile										
4008301	30	30	20.5	5	30	29.5	4.5	15	22	1000
4018301	40	40	28	5	40	39.5	6.6	23	30	1200
Fixing to the face of the profile (with connecting plate t = 15 mm)										
4300301	For F-30x60	30	20.5	5	30	29.5	4.5	15	22	1000
4310301	For F-30x80	30	20.5	5	30	29.5	4.5	15	22	1000
4290301	For F-30x100	30	20.5	5	30	29.5	4.5	15	22	1000
4320301	For F-30x120	30	20.5	5	30	29.5	4.5	15	22	1000
4330301	For F-30x160	30	20.5	5	30	29.5	4.5	15	22	1000

Levelling foot



Material:

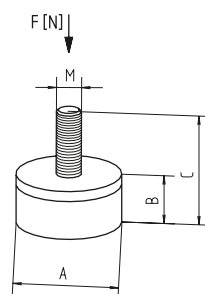
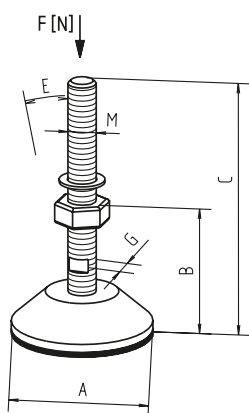
Galvanised steel parts, black plastic pivot plate. Fixation with foot connecting plates.

See page 124

[mm]

Code No.	Type	Version	A	B	C	M	E	G	F [N]
4006304	M8		47	20	52	M8	15°	12	1500
4016302	M10		50	25	93	M10	15°	12	3000
4016303	M12		80	24	117	M12	15°	12	7000
4026301	M16	Corrosion-resist.	80	29	156	M16	15°	13	10000
4046301	M20		60	39	185	M20	15°	16	10000
4696301	M20		100	39	185	M20	15°	16	10000
4696302	M20		123	61	207	M20	15°	16	20000

Levelling foot with vibration absorber



Material: Galvanised steel parts

Black plastic pivot plate.

Fixation with foot connecting plates.

See page 124.

[mm]

Code No.	Type	Version	A	B	C	M	E	G	F [N]
4006311	M6		25	12	28	M6	-	-	520
4016311	M8		30	15	33	M8	-	12	760
4016312	M10		50	25	94	M10	15°	12	3000
4016313	M12		80	26	119	M12	15°	12	7000
4026311	M16	Corrosion-resist.	80	32	159	M16	15°	13	10000
4046311	M20		60	42	188	M20	15°	16	10000
4696311	M20		100	39	188	M20	15°	16	10000
4046312	M20		123	70	215	M20	15°	16	10000

Eye bolt



Material:

Galvanised steel
Fixation with foot connecting plates.

See page 124

[mm]

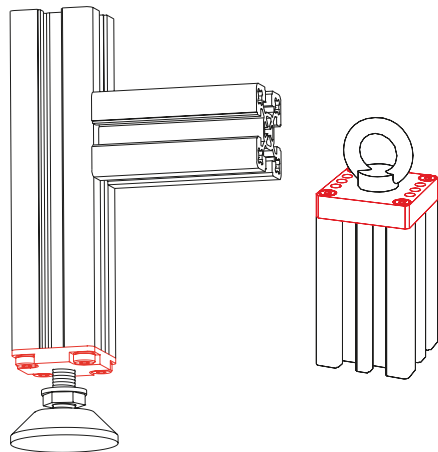
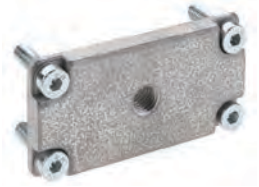
Code No.	Type	Version	A	B	C	D	M
4000300	M6	DIN 580	12	39	13,5	28	M6
4000301	M8	DIN 580	13	49	20	36	M8
4000302	M10	DIN 580	17	62	25	45	M10
4000303	M12	DIN 580	20,5	73,5	30	54	M12

Feet, castors and accessories

Connecting plate for levelling feet

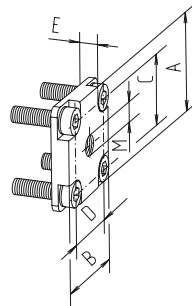
- Connecting plate with tapped hole for feet.
- Also suitable for taking eye bolts.

Includes:
Connecting plate incl. fastenings

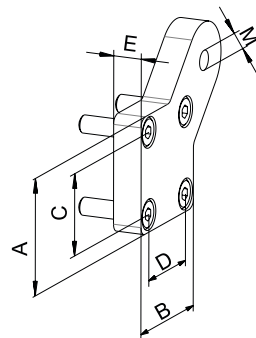


For feet and eye bolts, please see page 123

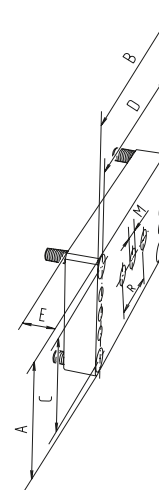
(1) Die-cast aluminium



(3) Die-cast zinc



(2) Aluminium



[mm]

Code No.	Type	Conne- ction	See figure	A	B	C	D	E	M	R
4574401	30x30	M8	3	30	30	21	21	10	M8	-
4305402	F-30x60	M6	2	30	60	21.5	48	15	M6	-
4305403	F-30x60	M8	2	30	60	21.5	48	15	M8	-
4295402	F-30x100	M6	2	30	100	21.5	88	15	M6	-
4295403	F-30x100	M8	2	30	100	21.5	88	15	M8	-
4295404	F-30x100	M10	2	30	100	21.5	88	15	M10	-
4295405	F-30x100	M12	2	30	100	21.5	88	15	M12	-
4D34400	40x40, F-40x40-L	M8	3	40	40	28	28	10	M8	-
4D34401	40x40, F-40x40-L	M10	3	40	40	28	28	10	M10	-
4D34402	40x40, F-40x40-L	M12	3	40	40	28	28	10	M12	-
4034404	40x80, F-40x80-L, F-40x80/3	M8	2	40	80	28	68	7	M8	-
4034402	40x80, F-40x80-L F-40x80/3	M10	2	40	80	28	68	7	M10	-
4034403	40x80, F-40x80-L, F-40x80/3	M12	2	40	80	28	68	7	M12	-
4655402	F-40x160	M8	2	40	160	28	148	15	M8	-
4655403	F-40x160	M10	2	40	160	28	148	15	M10	-
4655404	F-40x160	M12	2	40	160	28	148	15	M12	-
4655405	F-40x160	M16	2	40	160	28	148	15	M16	-

[mm]										
Code No.	Type	Connec- tion	See figure	A	B	C	D	E	M	R
4085401	F-50x50, F-50x50-L	M8	1	50	50	38	38	7	M8	-
4085402	F-50x50, F-50x50-L	M10	1	50	50	38	38	7	M10	-
4665402	F-50x100	M8	2	50	100	38	88	15	M8	-
4665403	F-50x100	M10	2	50	100	38	88	15	M10	-
4665404	F-50x100	M12	2	50	100	38	88	15	M12	-
4665405	F-50x100	M16	2	50	100	38	88	15	M16	-
4675402	F-50x200	M8	2	50	200	-	165.5	15	M8	-
4675403	F-50x200	M10	2	50	200	-	165.5	15	M10	-
4675404	F-50x200	M12	2	50	200	-	165.5	15	M12	-
4675405	F-50x200	M16	2	50	200	-	165.5	15	M16	-
4024405	60x60	M8	1	60	60	43/48	43/48	7	M8	-
4024402	60x60	M10	1	60	60	43/48	43/48	7	M10	-
4024403	60x60	M12	1	60	60	43/48	43/48	7	M12	-
4224402	F-60/1, F-60x60-L	M8	1	60	60	43/48	43/48	6.5	M8	-
4224403	F-60/1, F-60x60-L	M10	1	60	60	43/48	43/48	6.5	M10	-
4065402	F-60x120	M10	2	120	60	108	48	15	M10	-
4065403	F-60x120	M12	2	120	60	108	48	15	M12	-
4065404	F-60x120	M16	2	120	60	108	48	15	M16	-
4044404	80x80, F-80/2, F-80-L, F-80x80/2-L	M10	1	80	80	68	68	8	M10	-
4044405	80x80, F-80/2, F-80-L, F-80x80/2-L	M12	1	80	80	68	68	8	M12	-
4044402	80x80, F-80/2, F-80-L, F-80x80/2-L	M16	1	80	80	68	68	8	M16	-
4044403	80x80, F-80/2, F-80-L, F-80x80/2-L	M20	1	80	80	68	68	8	M20	-
4685402	F-80x120	M10	2	80	120	68	108	15	M10	-
4685403	F-80x120	M12	2	80	120	68	108	15	M12	-
4685404	F-80x120	M16	2	80	120	68	108	15	M16	-
4685405	F-80x120	M20	2	80	120	68	108	15	M20	-
4075403	F-80x160, F-80x160-L	M12	2	160	80	148	68	15	M12	44
4075404	F-80x160, F-80x160-L	M16	2	160	80	148	68	15	M16	44
4075405	F-80x160, F-80x160-L	M20	2	160	80	148	68	15	M20	44
4695402	F-100x100	M10	1	100	100	65.5	50	15	M10	-
4695403	F-100x100	M12	1	100	100	65.5	50	15	M12	-
4695404	F-100x100	M16	1	100	100	65.5	50	15	M16	-
4695405	F-100x100	M20	1	100	100	65.5	50	15	M20	-
4164402	F-120x120	M10	1	120	120	80	80	15	M10	-
4164403	F-120x120	M12	1	120	120	80	80	15	M12	-
4164404	F-120x120	M16	1	120	120	80	80	15	M16	-
4164405	F-120x120	M20	1	120	120	80	80	15	M20	-

Feet, castors and accessories

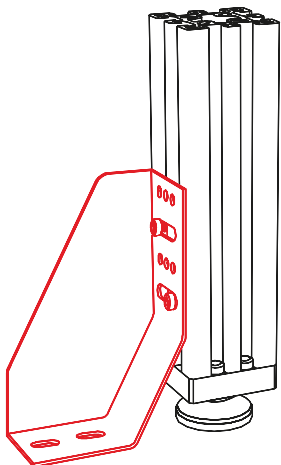
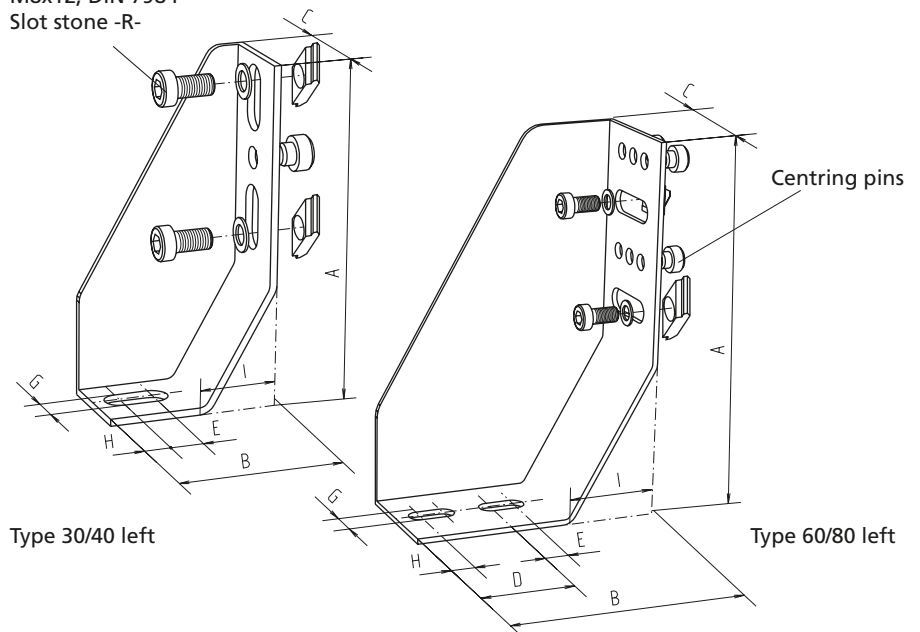
Base angle –sheet steel–

- For fixing frames, work tables and machines
- Complete set including fastenings
- Angle can be retrospectively fixed to the profile with slot stone -R-
See page 86

Material:
Powder-coated sheet steel St 37, 3 mm thick, black textured paint.



Socket head cap screw
M8x12, DIN 7984
Slot stone -R-



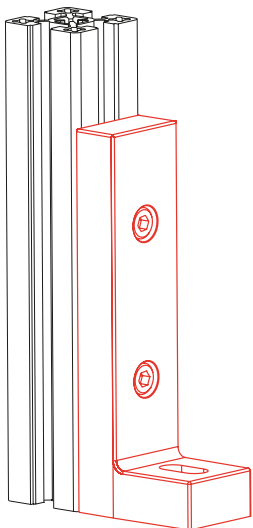
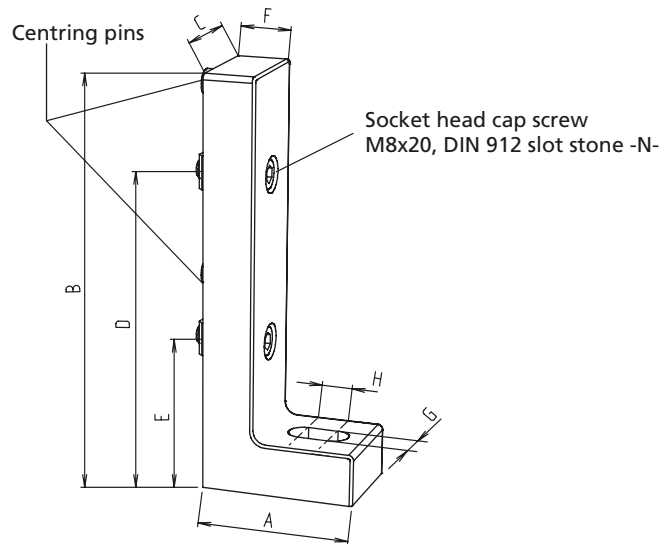
Code No.	Type	A	B	C	D	E	G	H	I
4001300	30/40 left	100	50	28	–	10	9	–	18
4001301	30/40 right	100	50	28	–	10	9	–	18
4021300	60/80 left	150	100	48	40	10	9	10	32
4021301	60/80 right	150	100	48	40	10	9	10	32
4016605	Floor fixing M8x60								

[mm]

**Base angle
–aluminium–**

- For fixing frames, work tables and machines
- Complete set including fastenings
- Angle is fixed to the profile with slot stones -N-. See page 85

Material:
Black powder-coated gravity die-cast aluminium



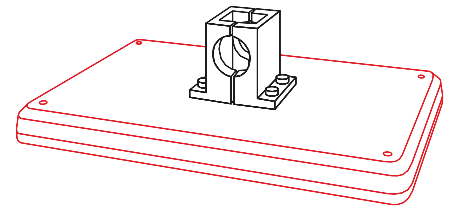
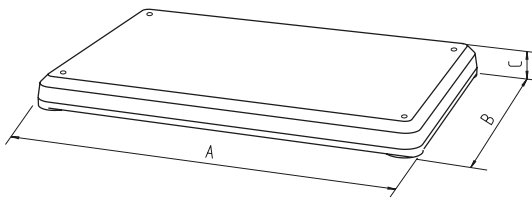
		[mm]								
Code No.	Type	A	B	C	D	E	F	G	H	
4011302	40 slot geometry	60	160	40	120	55	20	11	12	
4016604	Floor fixing M8x115									

Feet, castors and accessories

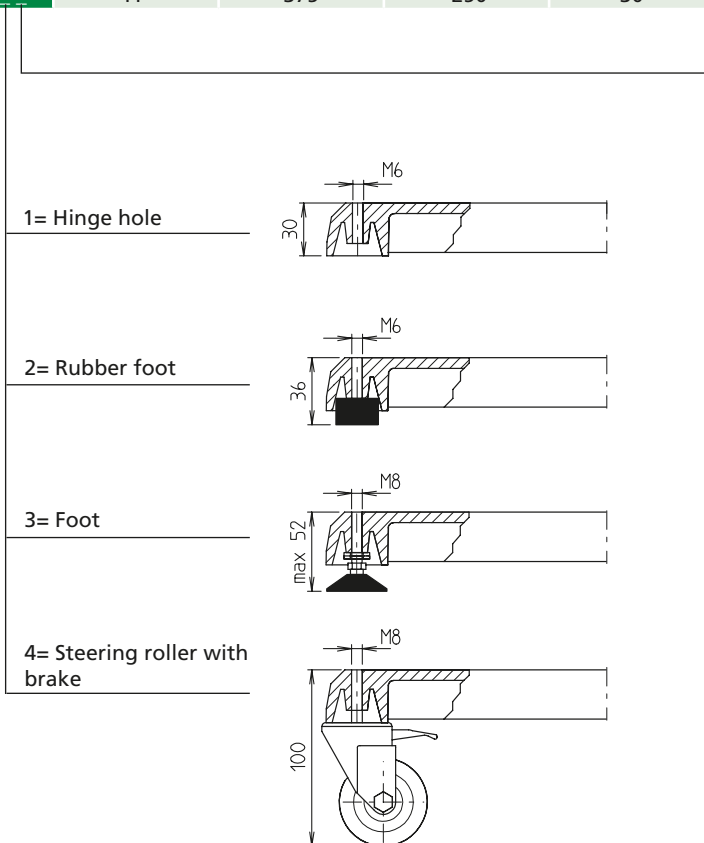
Base plate

- Optionally available with hole, rubber foot, foot or steering roller
- Optional filling (steel plate) available to raise the overturning moment

Material:
Vibration finished gravity die-cast aluminium
(powder-coating on request)



Code No.	Type	A	B	C
230 000 100 20	FP	375	250	30



_ = Without filling,
overturning moment 3 Nm

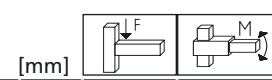
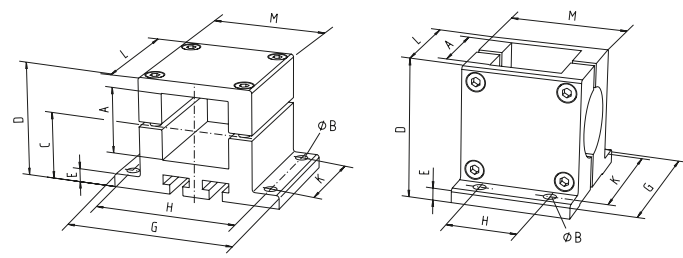
Y = Cavity with steel plate (m = 4.6 kg),
Overturning moment 6 Nm



Clamp

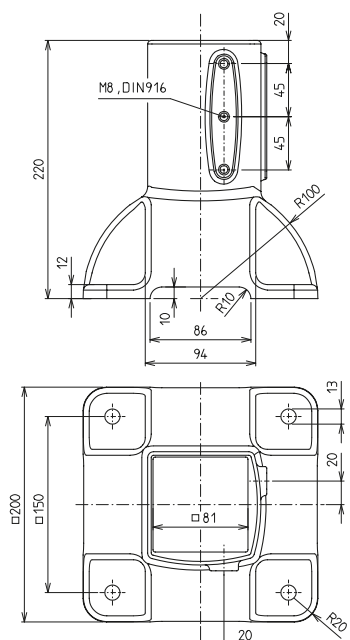


Material: Aluminium.
Stainless steel fixing
For further clamping elements,
please refer to the catalogue
"Connecting Technology"

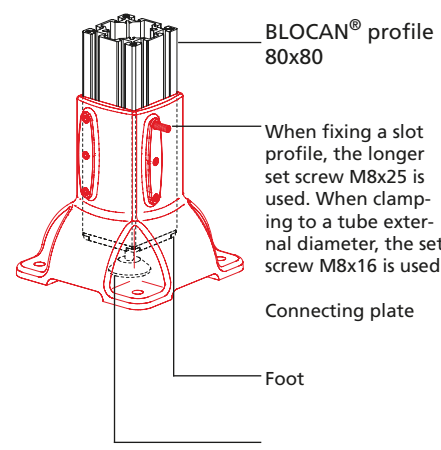


Code No.	Type	A	Ø B	C	D	E	G	H	K	L	M	F [N]	M [Nm]
52300005030	FKV 30	30.2	7	30	51	6	84	70	40	56	56	2700	310
52400005030	FKV 40	40.3	7	40	68	8	97	83	54	68	68	2700	770
52500005030	FKV 50	50.4	9	50	85	10	125	105	65	85	85	-	-
52600005030	FKV 60	60.3	9	62.5	111	12	145	120	80	105	105	-	-
52800005030	FKV 80	80.4	11	80	136	16	170	148	80	126	126	-	-
53300005030	FV 30	30.2	7	-	58	6	70	28	56	42	56	3100	300
53400005030	FV 40	40.3	7	-	74	8	85	40	70	56	68	3500	980
53500005030	FV 50	50.4	9	-	92	10	110	50	90	70	84	-	-
53600005030	FV 60	60.4	9	-	112.5	12	137	80	120	97	105	-	-
53800005030	FV 80	80.4	11	-	142	16	156	80	135	112	126	-	-

Base bracket BAK-80



Material: Silver powder-coated gravity die-cast aluminium, stainless steel fixing



Code No.	Type	Version
4040501	Base bracket BAK-80	with set screw M8x25 DIN916-A
4049500	Set screws M8x16 DIN916-A	Pack of 6 set screws
4016302	Levelling foot M10	Length 93 mm, plate Ø 50 mm
4019302	Levelling foot M10, corrosion-resistant	Length 93 mm, plate Ø 50 mm
4044404	Connecting plate for levelling foot	for BLOCAN profile S/F-80
4016606	Fixing bolt	8x60, hole diameter 12 mm

Feet, castors and accessories

Base clamp FVV



- Base clamp to take size 40 BLO-CAN® profiles or size 40 square tubes.
- Set screws can be used to compensate for unevenness. Supporting shims, placed under the foot, prevent the set screws from digging into the floor.

Material: ground finished die-cast aluminium, zinc plated fixing

Supporting/Levelling shims

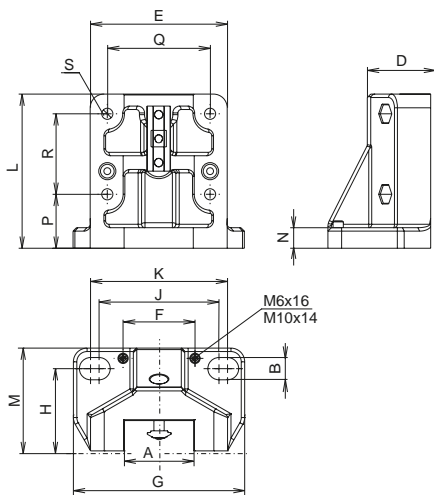


- The levelling shims give the foot clamp a full contact surface on uneven ground.

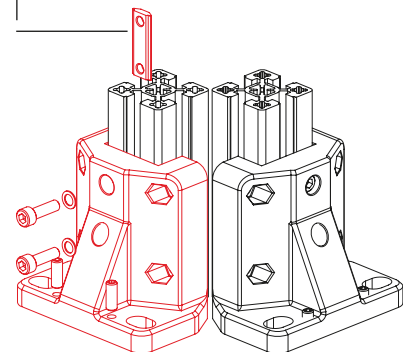
Material: zinc plated steel

Code No.	Type	Includes
4014301	Levelling shims for FVV 40	4 1-mm shims, 1 0.5-mm shim

FVV-NH



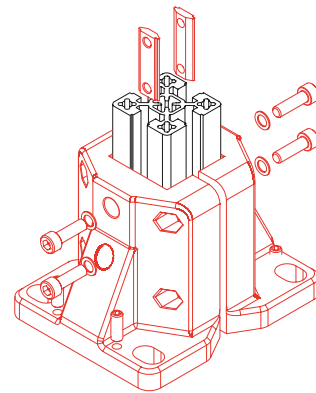
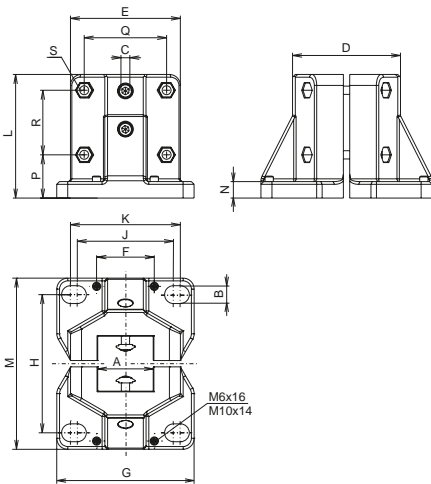
Clamping using slot stone -L-



Code No.	Type	A	C	D	E	F	G	H	J	K	L	M	N	P	Q	R	S	Weight
4014310	FVV-NH 40	40.4	12.5	39.5	80	42	100	50	70	80	90	62.5	12	31.5	60	47	Ø6.5	399 g

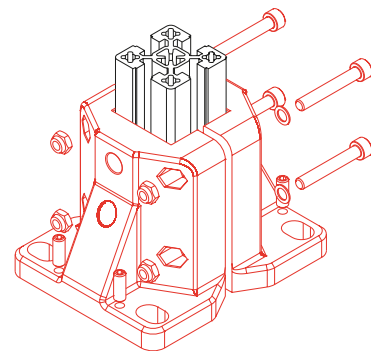
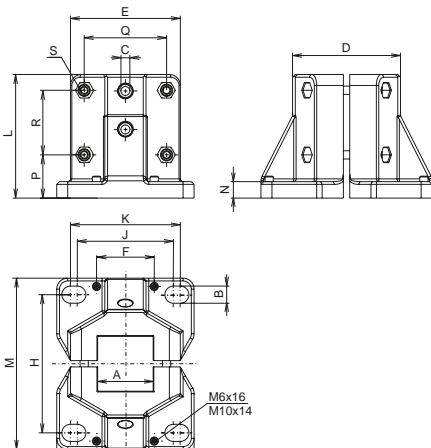


FVV-N



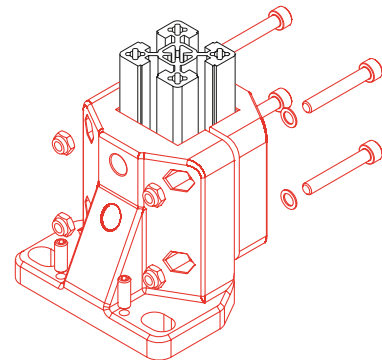
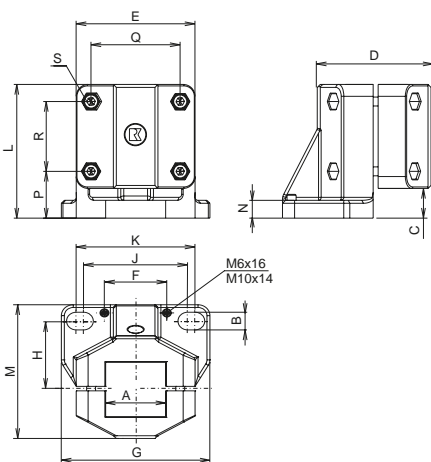
Code No.	Type	A	B	C	D	E	F	G	H	J	K	L	M	N	P	Q	R	S	Weight
4014311	FVV-N 40	40.4	12.5	6.5	79	80	42	100	100	70	80	90	125	12	31.5	60	47	M6x45	797 g

FVV-S



Code No.	Type	A	B	C	D	E	F	G	H	J	K	L	M	N	P	Q	R	S	Weight
4014312	FVV-S 40	40.4	12.5	6.5	79	80	42	100	100	70	80	90	125	12	31.5	60	47	M6x45	805 g

FVV-D



Code No.	Type	A	B	C	D	E	F	G	H	J	K	L	M	N	P	Q	R	S	Weight
4014313	FVV-D 40	40.4	12.5	20	75	80	42	100	50	70	80	90	98	12	31.5	60	47	M6x45	633 g

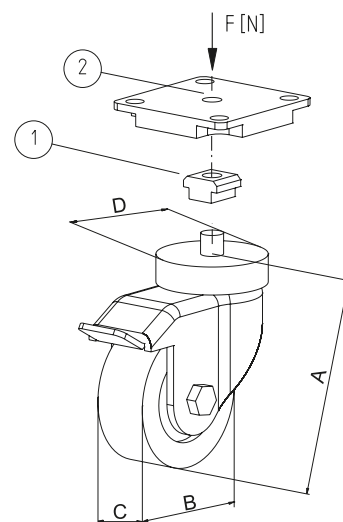
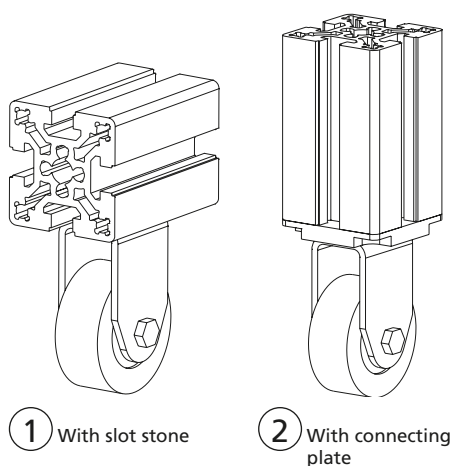
Feet, castors and accessories

Lockable steering roller



■ The steering roller mobilises frames, tables and superstructures. It is available with a 1-hole fixing or with fixing plate. In addition, each version has a combined roller and swivel locking device. Both the roller and the swivel head have ball bearings, which ensures that they run smoothly even under load. The rollers are not electrically conductive.

Material: Galvanised steel
Includes: Depending on the version, with connecting plate or slot stone.



Code No.	Type	Suitable for:	A	B	C	D	Resist. F [N]
4016646	With slot stone	30 geometry (1)	70	50	20	39	400
4016648	With slot stone	40 geometry (1)	70	50	20	39	400
4006654	30x30	F-30x30 (2)	70	50	20	39	400
4016654	40x40, F-40x40-L	F-profiles 40 (2)	70	50	20	39	400
4306644	F-30x60	F-profiles 30x60 (2)	70	50	20	39	400
4296644	F-30x100	F-profiles 30x100 (2)	100	75	25	39	600
4656644	F-40x160	F-profiles 40x160 (2)	100	75	25	39	600
4086644	F-50x50, F-50x50-L	F-profiles 50 (2)	70	50	20	39	400
4666644	F-50x100	F-profiles 50x100 (2)	100	75	25	39	600
4676644	F-50x200	F-profiles 50x200 (2)	100	75	25	39	600
4026644	60x60	F-profiles 60 (2)	100	75	25	39	600
4026648	60x60	F-profiles 60 (2)	133	100	32	53	900
4226644	F-60x60-L, F-60x60/1	F-profiles 60-L (2)	100	75	25	39	600
4066648	F-60x120	F-profiles 60x120 (2)	133	100	32	53	900
4036644	40x80, F-40x80-L, F-40x80/3	F-profiles 40x80 (2)	70	50	20	39	400
4046644	80x80, F-80x80-L	F-profiles 80 (2)	100	75	25	39	600
4046648	80x80, F-80x80-L	F-profiles 80 (2)	133	100	32	53	900
4686644	F-80x120	F-profile 80x120 (2)	133	100	32	53	900
4076644	F-80x160, F-80x160-L	F-profiles 80x160 (2)	100	75	25	39	600
4076648	F-80x160, F-80x160-L	F-profiles 80x160 (2)	133	100	32	53	900
4696644	F-100x100	F-profiles 100x100 (2)	133	100	32	53	900
4166644	F-120x120	F-profiles 120x120 (2)	182	150	32	53	1100

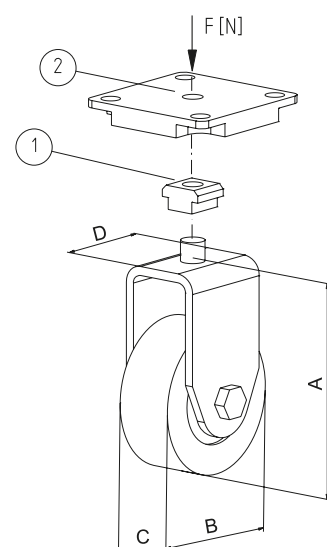
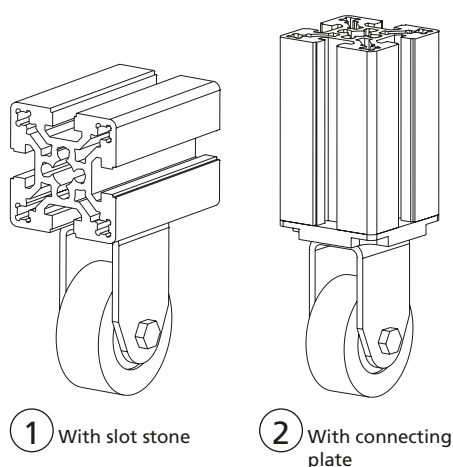
[mm]

Fixed castor



■ The fixed castor is the ideal complement to the steering roller. Combining 2 fixed castors with steering rollers makes it easier to manoeuvre the superstructure. Fixed castors should be mounted on the front end. The rollers are not electrically conductive.

Material: Galvanised steel
Includes: Depending on the version, with connecting plate or slot stone.



Code No.	Type	Suitable for:	A	B	C	D	Resist. F [N]
4006647	With slot stone	30 geometry (1)	70	50	20	34	400
4016647	With slot stone	40 geometry (1)	70	50	20	34	400
4006655	30x30	F-30x30 (2)	70	50	20	34	400
4016655	40x40, F-40x40-L	F-profiles 40 (2)	70	50	20	34	400
4306645	F-30x60	F-profiles 30x60 (2)	70	50	20	34	400
4296645	F-30x100	F-profiles 30x100 (2)	100	75	25	34	600
4656645	F-40x160	F-profiles 40x160 (2)	100	75	25	34	600
4086645	F-50x50, F-50x50-L	F-profiles 50 (2)	70	50	20	34	400
4666645	F-50x100	F-profiles 50x100 (2)	100	75	25	34	600
4676645	F-50x200	F-profiles 50x200 (2)	100	75	25	34	600
4026645	60x60	F-profiles 60 (2)	100	75	25	34	600
4026649	60x60	F-profiles 60 (2)	133	100	32	53	900
4226645	F-60x60-L, F-60x60/1	F-profiles 60-L (2)	100	75	25	34	600
4066645	F-60x120	F-profiles 60x120 (2)	100	75	25	34	600
4066649	F-60x120	F-profiles 60x120 (2)	133	100	32	53	900
4036645	40x80, F-40x80-L, F-40x80/3	F-profiles 40x80 (2)	70	50	20	34	400
4046645	80x80	F-profiles 80 (2)	100	75	25	34	600
4046649	80x80	F-profiles 80 (2)	133	100	32	53	900
4686645	F-80x120	F-profile 80x120 (2)	133	100	32	53	900
4076645	F-80x160, F-80x160-L	F-profiles 80x160 (2)	100	75	25	34	600
4076649	F-80x160, F-80x160-L	F-profiles 80x160 (2)	133	100	32	53	900
4696645	F-100x100	F-profiles 100x100 (2)	133	100	32	53	900
4166645	F-120x120	F-profiles 120x120 (2)	182	150	32	53	1100

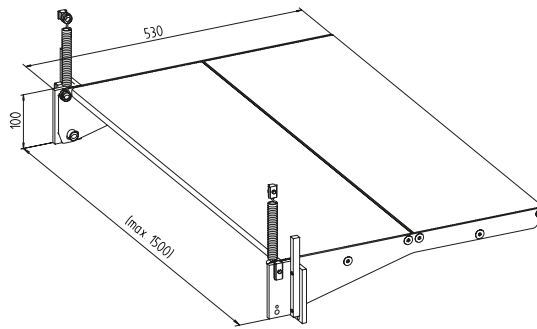
[mm]

Feet, castors and accessories

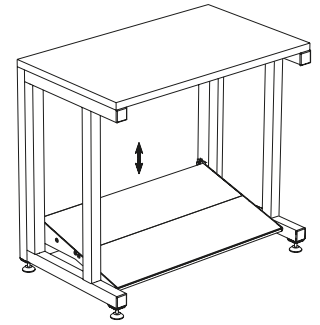
Foot rest FSH

- Individual, infinitely variable adjustment to different persons
- Height adjustment without time-consuming assembling by means of spring adjustment

Material: Clear anodised extruded aluminium profile tread, polyamide plastic sliding pieces, galvanised steel parts



Application example



Code No.	Suitable for profile
4010642	All as of 40 slot geometry (except F-50 and L-profiles)

Width
[mm]



RK Easywork
assembly workstation systems
See also from page 449



Fittings

Versions



Butt hinge -aluminium-



Butt hinge -plastic-



Lift off hinge -aluminium-



Lift off hinge -plastic-



Lever cylinder lock



Ball catch



Magnetic lock



Door stopper



Handle



Handle profile



Handle/Handrail



Safety switch
AZ



Safety switch
AZM

Table of contents

Fittings	<ul style="list-style-type: none"> ■ Butt hinge -aluminium- p. 138 ■ Butt hinge -plastic-..... p. 139 ■ Lift off hinge -aluminium- p. 140 ■ Lift off hinge -plastic- p. 141 ■ Lever cylinder lock p. 142 ■ Ball catch p. 142 ■ Magnetic lock p. 143 ■ Door stopper p. 144 ■ Handle p. 144 ■ Handle profile p. 145 ■ Handle/Handrail p. 145
Electrical accessories	<ul style="list-style-type: none"> ■ Safety switch AZ..... p. 146 ■ Safety switch AZM p. 148

Fittings

Butt hinge

- Can be installed on all struts and panels. The exact position of the hinge is determined by fixing pins, which can be replaced depending on the purpose.

Material:
Black anodised aluminium, galva-nised steel.

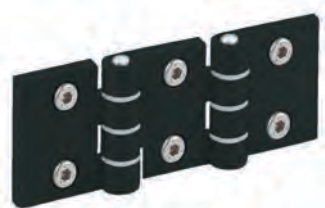
Complete with fixing set (for pro-file assembly).



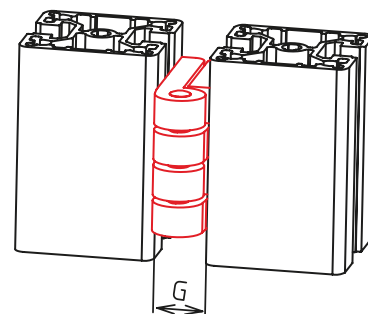
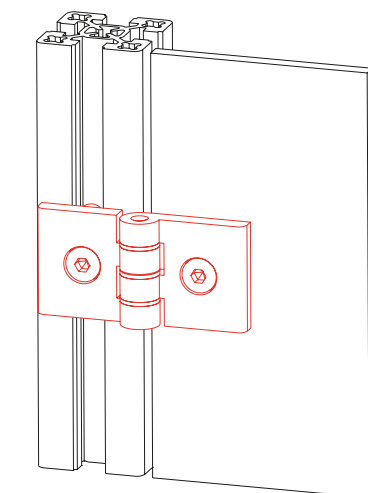
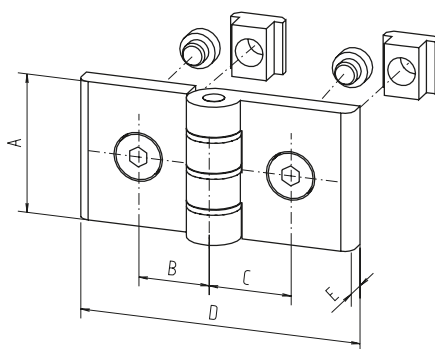
Version 1



Version 2



Version 3



[mm]

Code No.	Type	Version	A	B	C	D	E	G
Butt hinge 2-part								
4005525	30x30	1	50	17	17	56	7	13
4005526	30x30 to 40x40	1	50	17	17	56	7	13
4015525	40x40	2	40	22	22	79	7	15
4045526	40x40 to 60x60	2	40	22	32	79	7	15
4085525	F-50x50	2	40	27	27	79	7	15
4025525	60x60 (except F-60x60)	2	40	32	32	79	7	15
Butt hinge 3-part								
4015517	40	3	45	22	22	123	7	-

Hinge assembly variants:

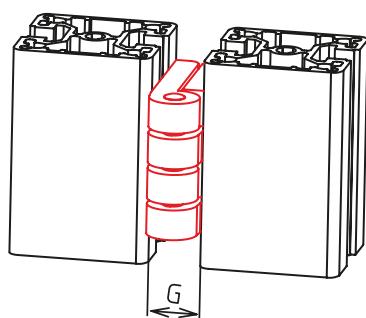
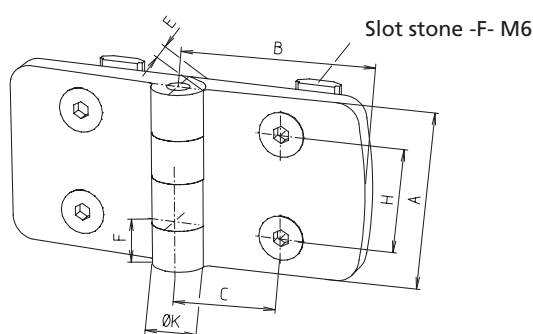


Butt hinge

- For mounting on all struts and panels
- The exact position of the hinge is determined by fixing pins – these can be bent with a pliers if required

Material:
Black plastic, galvanised steel

Fixing set:
The fixing set is not included in the Order No. and must be ordered separately.



[mm]

Type	A	B	C	E	F	G	H	K
30	48	29.5	17.5	9	12	18	28	14
40	48	38.5	22.5	9	12	18	28	14
50	48	48.5	27.5	9	12	18	28	14
60	48	57.5	32.5	9	12	18	28	14

Fixing set

Code No. for one hinge half	Slot geometry
4006520	30 (slot stone -F-)
4016520	40 (slot stone -F-)

Post	Code No. Butt hinge			
	Door profile 30	Door profile 40	Door profile 50	Door profile 60
Profile 30	4008510	–	–	–
Profile 40	4008511	4008514	–	–
Profile 50	4008512	4008515	4008517	–
Profile 60	4008513	4008516	4008518	4008519

Fittings

Lift off hinge



Version 1

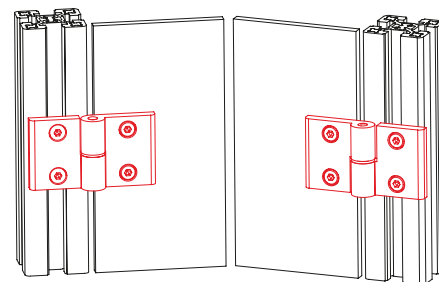
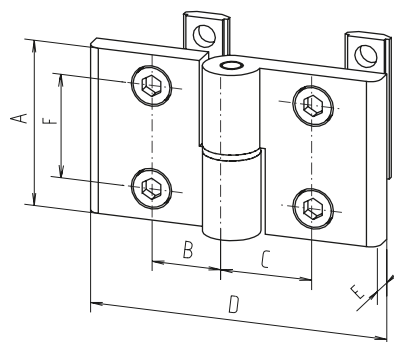


Version 2

- The narrow lift off hinges are generally mounted between two profiles to save space.
- Flaps or doors can be dismantled simply by lifting them off

Material:
Black anodised aluminium, galva-
nised steel

Complete with fixing set (for pro-
file assembly).



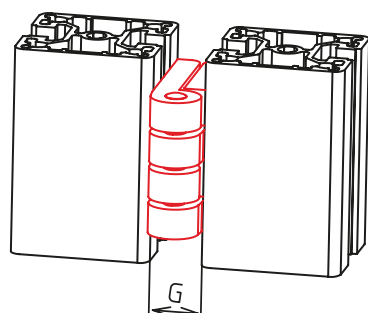
Code No.	Slot geometry	Version	A	B	C	D	E	F	G
Lift off hinge 2-part									
4015520	40	1, left	45	22	22	79	7	28	15
4015521	40	1, right	45	22	22	79	7	28	15
4045521	40	1, left	45	22	32	79	7	28	15
4045522	40	1, right	45	22	32	79	7	28	15
Lift off hinge 3-part									
4015515	40	2	45	22	22	123	7	28	-

[mm]

Lift off hinge (narrow version)



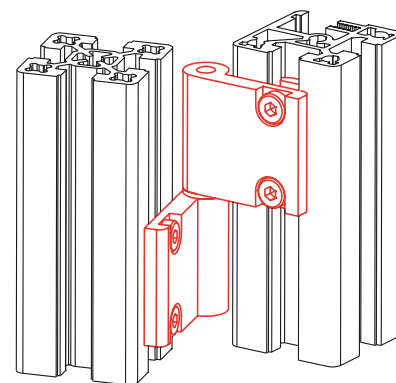
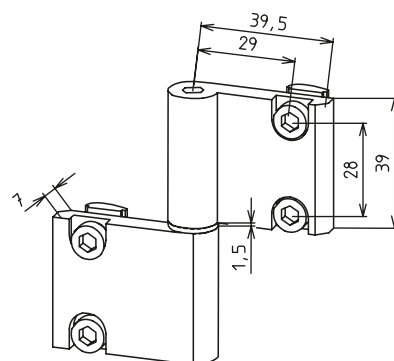
Right version



- Can be mounted on all struts and panels. Flaps or doors can be dismantled simply by lifting them off.

Material:
Black anodised aluminium, galva-
nised steel

Complete with fixing set (for pro-
file assembly).



Code No.	Slot geometry	Version	G
4015527	30	Left	7.5
4015526	30	Right	7.5
4015523	40	Left	7.5
4015522	40	Right	7.5

[mm]

Lift off hinge

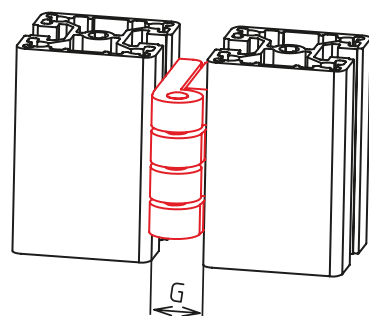
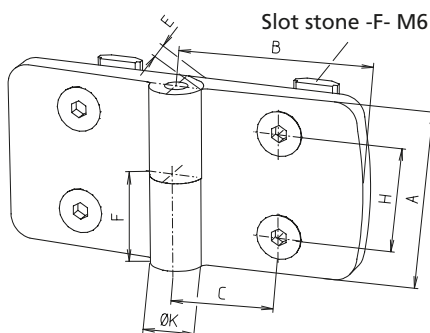
- Can be installed on all struts and panels.
- Flaps or doors can be dismantled simply by lifting them off.
- The exact position of the hinge is determined by fixing pins, which can be bent with a pliers if required.
- The sizes can be combined with each other.

Material:

Black plastic, galvanised steel

Fixing set:

The fixing set is not included in the Order No. and must be ordered separately.



[mm]

Type	A	B	C	E	F	G	H	K
30	48	29.5	17.5	9	24	18	28	14
40	48	38.5	22.5	9	24	18	28	14
50	48	48.5	27.5	9	24	18	28	14
60	48	57.5	32.5	9	24	18	28	14

Fixing set

Code No. for one hinge half	Slot geometry
4006520	30 (slot stone -F-)
4016520	40 (slot stone -F-)

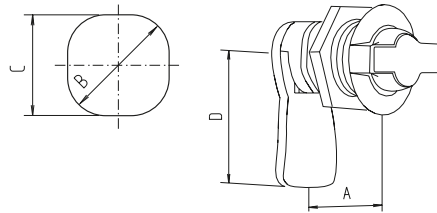
Version	Post	Code No. Butt hinge			
		Door profile 30	Door profile 40	Door profile 50	Door profile 60
Right	Profile 30	4008530	–	–	–
	Profile 40	4008532	4008540	–	–
	Profile 50	4008534	4008542	4008550	–
	Profile 60	4008536	4008544	4008552	4008560
Links	Profile 30	4008531	–	–	–
	Profile 40	4008533	4008541	–	–
	Profile 50	4008535	4008543	4008551	–
	Profile 60	4008537	4008545	4008553	4008561

Fittings

Lever cylinder lock

- Complete with 2 keys. For locking lightweight doors and flaps

Material: Plastic, galvanised steel.

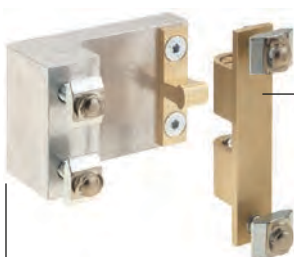


Code No.	Type	A	B	C	D
4016600	15	15	22.5	21	45
4026600	25	25	22.5	21	45

[mm]

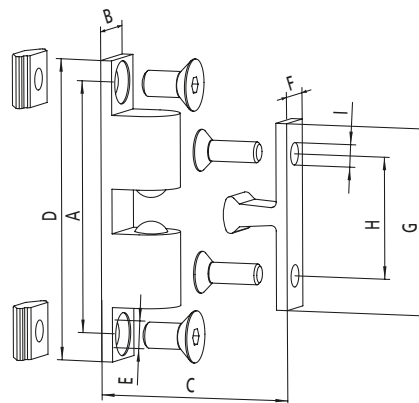
Ball catch

Material:
Aluminium, brass
Fixing set:
Galvanised steel



Door stop

Material:
Brass



Code No.	Type	A	B	C _{min}	D	E	F	G	H	I
4010606	Without door stop	48.5	11.8	15.8	58	5.3	8.6	36	23.5	4.3
4000608										
4010607										
4010608										
4000609										
4010609										

[mm]

Magnetic lock

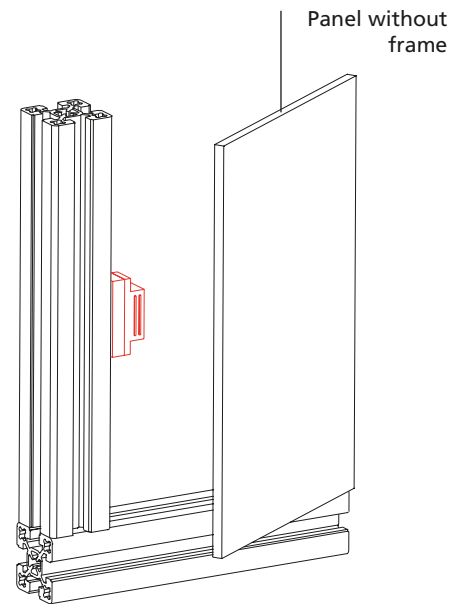
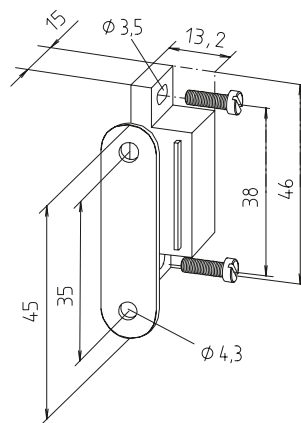
- Suitable from profile size 40
- Complete with fixing set

Material:
Aluminium, plastic, galvanised steel

Magnetic lock with striker – Installed in panel *without* frame



Magnetic lock with striker – Installed in panel *with* frame



Code No.	Profile assembly	Installation	Sim. to fig.
4010605	All, except 30	Without frame	1
4010604	All, except 30	Profiles centr.	2
4000610	30 to 30	Profiles centr.	2
4010611	40 to 30	Profiles centr.	2
4010612	40 to 30	Profiles flush	3
4080603	50 to 30	Profiles flush	3
4080606	50 to 40	Profiles centr.	2
4080604	50 to 40	Profiles flush	3

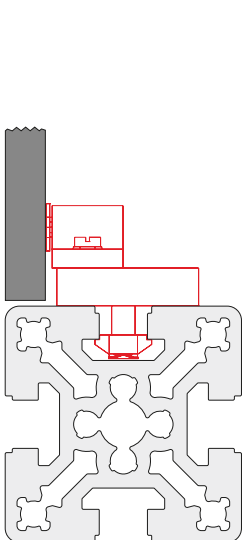


Fig. 1

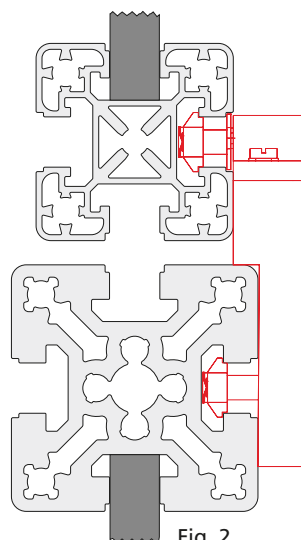


Fig. 2

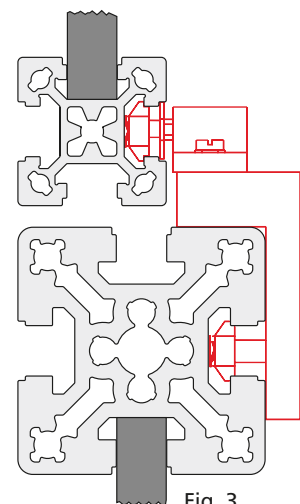
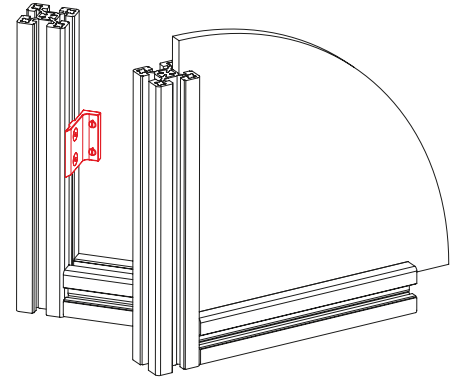
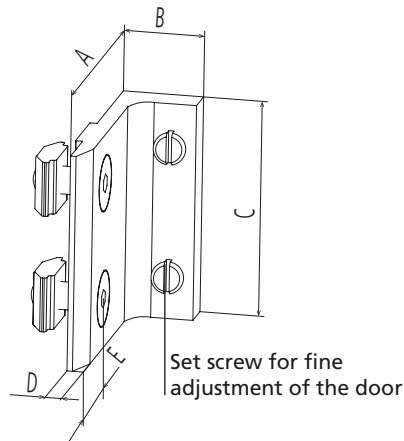


Fig. 3

Fittings

Door stopper

Material: Black plastic, galvanised steel
Complete with fixing set:



Code No.	Slot geometry	A	B	C	D	E	[mm]
4008650	30	34	14.7	40	3	11	
4018650	40	44	14.7	40	3	16	

Handle

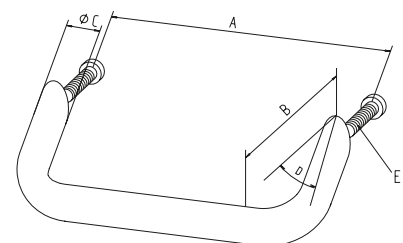
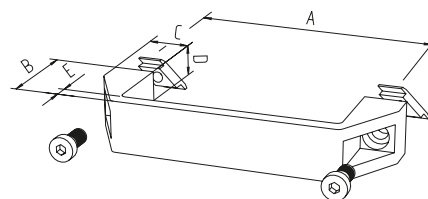
Material size 150 and 197:
PP plastic
Material size 152:
Black anodised aluminium
Complete with fixing set:
Aluminium
Other handles available on request.



Size 150 and 197



Size 152

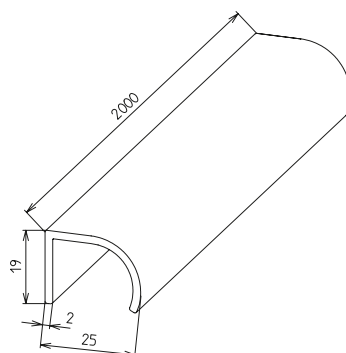
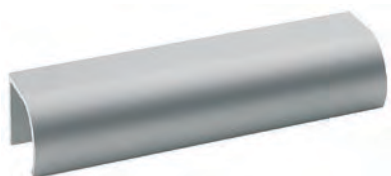


Code No.	Size	Slot geometry	A	B	C	D	E	[mm]
4005596	152	Drill	128	50	20	35°	M6x30	
4015598	152	Drill	128	50	20	35°	M6x40	
4008596	150	30	131	44	22	27	7	
4015596	150	40	131	44	22	27	7	
4015597	197	40	178	50	22	28	8	

Handle profile

- The elegant handle profile is supplied as bar material and can be cut to length as required. The customer must drill the fixing holes.

Material: Aluminium

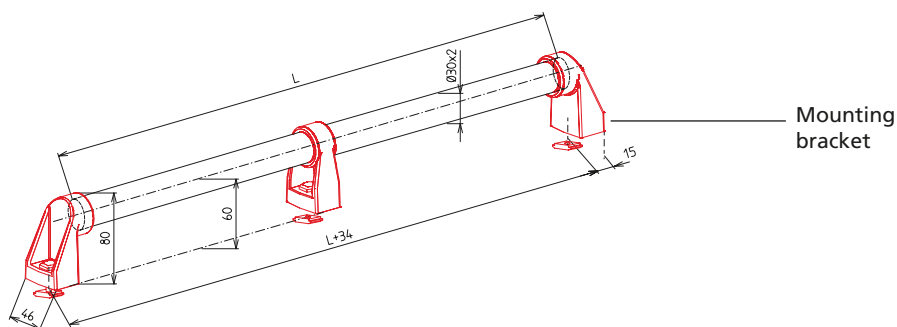


Code No.	Type
4015595	Handle profile, 2000 mm bar

Handle/Handrail

- This handle/handrail can be retrospectively fixed to the profile slot using slot stone -R-. An anodised aluminium tube, available to cut to length or as bars, serves as the grip surface. For tube lengths above 1000 mm, a central mounting bracket is recommended.

Material: Black plastic mounting brackets, galvanised fastenings. Aluminium tube



Central mounting bracket recommended as of $L > 1000$ mm

Code No.	To slot geometry	Type
4018501	40	2x mounting brackets, $L < 1000$ mm
4018502	40	2x mounting brackets, 1x central mounting bracket, $L > 1000$ mm

Code No.	Type
823020 2 0500	Aluminium tube, $\text{Ø}30 \times 2$ L=500 mm
823020 2 1000	Aluminium tube, $\text{Ø}30 \times 2$ L=1000 mm
823020 2 2000	Aluminium tube, $\text{Ø}30 \times 2$ L=2000 mm
823020 2	Cut to length aluminium tube $\text{Ø}30 \times 2$, $L_{\text{max}} = 6000$ mm

Length [mm]

Safety switch AZ 15zvr

- For safely switching off circuits
- Suitable for hinged, flap, sliding and lifting doors

Technical data: Self-extinguishing, fibreglass reinforced thermoplastic

Actuator key:

Stainless spring steel

Degree of protection:

IP67 to IEC 529/EN 60529/DIN VDE 0470-1

Contact material: Fine silver

Contact type: One-pin, double-breaking, positively driven NC to VDE 001

Pivot radius: R_{\min} 450 mm

Rated isolation voltage:

VI 500 V approx. 25-60 Hz.

Constant current: 10 A

Rated operating current I_u AC 11h
4 A (230V), 2.5 A (380 V),
1A (500 W)

Short circuit resistance:

10 A (slow) 16 A (fast).

Contact gap 2 x 3 mm.

Positive opening travel/force:

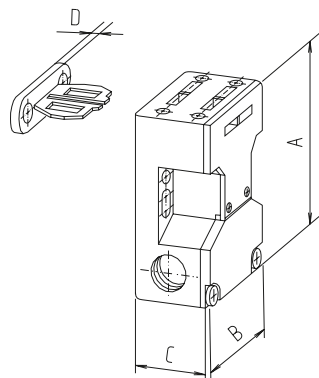
8 mm / approx. 30 N

Mech. lifetime:

10×10^6 switching cycles

Operating temperature:

-30 to +80°C.



Code No.	Type	A	B	C	D
4010610	AZ 15 zvr for sliding door / lifting door	72	52	30	5
4010613	AZ 15 zvr for sliding door	72	52	30	5
4010614	AZ 15 zvr for flap door	72	52	30	5
4015610	Fixing set for sliding door, hinged door	Fig. 1, 2, 3		40 slot geometry	
4015602	Fixing set for lifting door	Fig. 4			

[mm]

Further fixing sets available on request

Fixing set for sliding and hinged door. Vibration finished aluminium.

See fig. 1-3 on the next page.

Fixing set for lifting door

See fig. 4 on the next page.

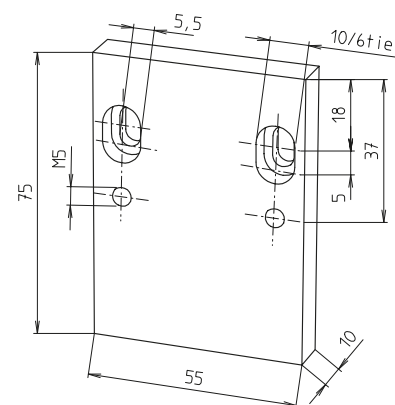
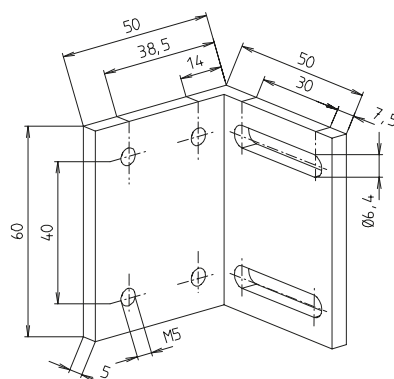
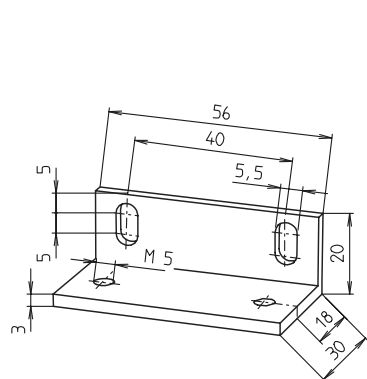


Fig. 1: Hinged door
Fixing AZ 15 zvr to the top strut
(40-40)

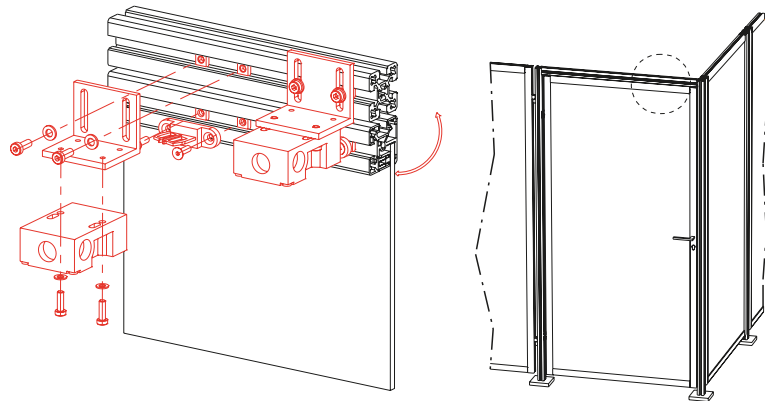


Fig. 2: Hinged door
Fixing AZ 15 zvr to the side strut
(40-50)

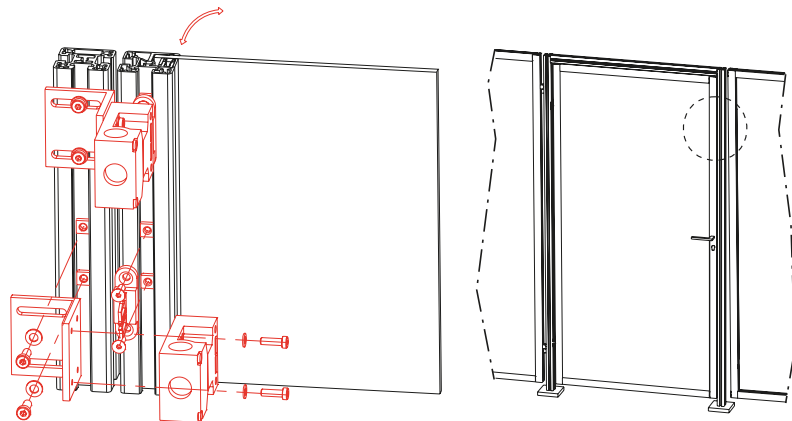


Fig. 3: Sliding door
Fixing AZ 15 zvr to the side strut
(50-40)

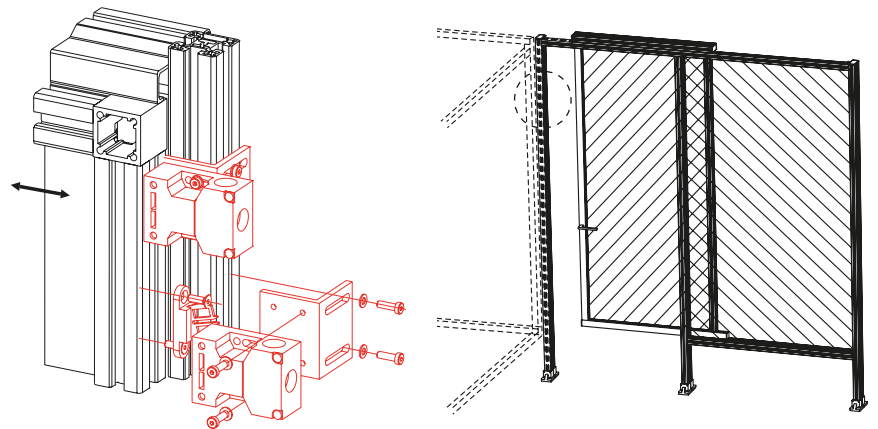
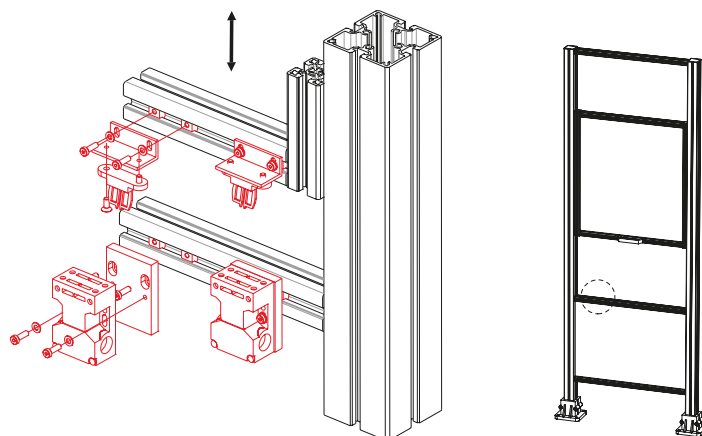


Fig. 4: Lifting door
Fixing AZ 15 zvr to the cross strut
(40-40)



Safety switch AZM 161

- For safely switching off circuits. Suitable for hinged, sliding and lifting doors.

Technical data:

Self-extinguishing fibreglass-reinforced thermoplastic.

Degree of protection: IP67 to IEC 529/EN 60529/DIN VDE 0470-1

Contact type: One-pin, double-breaking, positively driven NC to VDE 001, additional contacts for signal purposes

Pivot radius: R_{\min} 900 mm

Constant current: 10 A Rated operating current Iu AC 11h 2 A (230 V)

Short circuit resistance: 6 A (slow) as positively driven NC position switch

Contact type: One-pin, double-breaking, positively driven NC to VDE 001, additional contacts for signal purposes

Pivot radius: R_{\min} 900 mm

Constant current: 10 A Rated operating current Iu AC 11h 2 A (230 V)

Short circuit resistance: 6 A (slow) as positively driven NC position switch

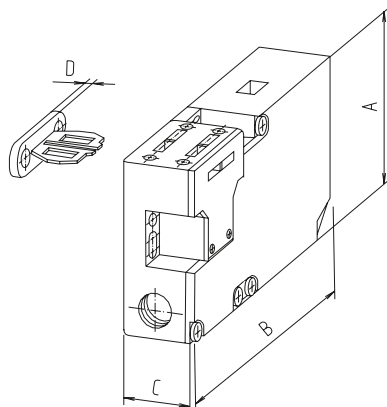
Positive opening travel/force: 8.8 mm / 10 N

Locking force F_{\max} : 2000 N

Mech. lifetime:

>10x10⁶ switching cycles

Operating temperature: -25 to +60°C.



Code No.	Type	A	B	C	D
4010615	Switch AZM 161, for sliding door/lifting door/hinged door	90	130	30	5
Available on request*	Fixing set	40 slot geometry			

*Fixing sets available on request depending on the application

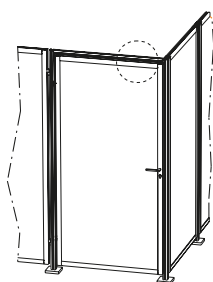
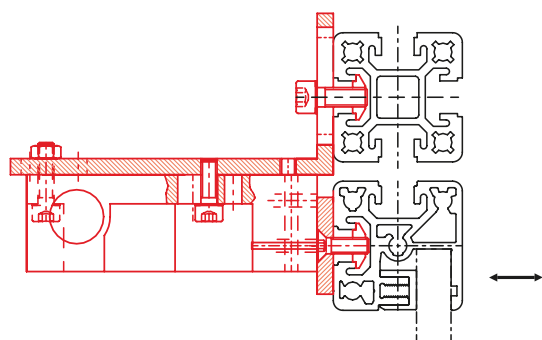


Fig. 1: Hinged door
Fixing AZM 161 to the top strut (40-40)

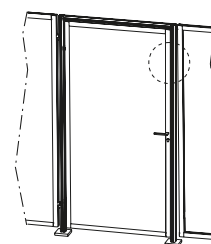
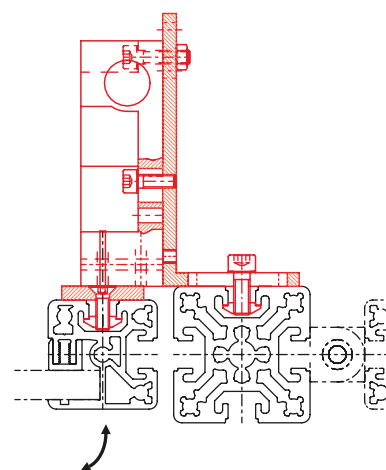
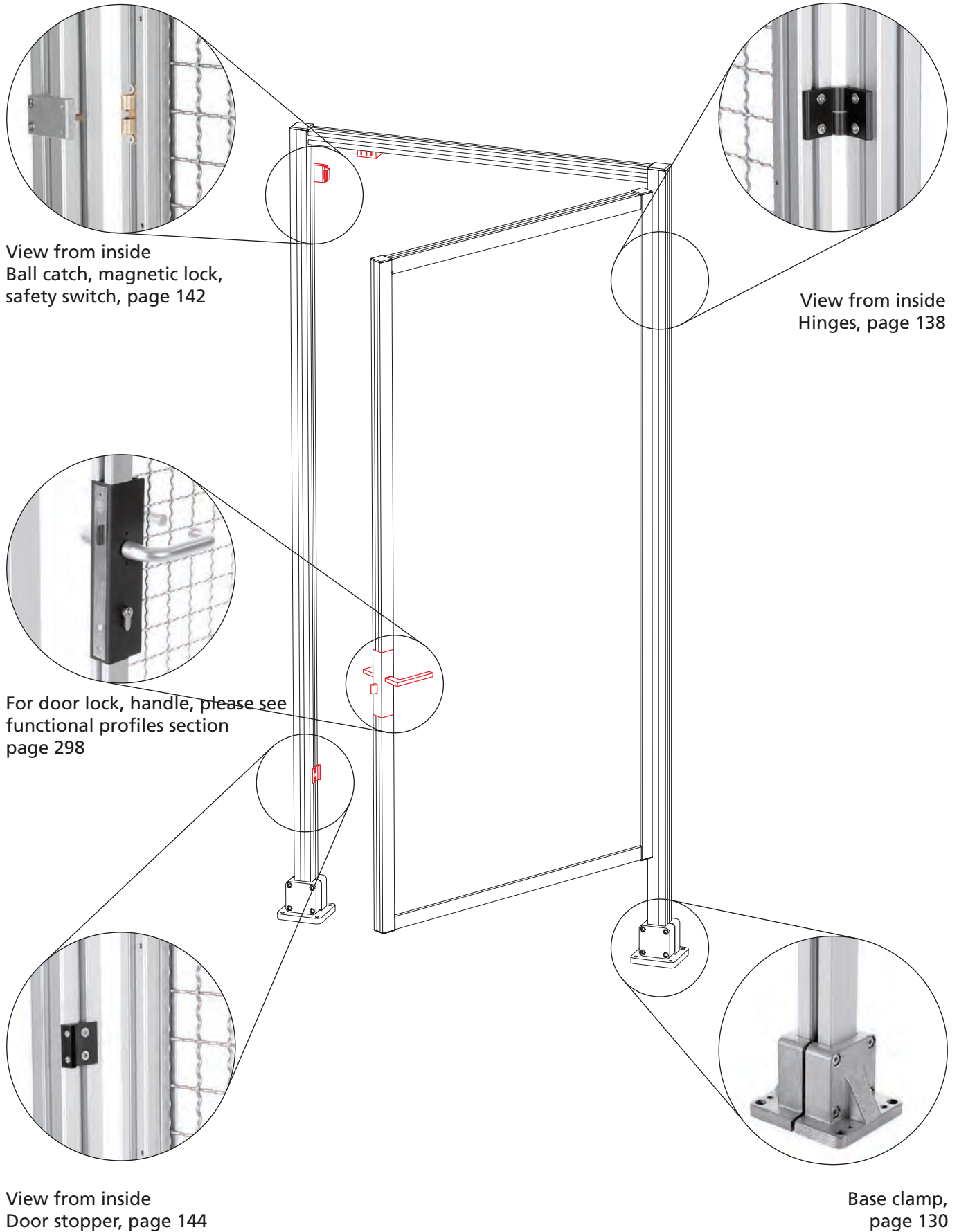


Fig. 2: Hinged door
Fixing AZM 161 to the side strut (40-50)

Fittings



Conveying elements and pneumatics

Versions

Conveying elements



Conveyor rollers



Conveyor drums



Sliding piece

Pneumatics



Pneumatic connection



Pneumatic connecting plate

Table of contents

Conveying elements	<ul style="list-style-type: none"> ■ Conveyor rollers p. 152 ■ Conveyor drums p. 152 ■ Sliding piece p. 153
Pneumatics	<ul style="list-style-type: none"> ■ Pneumatic connection p. 154 ■ Pneumatic connecting plate..... p. 155

Conveying elements

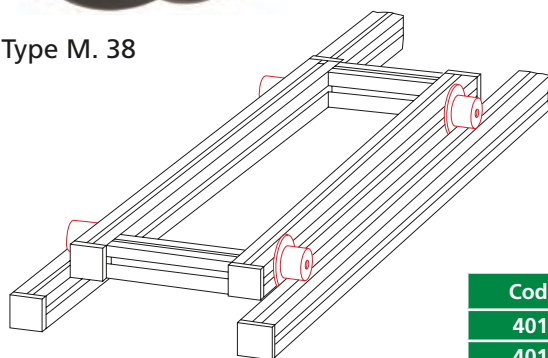
Conveyor rollers



Type O. 38



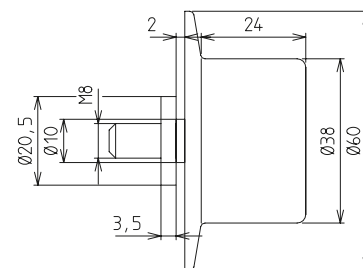
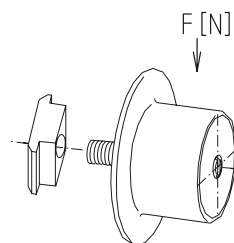
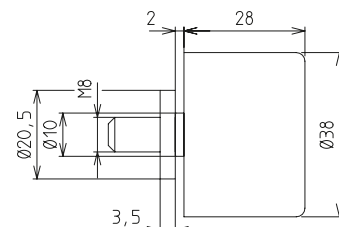
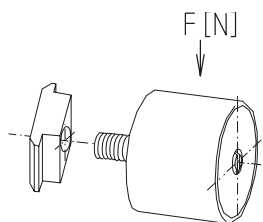
Type M. 38



- Version with or without flange. The rollers can be fixed to the longitudinal profile slots without any difficulty. For assembling carriages or conveyor belts.

Material: Plastic with ball bearing.

Includes: Complete with fixing set.



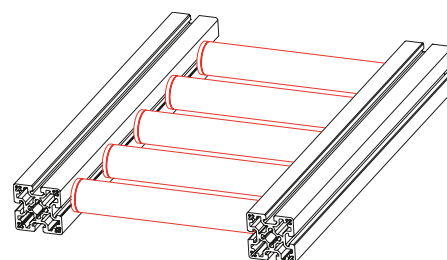
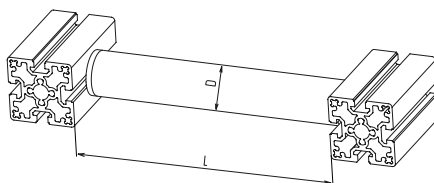
Code No.	Type	Slot geometry	F [N]
4010640	O. 38	40	100
4010641	M. 38	40	100

Conveyor drums

- Standard length 500 mm. Other lengths available on request.

Material: Plastic with plastic ball bearings.

Includes: Complete with fixing set.



Code No.	Type	D	L	Slot geometry	F [N] in relation to 500 mm
4018641	40	40	500	40	100
4018640	50	50	500	40	150

[mm]

Sliding piece

- For easy, low-wear moving of parts in a profile frame (sliding doors, lifting doors).
- A "centred" and an "off-centred" version are available. The sliding piece is available ready to install including set screws and as bars.

Material: Black plastic

Includes:
See table/version



Fig. 1

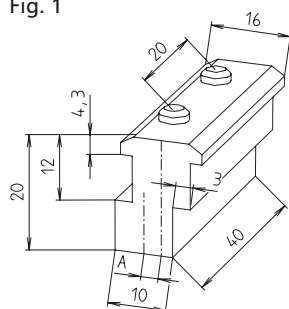
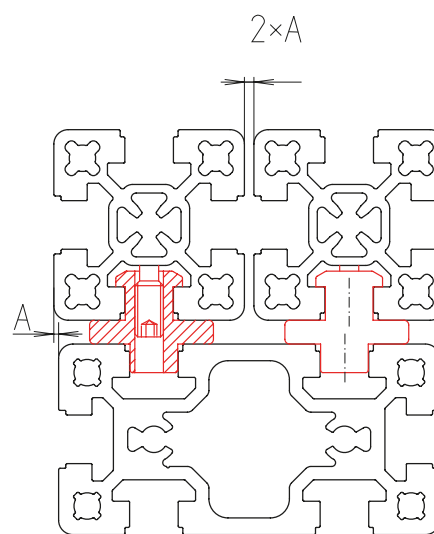
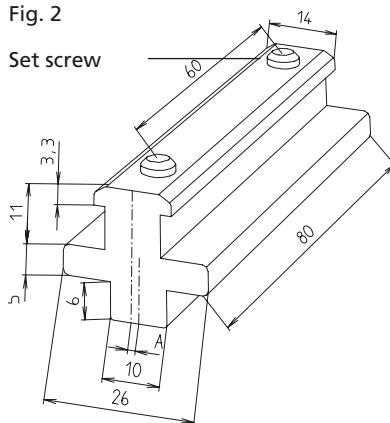


Fig. 2

Set screw



Code No.	Type	Version	Fig.	A
4018644	Centred sliding piece	Complete, 40 slot geometry	2	0
4018645	Centred sliding piece	2000 mm bar	2	0
4018646	Off-centred 1 mm sliding piece	Complete, 40 slot geometry	1	1
4018647	Off-centred 1 mm sliding piece profile	2000 mm bar	1	1
4018648	Off-centred 3 mm sliding piece	Complete, 40 slot geometry	1	3
4019236	Set screw M6x18 DIN 913	Corrosion-resistant		

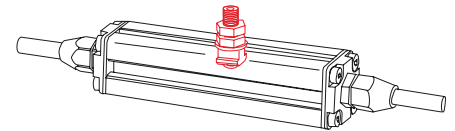
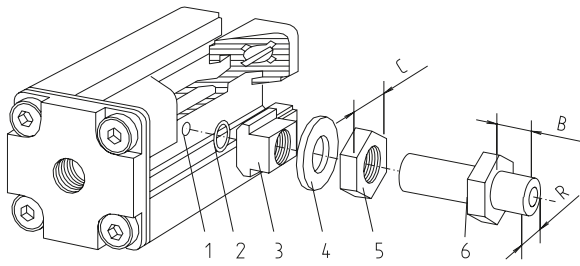
[mm]

Pneumatic connection



Assembly: Mark the desired position with the aid of the template (see page 456) and drill a hole with a 4 mm drill (1). Place the O ring (2) on the bore hole (6) and then push the slot stone (3) in the slot from the side, directly onto the bore hole. Then hand-tighten the screw in the slot stone (3) and lock it with the nut (5) and washer (4).

Material: Galvanised steel slot stone, brass screw connection. Connecting option in the slot of coupling sockets, plugs or screw connections.



					[mm]
Code No.	Connection	R	B	C	
4010415	R1/8"	R1/8"	12	17	
4010416	With hose coupling - automatic stop				



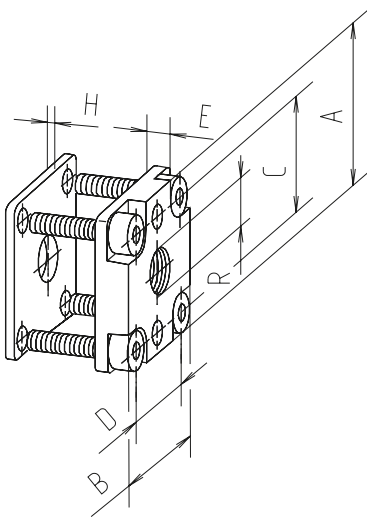
Pneumatic connecting plate

- Connection to the front profile surfaces, for compressed air supply or consumer systems.

Material: Die-cast aluminium

Includes: Complete with seal and screws.

Fixing: Galvanised steel



[mm]

Code No.	Type	Connection	A	B	C	D	E	R	H
4044411	80x80, F-80x80-L	R1/4"	80	80	68	68	8	R1/4"	2
4044412	80x80, F-80x80-L	R1/2"	80	80	68	68	8	R1/2"	2

Cable channel system

Versions

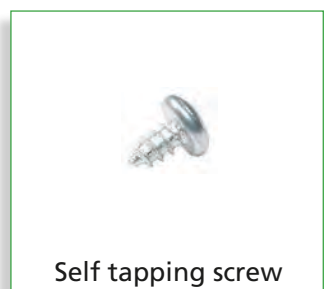


Table of contents

Cable channel system

- Funktionalität/Assembly/Routering p. 158
- Profiles p. 159
- Spring strips p. 160
- Channel assembly clip p. 160
- Cover plate p. 160
- End cover for cable outlet p. 160
- Grommet for cable outlet p. 160
- Membrane grommet for cable outlet p. 160
- Separating strip p. 161
- Assembly strip p. 161
- Edge protection p. 161
- Equipotential bonding p. 161
- Self tapping screws p. 161

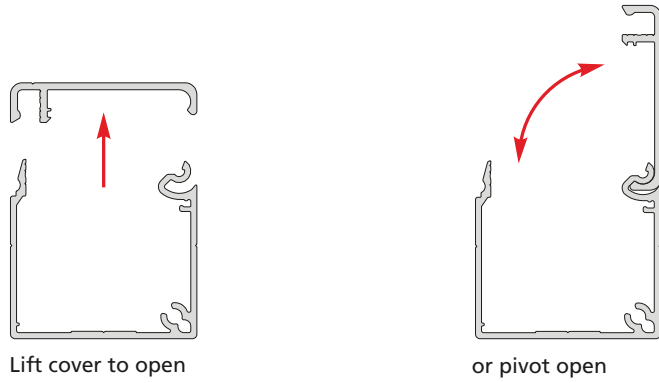
Cable channel system

Channel functionality

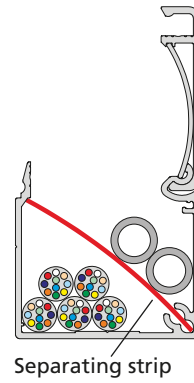
■ Aluminium cable channel in sizes 40x40, 40x80 and 80x40

■ Smooth and scratch-resistant easy to clean anodised surface

Easy to open / excellent accessibility

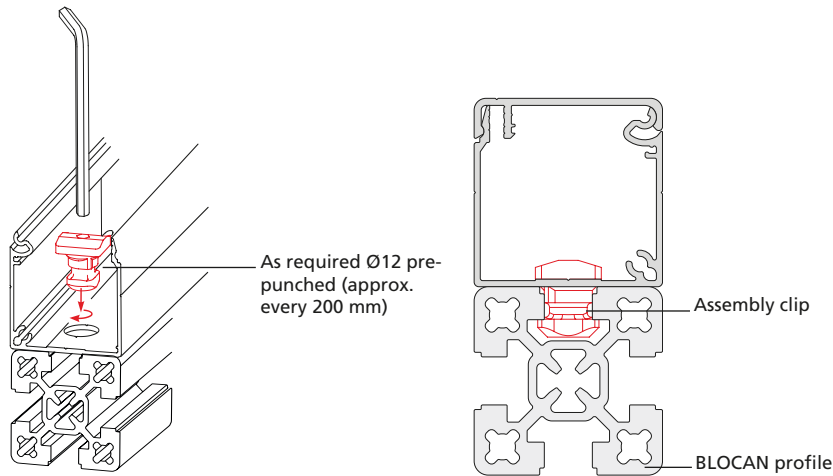


Arrangement in channel with optional separating strips

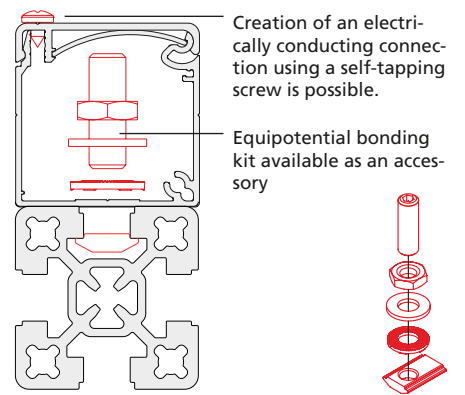


Assembling the channel

Easy assembly (without machining) with BLOCAN profiles

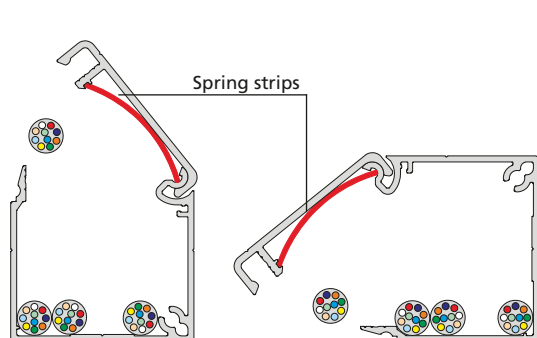


Equipotential bonding

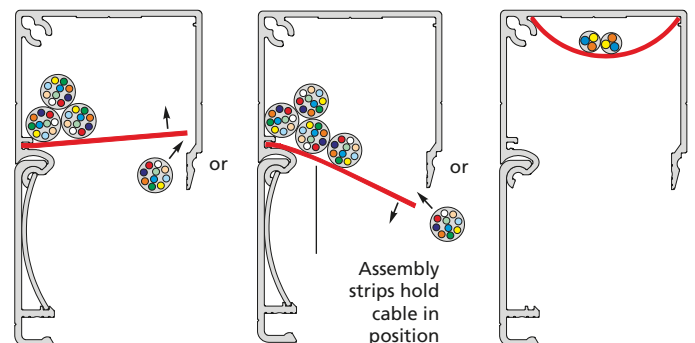


Cable arrangement

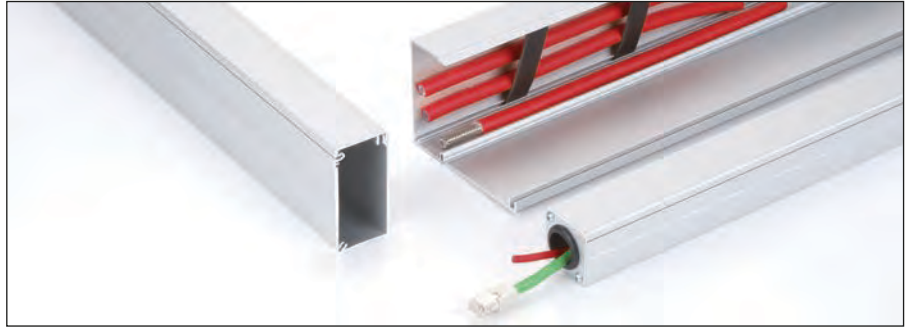
Insertable spring strips hold the cover in position



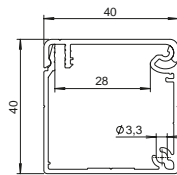
Assembly strips facilitate overhead assembly



Cable channel profiles

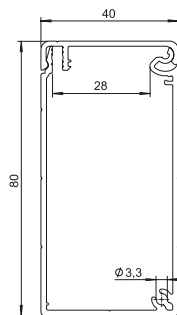


Profile KK-40x40



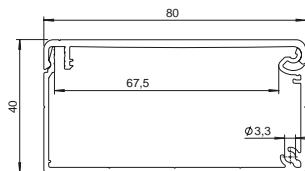
Code No.	Profile	Type	Weight
4E15A01	KK-40x40, 6 m bar	With fixing holes	0.745 kg/m
4E15A00	KK-40x40, cut to size		
4E15001	KK-40x40, 6 m bar	Without fixing holes	0.747 kg/m
4E15000	KK-40x40 cut to size		

Profile KK-40x80



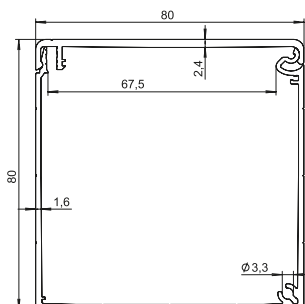
Code No.	Profile	Type	Weight
4E35A01	KK-40x80, 6 m bar	With fixing holes	1.152 kg/m
4E35A00	KK-40x80, cut to size		
4E35001	KK-40x80, 6 m bar	Without fixing holes	1.155 kg/m
4E35000	KK-40x80 cut to size		

Profile KK-80x40



Code No.	Profile	Type	Weight
4E25A01	KK-80x40, 6 m bar	With fixing holes	1.290 kg/m
4E25A00	KK-80x40, cut to size		
4E25001	KK-80x40, 6 m bar	Without fixing holes	1.292 kg/m
4E25000	KK-80x40 cut to size		

Profile KK-80x80



Code No.	Profile	Type	Weight
4F15A01	KK-80x80, 6 m bar	With fixing holes	1.690 kg/m
4F15A00	KK-80x80, cut to size		
4F15001	KK-80x80, 6 m bar	Without fixing holes	1.693 kg/m
4F15000	KK-80x80 cut to size		

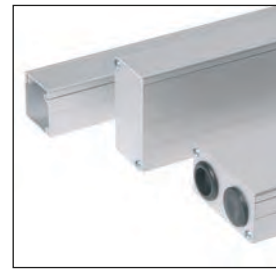
Cable channel system



Spring strips hold the cover open in any position



Quick and easy assembly with a fixing clip



Cover plates and outlets as required

Spring strips for cover



Code No.	Type	VPE	Rec. quantity	Material
4E18504	KK 40x40 KK 40x80	10	5 / m	Plastic
4E28501	KK 80x40 KK 80x80	10	5 / m	Plastic

Cable assembly clip



Code No.	VPE	Material
4E18503	10	Plastic

Cover plate



Code No.	Type	VPE	Material
4E15501	KK 40x40	6	Aluminium
4E25501	KK 40x80, KK 80x40	6	
4F15501	KK 80x80	6	

End cover for cable outlet



Code No.	Type	VPE	Material
4E15502	KK 40x40	6	Aluminium
4E25502	KK 40x80, KK 80x40	6	
4F15502	KK 80x80	6	

Grommet for cable outlet



Code No.	Type	Material
4E18505	Outlet Ø 22 mm	Plastic

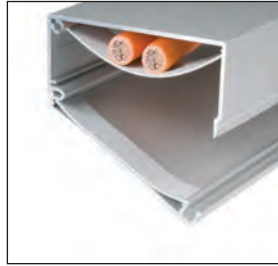
Membrane grommet for cable outlet



Code No.	VPE	Material
4E18502	6	Plastic



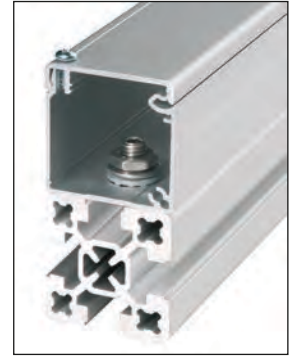
Leads can be separated with press-fit separating strips...



...or make overhead work easier.



Edge protection for inlets or outlets



Standard components make equipotential bonding easy

Separating strip



Code No.	Type	VPE	Material
4E18506	KK 40x40	10	Plastic
4E28502	KK 40x80, KK 80x40	10	
4F18501	KK 80x80	10	

Assembly strip



Code No.	Type	VPE	Material
4E18507	KK 40x40, KK 40x80	10 pcs	Plastic
4E28503	KK 80x40	10 pcs	

Edge protection



Code No.	Type	Material
4E18501	1 unit per 1 m	Plastic

Equipotential bonding



Code No.	VPE
4E16502	1 complete set (screw, slot stone, washers) aluminium
4E16503	12 (contact washer for cover plates) aluminium

Self tapping screw

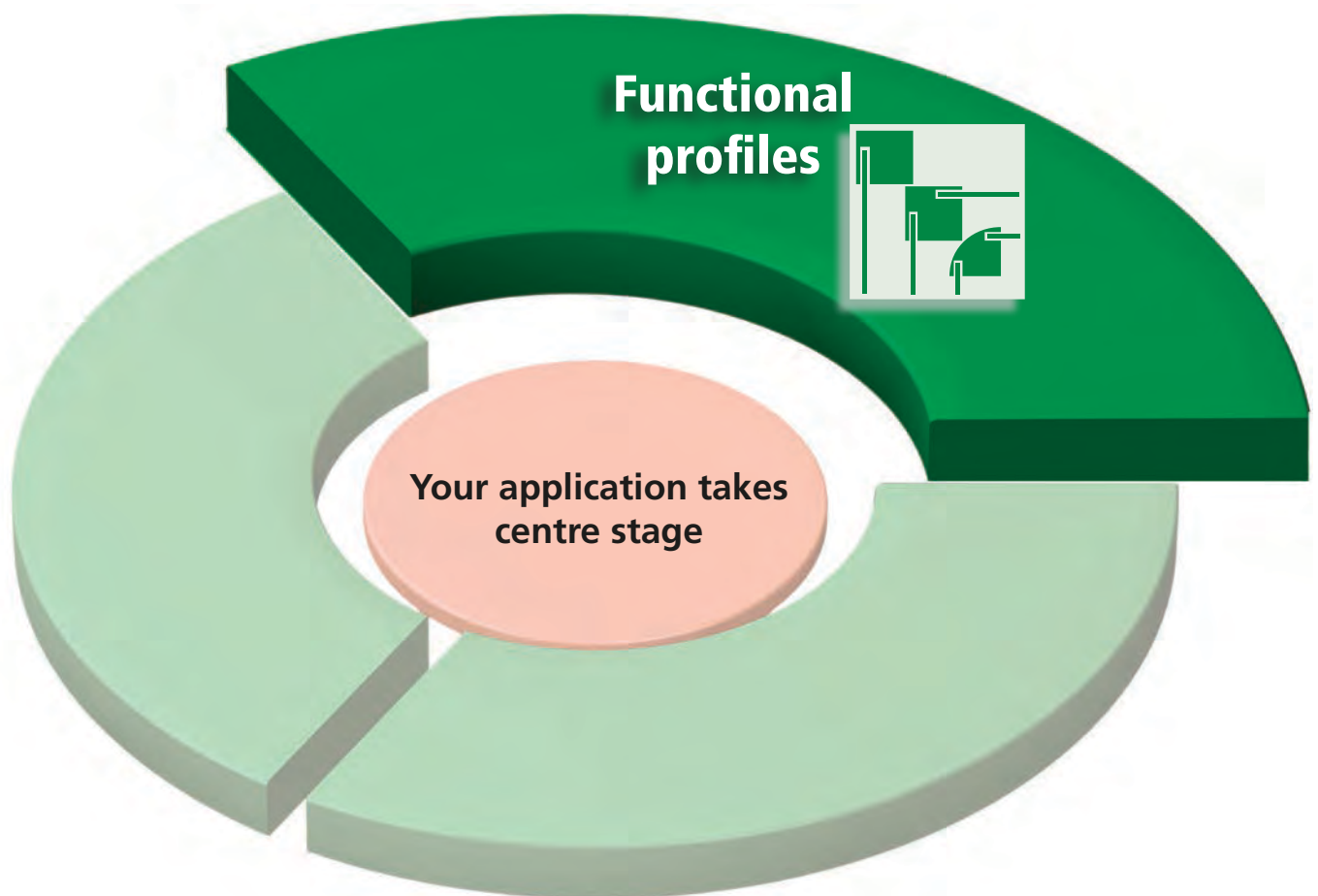


Code No.	Type	VPE
4E16501	ISO 7049 St. 3.5 x 9.5, Form f, aluminium	12

Application examples







Features:

- ✓ Attractive design
- ✓ Many functions
- ✓ Flexible



Added visual and functional value

Profile general overview p. 166

Technical data p. 168

Visible profiles p. 172

Frame profiles p. 190

Special profiles p. 202

Connection techniques p. 209

Slot stones / screws and
accessories p. 243

Profile covers p. 255

Panels/Accessories p. 263

Feet/Castors/Accessories p. 281

Fittings p. 297

Conveying elements/
Pneumatics p. 313

Cable channel system p. 319
















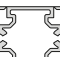


















M-BLOCAN[®] accessories p. 324

Visible profile accessories p. 344



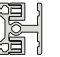




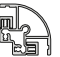




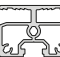











Functional profiles

Functional profile overview






Visible profiles Sizes

30	 F-G 30x30 p. 172	 F-GG 30x30 p. 172	 F-2G 30x30 p. 173	 F-3G 30x30 p. 173	 W 30-30 p. 174	 W 30-45 p. 174	 W 30-60 p. 174	 W 30-90 p. 175	 F-R 30 p. 175			
40	 F-G 40x40 p. 176	 F-GG 40x40 p. 176	 F-2G 40x40 p. 177	 F-3G 40x40 p. 177	 F-G 40x80 p. 178	 F-GG 40x80 p. 178	 G-40x40 p. 179	 G-40x80 p. 179	 W 40-30 p. 180	 W 40-45 p. 180	 W 40-60 p. 181	 W 40-90 p. 181
50	 F-G 50x50 p. 182	 F-GG 50x50 p. 182	 F-2G 50x50 p. 183	 F-3G 50x50 p. 183	 SP-50x50 p. 184							
60	 F-G 60x60 p. 186	 F-GG 60x60 p. 186	 F-2G 60x60 p. 187	 F-3G 60x60 p. 187								
80	 F-G 80x80 p. 188	 F-GG 80x80 p. 188	 F-2G 80x80 p. 189	 F-3G 80x120A p. 189								

Frame profiles Sizes



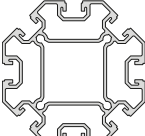
									 STP 30 p. 196			
30	 KL 30x30-2 p. 190	 KLD 30x30 p. 190	 KLE-30x30 p. 191	 KLW 30x15 p. 191	 KLW 30x30 p. 192	 KLW 30x45 p. 192	 KLW 30x60 p. 193	 KLW 30x90 p. 193	 ESP 30 p. 194	 ESP 30/2 p. 194	 ESP 30/2 (40) p. 195	 ESP2 30x40 (40) p. 195
40	 KL 40x40-2 p. 196	 KLD 40x40 p. 197	 KLE 40x40 p. 197	 KLW 40x15 p. 198	 KLW 40x30 p. 198	 KLW 40x45 p. 199	 KLW 40x60 p. 199	 KLW 40x90 p. 200	 ESP 40 p. 200	 ESP 40/2 p. 201	 STP 40 p. 207	

Special profiles Sizes

15	 15x40 p. 202	 15x60 p. 202	 15x80 p. 202	 15x120 p. 203	 15x160 p. 203
----	--	--	--	---	--

20 M-BLOCAN®

	 F-20x20 p. 204	 F-20x40 p. 204	 F-R 20 p. 204	 F-G 20x20 p. 205	 F-GG 20x20 p. 205	 KL 20x20 p. 206	 KLD 20x40 p. 206	 KLE 20x20 p. 206
--	--	--	---	--	---	---	--	--

40	 2x40 p. 207	 3x40 p. 207	 8x40 p. 207
----	---	---	---

Profiles

- Overview p. 166
- Slot geometry p. 168
- Load data p. 169
- Visible profiles from p. 174
- Frame profiles from p. 190
- Special profiles from p. 202

Connection techniques

- Right-angle connections p. 209 - 228
- Cross connections p. 230 - 233
- Angle connections p. 234 - 240

Accessories

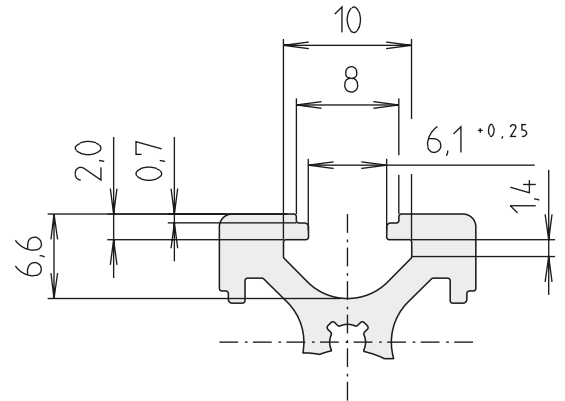
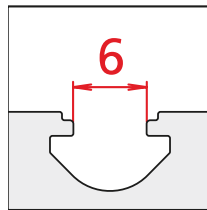
- Slot stones, screws p. 243 - 253
- Profile covers p. 255 - 260
- Panels p. 263
- Feet, castors p. 281 - 294
- Fittings p. 297 - 311
- Conveying elements p. 313 - 316
- Pneumatics p. 317
- Cabel channel system p. 318 - 323

**M-BLOCAN®
(size 20 profiles)**

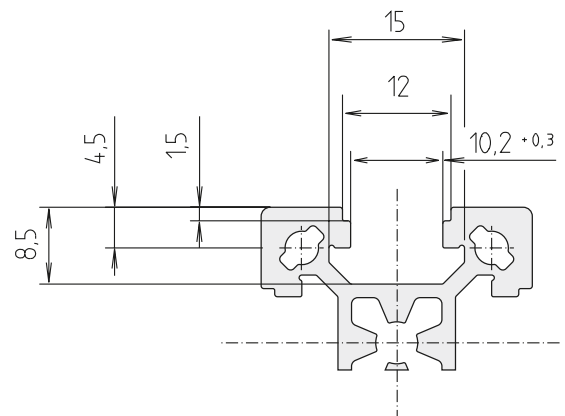
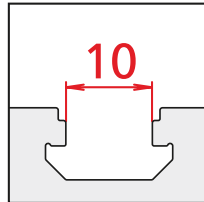
- Flange bracket connection p. 326
- Flange bracket adapter p. 327
- Corner joint R/GG p. 328
- Profile angle bracket p. 332
- Angle brackets p. 333
- Mitre joint -transversal- p. 334
- Slot stone -B-/PLM p. 335
- Screws p. 335
- Profile hinge p. 336
- Handle p. 336

Slot geometry

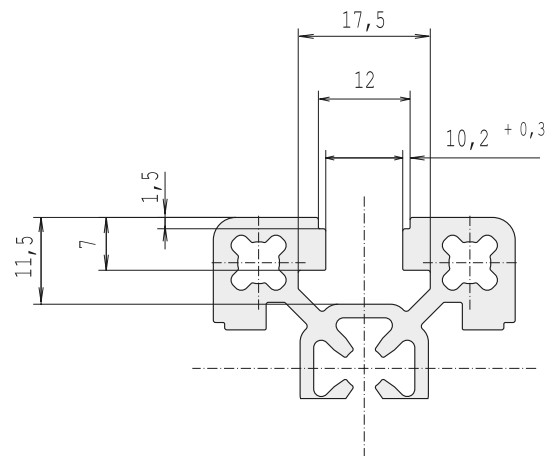
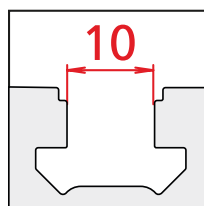
- 20 slot geometry
- For use with all size 20 profiles



- 30 slot geometry
- For all profiles up to size 30



- 40 slot geometry
- This geometry is found with all profiles as of size 40



Load data

Moment of inertia: I [cm⁴]

Moment of resistance: w [cm³]

Profile	Area	I _x [cm ⁴]	I _y [cm ⁴]	W _x [cm ³]	W _y [cm ³]	Weight	Page
Visible profiles							
F-G 30x30	318	3.2	3.2	2.1	2.1	858	172
F-GG 30x30	317	3.2	3.2	2.1	2.1	858	172
F-2G 30x30	335	3.2	3.6	2.2	2.4	905	173
F-3G 30x30	335	3.5	3.6	2.2	2.4	932	173
F-R 30	271	2.1	2.1	1.2	1.2	730	175
F-G 40x40	636	9.7	9.8	4.8	4.9	1718	176
F-GG 40x40	611	10.1	10.1	4.8	4.8	1651	176
F-2G 40x40	543	9.3	9.4	4.6	4.7	1466	177
F-3G 40x40	539	9.7	9.8	4.8	4.9	1455	177
F-G 40x80	1220	20.9	82.3	10.4	20.6	3295	178
F-GG 40x80	1323	22.0	87.9	10.7	22.0	3565	178
G-40x40	696	10.5	10.5	5.2	5.2	1877	179
G-40x80	1145	18.7	78.5	9.3	19.6	3106	179
W 40-30	619	10.0	10.0	3.7	4.2	1674	180
W 40-45	620	9.7	9.8	3.4	4.2	1675	180
W 40-60	671	11.2	12.8	4.2	4.6	1812	181
W 40-90	797	22.0	22.0	7.4	7.4	2153	181
F-G 50x50	832	21.6	22.2	8.6	8.9	2247	182
F-GG 50x50	815	21.5	22.1	8.4	8.7	2200	182
F-2G 50x50	779	20.6	21.8	8.3	8.7	2103	183
F-3G 50x50	791	20.7	22.6	9.0	9.1	2137	183
SP-50x50	753	20.8	20.7	8.2	8.3	2033	184
F-G 60x60	1020	37.9	39.5	12.6	12.7	2757	186
F-GG 60x60	1001	38.1	39.0	12.5	12.8	2701	186
F-2G 60x60	956	36.2	39.1	12.1	13.0	2585	187
F-3G 60x60	981	36.5	41.2	11.9	13.7	2649	187
F-G 80x80	1710	135.5	139.3	34.8	33.0	4557	188
F-GG 80x80	1686			34.1	34.1	4497	188
F-2G 80x80	1656	133.4	140.1	33.3	35.0	4471	189
F-3G 80x120A	2896	213.3	467.8	52.8	77.9	7818	189

Technical data functional profiles

Load data

Moment of inertia: I [cm⁴]

Moment of resistance: w [cm³]

Profile	Area	Ix [cm ⁴]	Iy [cm ⁴]	Wx [cm ³]	Wy [cm ³]	Weight	Page
Frame profiles							
KL 30x30-2	293	2.3	2.7	1.5	1.8	917	190
KLD 30x30	348	3.1	2.7	1.8	2.2	1188	190
KLE 30x30	348	3.0	3.0	2.0	2.0	1179	191
KLW 30-15	405	3.3	2.5	1.4	1.9	853	191
KLW 30-30	641	9.7	7.4	3.1	4.4	852	192
KLW 30-45	405	3.3	2.4	1.2	1.8	845	192
KLW 30-60	357	3.3	3.5	1.7	1.5	966	193
KLW 30-90	640	9.7	7.2	2.7	4.1	1051	193
ESP 30x30	275	2.3	2.8	1.4	1.8	742	194
ESP 40x40/2	457	6.3	7.7	3.0	3.6	1234	201
ESP 30x30/2 (40)	295	2.3	2.9	1.5	1.9	798	195
ESPD 30x40 (40)	370	3.8	5.2	1.9	3.5	1000	195
STP 30	536	5.2	22.8	6.1	3.7	1448	196
KL 40x40-2	508	7.0	8.3	3.5	4.1	1596	196
KLD 40x40	612	10.0	8.3	4.1	5.5	1975	197
KLE 40x40	590	9.3	9.3	4.6	4.6	1914	197
KLW 40-15	402	3.1	2.4	1.1	1.7	1408	198
KLW 40-30	654	9.6	7.3	2.6	3.9	1406	198
KLW 40-45	478	5.3	5.3	2.4	2.4	1764	199
KLW 40-60	572	9.6	10.7	3.8	3.3	1545	199
KLW 40-90	774	17.3	17.3	5.8	5.8	1767	200
ESP 40x40	405	6.1	7.3	2.7	3.5	1095	200
ESP 40x40/2	457	6.3	7.7	3.0	3.6	1234	201
STP 40	815	12.5	46.5	9.7	6.1	2199	201

Load data

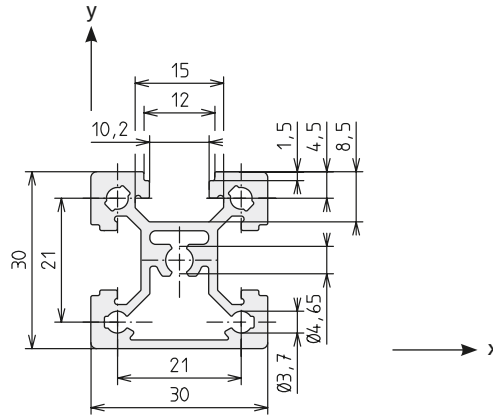
Moment of inertia: I [cm⁴]

Moment of resistance: w [cm³]

Profile	Area	I _x [cm ⁴]	I _y [cm ⁴]	W _x [cm ³]	W _y [cm ³]	Weight	Page
Special profiles							
15x40	421	0.8	6.6	1.3	3.3	1137	202
15x60	619	1.2	21.0	1.9	7.0	1670	202
15x80	823	1.7	47.8	2.5	11.9	2220	202
15x120	1213	2.4	154.9	3.6	25.8	3270	203
15x160	1602	3.1	359.0	4.8	44.9	4320	203
F-20x20	198	0.8	0.8	0.8	0.8	533	204
F-20x40	313	1.3	5.4	1.3	2.7	846	204
F-R 20	155	0.5	0.5	0.6	0.5	416	204
F-G 20	182	0.7	0.8	0.8	0.7	491	205
F-GG 20	167	0.7	0.7	0.7	0.7	450	205
KL-20	183	0.7	0.7	0.8	0.8	493	206
KLD-20	186	0.7	0.7	0.7	0.8	500	206
KLE-20	171	0.7	0.7	0.6	0.7	462	206
2x40	838	32.8	14.2	7.9	11.3	2262	207
3x40	1019	68.2	14.8	8.8	14.1	2751	207
8x40	1700	133.4	133.4	27.6	27.6	4590	207

Visible profiles / size 30

F-G 30x30

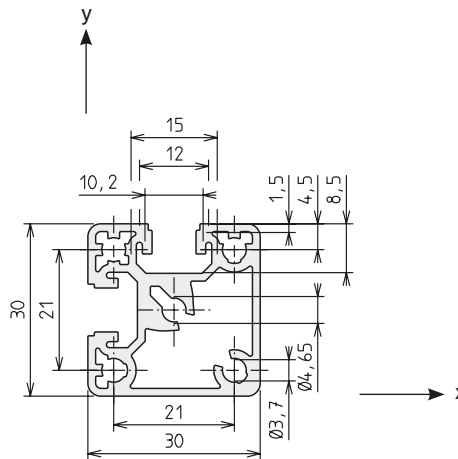


Code No. Profile F-G 30x30			Anodised
4535000	Cut to size	max. 6000 mm	Clear
4535001	Bar	6000 mm	Clear

Area	318	mm ²
I _x	3.2	cm ⁴
I _y	3.2	cm ⁴
W _x	2.1	cm ³
W _y	2.1	cm ³
Weight	858	g/m

Connection	Quantity required per conn.	Slot geometry	Flange bracket	Code No./unit
Long	1	30	30	4306709
	1	40	30	4306710
Short	1	30 (K)	30 (K)	4106702
	1	40	30 (K)	4106703

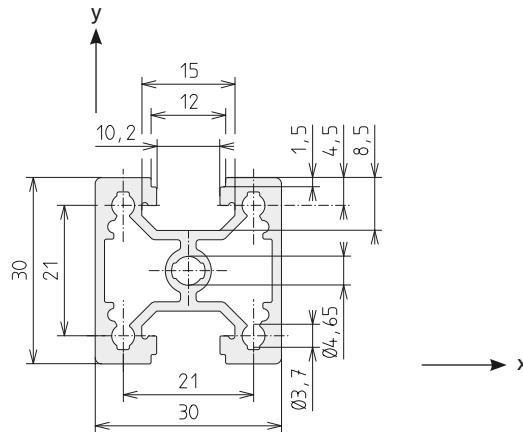
F-GG 30x30



Code No. Profile F-GG 30x30			Anodised
4555000	Cut to size	max. 6000 mm	Clear
4555001	Bar	6000 mm	Clear

Area	317	mm ²
I _x	3.2	cm ⁴
I _y	3.2	cm ⁴
W _x	2.1	cm ³
W _y	2.1	cm ³
Weight	858	g/m

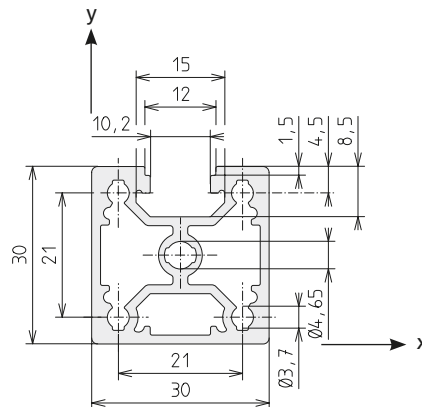
Connection	Quantity required per conn.	Slot geometry	Flange bracket	Code No./unit
Short	1	30	30 (K)	4106702
	1	40	30 (K)	4106703

F-2G 30x30


Code No. Profile F-2G 30x30			Anodised
4B45000	Cut to size	max. 6000 mm	Clear
4B45001	Bar	6000 mm	Clear

Area	335.3	mm ²
I_x	3.2	cm ⁴
I_y	3.6	cm ⁴
W_x	2.2	cm ³
W_y	2.4	cm ³
Weight	905	g/m

Connec-tion	Quantity required per conn.	Slot geometry	Flange bracket	Code No./unit
Long	1	30	30	4306709
	1	40	30	4306710

F-3G 30x30


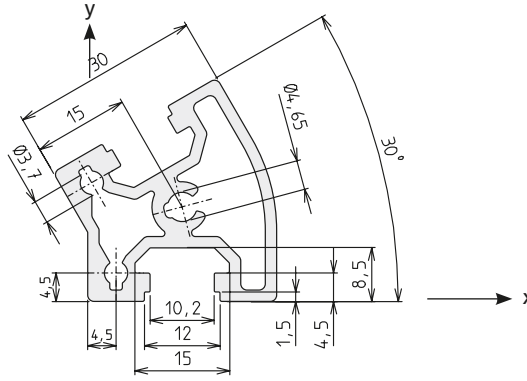
Code No. Profile F-3G 30x30			Anodised
4B55000	Cut to size	max. 6000 mm	Clear
4B55001	Bar	6000 mm	Clear

Area	335	mm ²
I_x	3.5	cm ⁴
I_y	3.6	cm ⁴
W_x	2.2	cm ³
W_y	2.4	cm ³
Weight	932	g/m

Connection	Quantity required per conn.	Slot geometry	Flange bracket	Code No./unit
Short	1	30	30 (K)	4106702
	1	40	30 (K)	4106703

Visible profiles / size 30

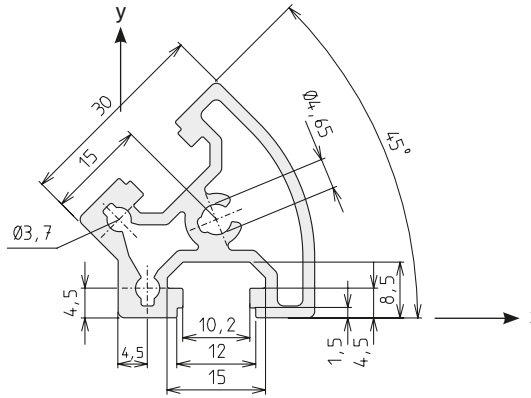
W 30-30



Area	342	mm ²
I _x	3.0	cm ⁴
I _y	3.4	cm ⁴
W _x	1.5	cm ³
W _y	1.8	cm ³
Weight	924	g/m

Code No. Angle profile W 30-30			Anodised
4725000	Cut to size	max. 6000 mm	Clear
4725001	Bar	6000 mm	Clear
Code No. Corner joint		Type	
4412406		KLW 30-30	

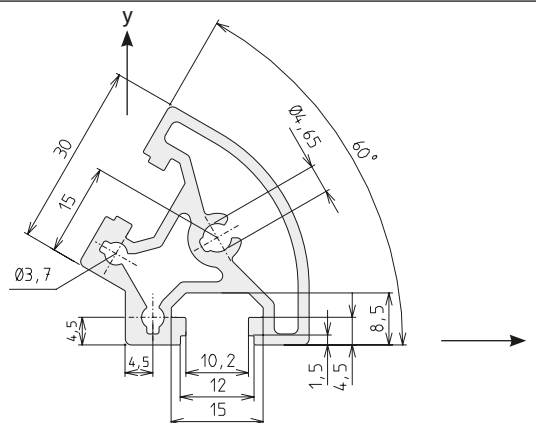
W 30-45



Area	340	mm ²
I _x	3.0	cm ⁴
I _y	3.2	cm ⁴
W _x	1.4	cm ³
W _y	1.7	cm ³
Weight	919	g/m

Code No. Profile W 30-45			Anodised
4735000	Cut to size	max. 6000 mm	Clear
4735001	Bar	6000 mm	Clear
Code No. Corner joint		Type	
4422406		KLW 30-45	

W 30-60

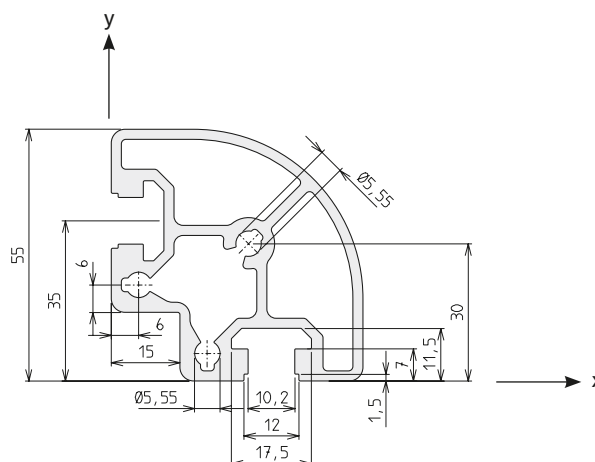
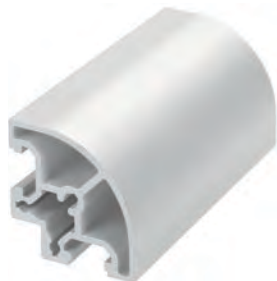


Area	375	mm ²
I _x	3.4	cm ⁴
I _y	4.3	cm ⁴
W _x	1.8	cm ³
W _y	1.9	cm ³
Weight	1014	g/m

Code No. Angle profile W 30-60			Anodised
4745000	Cut to size	max. 6000 mm	Clear
4745001	Bar	6000 mm	Clear
Code No. Corner joint		Type	
4622406		KLW 30-60	



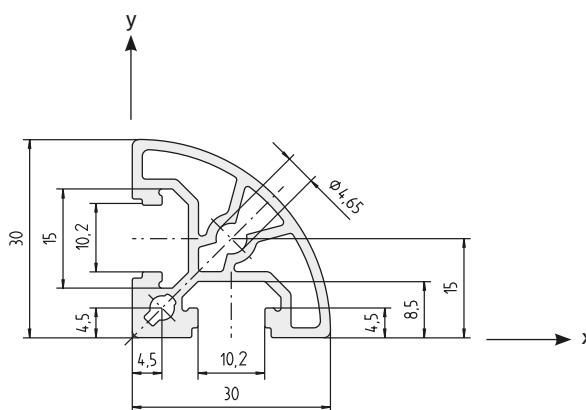
W 30-90



Area	435	mm ²
I _x	6.2	cm ⁴
I _y	6.2	cm ⁴
W _x	2.9	cm ³
W _y	2.9	cm ³
Weight	1173	g/m


Code No. Angle profile W 30-90			Anodised
4755000	Cut to size	max. 6000 mm	Clear
4755001	Bar	6000 mm	Clear
Code No. Corner joint		Type	
4432406		KLW 30-90	

F-R 30



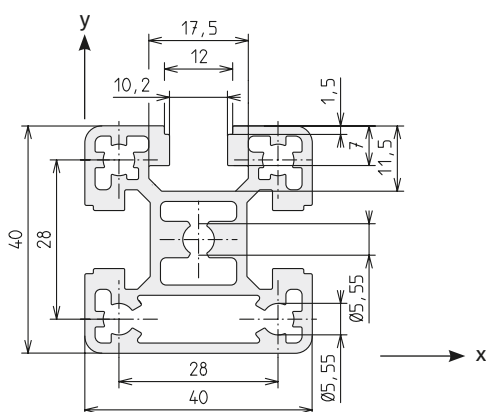
Area	271	mm ²
I _x	2.1	cm ⁴
I _y	2.1	cm ⁴
W _x	1.2	cm ³
W _y	1.2	cm ³
Weight	730	g/m

Code No. Profile F-R 30			Anodised
4105000	Cut to size	max. 6000 mm	Clear
4105001	Bar	6000 mm	Clear

Connection	Quantity required per conn.	Slot geometry	Flange bracket	Code No./ unit
 long. + transverse	1	30	30 (K)	4106702

Visible profiles / size 40

F-G 40x40

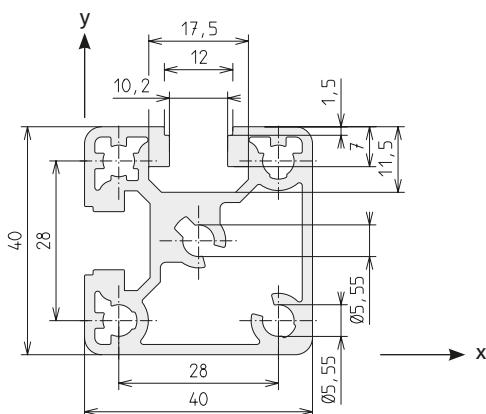


Area	636	mm ²
I _x	9.7	cm ⁴
I _y	9.8	cm ⁴
W _x	4.8	cm ³
W _y	4.9	cm ³
Weight	1718	g/m

Code No. Profile F-G 40x40			Anodised
4545000	Cut to size	max. 6000 mm	Clear
4545001	Bar	6000 mm	Clear

Connection	Quantity required per conn.	Slot geometry	Flange bracket	Code No./ unit
	1	30	40	4816703
		40		4816702
	1	30	40 (K)	4566700
		40		4566701
	1	40	40 (N)	4546700

F-GG 40x40



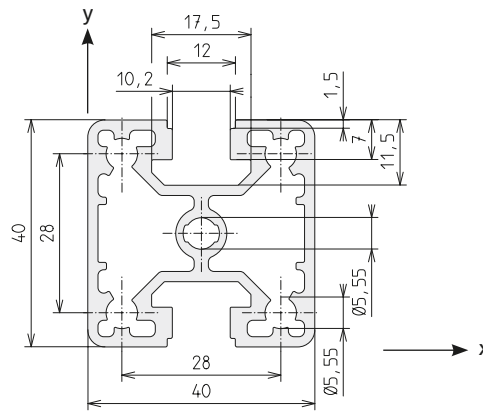
Area	611	mm ²
I _x	10.1	cm ⁴
I _y	10.1	cm ⁴
W _x	4.8	cm ³
W _y	4.8	cm ³
Weight	1651	g/m

Code No. Profile F-GG 40x40			Anodised
4565000	Cut to size	max. 6000 mm	Clear
4565001	Bar	6000 mm	Clear

Connection	Quantity required per conn.	Slot geometry	Flange bracket	Code No./ unit
	1	30	40 (K)	4566700
		40		4566701
	1	40	40 (N)	4546700



F-2G 40x40

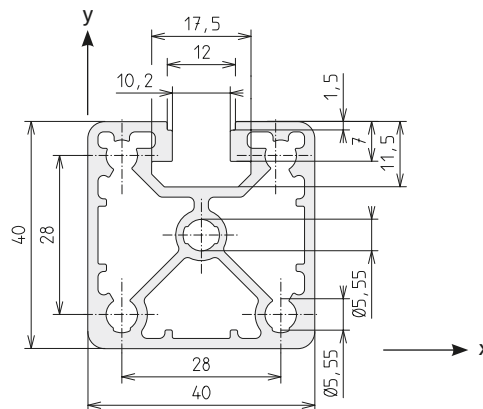


Area	543	mm ²
I _x	9.3	cm ⁴
I _y	9.4	cm ⁴
W _x	4.6	cm ³
W _y	4.7	cm ³
Weight	1466	g/m

Code No. Profile F-2G 40x40			Anodised
4B25000	Cut to size	max. 6000 mm	Clear
4B25001	Bar	6000 mm	Clear

Connection	Quantity required per conn.	Slot geometry	Flange bracket	Code No./unit
Long	1	30	40	4816703
	1	40	40	4816702

F-3G 40x40



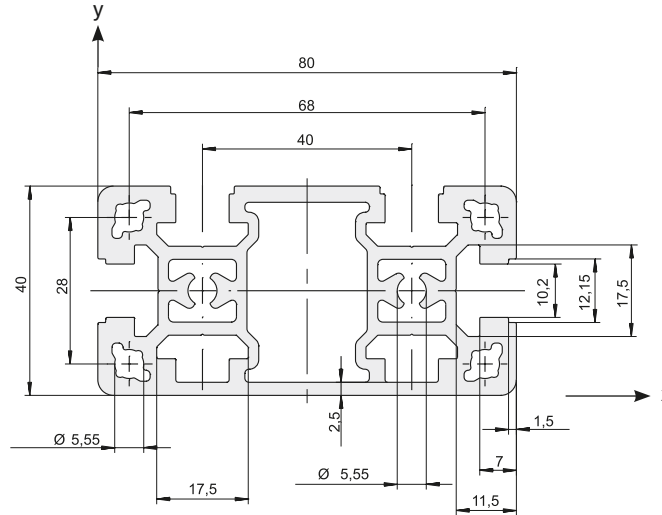
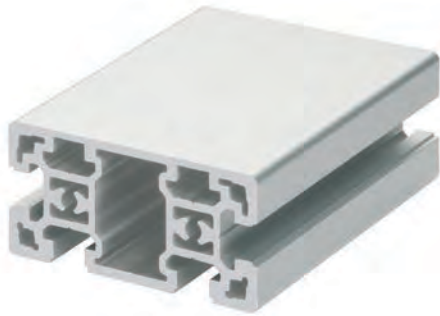
Area	539	mm ²
I _x	9.7	cm ⁴
I _y	9.8	cm ⁴
W _x	4.8	cm ³
W _y	4.9	cm ³
Weight	1455	g/m

Code No. Profile F-3G 40x40			Anodised
4B35000	Cut to size	max. 6000 mm	Clear
4B35001	Bar	6000 mm	Clear

Connection	Quantity required per conn.	Slot geometry	Flange bracket	Code No./unit
Short	1	30	40 (K)	4566700
	1	40	40 (K)	4566701
Flange slot stone -N-	1	40	40 (N)	4546700



Visible profiles / size 40

F-G 40x80

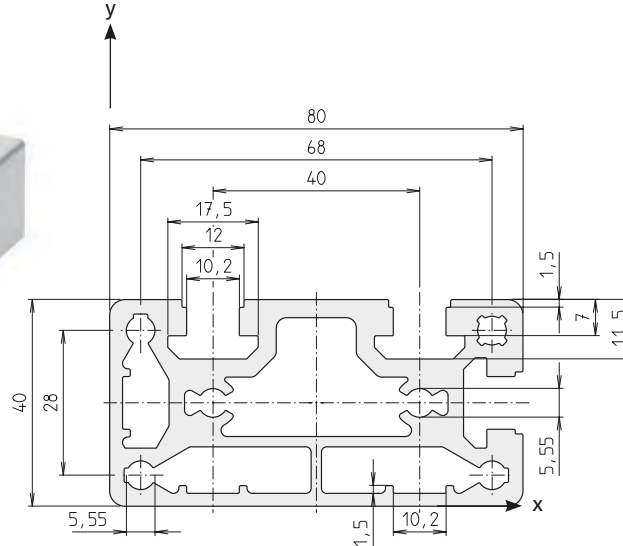


Area	1220	mm ²
I_x	20.9	cm ⁴
I_y	82.3	cm ⁴
W_x	10.4	cm ³
W_y	20.6	cm ³
Weight	3295	g/m

Code No. Profile F-G 40x80			Anodised
4B85000	Cut to size	max. 6000 mm	Clear
4B85001	Bar	6000 mm	Clear




Connection	Quantity required per conn.	Slot geo.	Flange brack.	Code No./ unit
 long.	1	30	80	4316706
	1	40	80	4246702
 Flange slot stone -N-	2	40	40 (N)	4546700

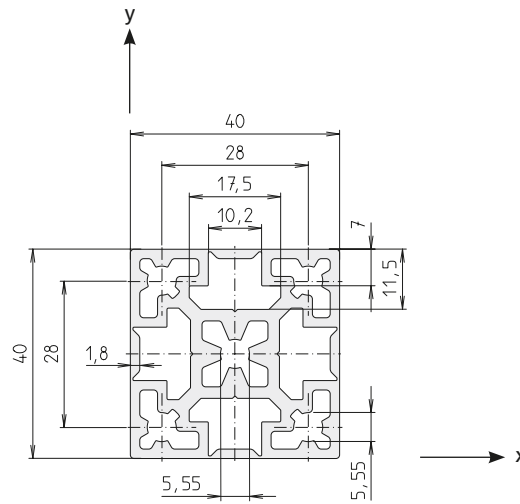
F-GG 40x80



Area	1323	mm ²
I_x	22.0	cm ⁴
I_y	87.9	cm ⁴
W_x	10.7	cm ³
W_y	22.0	cm ³
Weight	3565	g/m

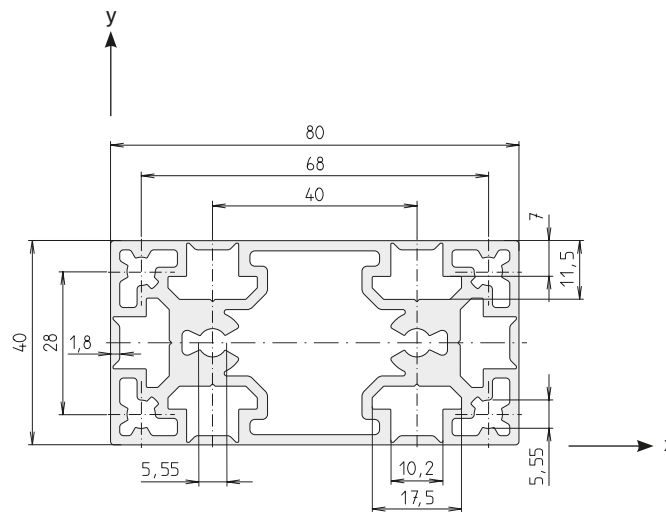
Code No. Profile F-GG 40x80			Anodised
4B15000	Cut to size	max. 6000 mm	Clear
4B15001	Bar	6000 mm	Clear

Connection	Quantity required per conn.	Slot geo.	Flange brack.	Code No./ unit
 Extra long	1	40	80 (EL)	4586702
 Flange slot stone -N-	1	40	80 (N)	4586703
 Flange slot stone -N-	2	40	40 (N)	4546700

4G-40x40


Area	696	mm ²
I_x	10.5	cm ⁴
I_y	10.5	cm ⁴
W_x	5.2	cm ³
W_y	5.2	cm ³
Weight	1877	g/m

Code No. Profile 4G-40x40			Anodised
4B65000	Cut to size	max. 6000 mm	Clear
4B65001	Bar	6000 mm	Clear

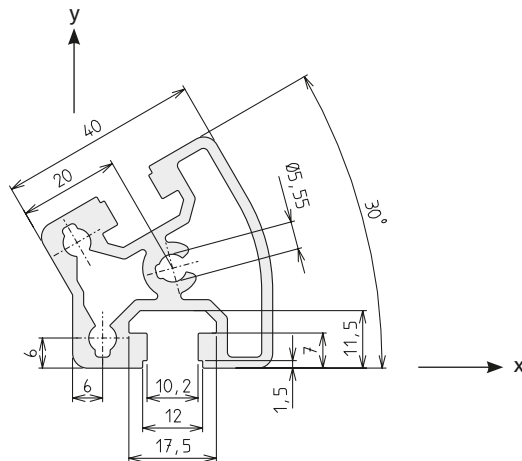
4G-40x80


Area	1145	mm ²
I_x	18.7	cm ⁴
I_y	78.5	cm ⁴
W_x	9.3	cm ³
W_y	19.6	cm ³
Weight	3106	g/m

Code No. Profile 4G-40x80			Anodised
4B75000	Cut to size	max. 6000 mm	Clear
4B75001	Bar	6000 mm	Clear

Visible profiles / size 40

W 40-30

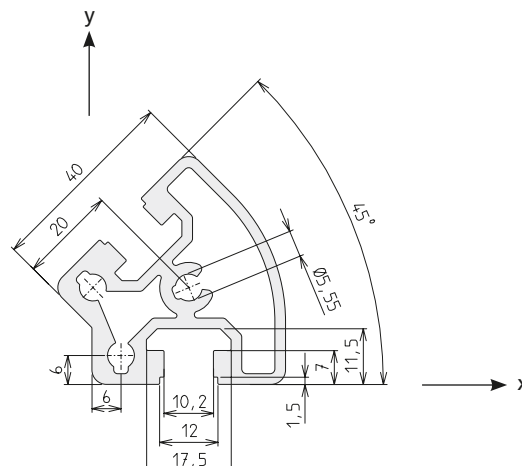


Area	619	mm ²
I_x	10.0	cm ⁴
I_y	10.0	cm ⁴
W_x	3.7	cm ³
W_y	4.2	cm ³
Weight	1674	g/m

Code No. Angle profile W 40-30			Anodised
4765000	Cut to size	max. 6000 mm	Clear
4765001	Bar	6000 mm	Clear

Code No. Corner joint	Type
4462406	KLW 40-30

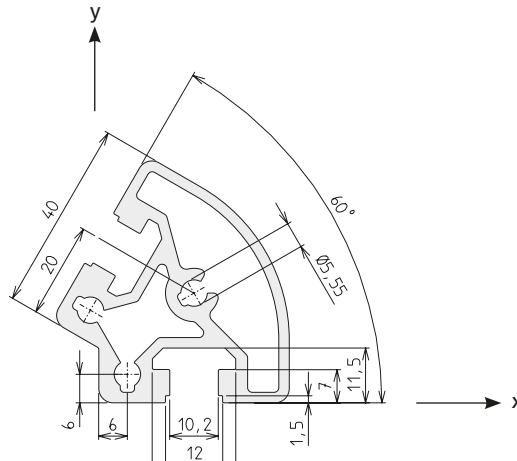
W 40-45



Area	620	mm ²
I_x	9.7	cm ⁴
I_y	9.8	cm ⁴
W_x	3.4	cm ³
W_y	4.2	cm ³
Weight	1675	g/m

Code No. Angle profile W 40-45			Anodised
4775000	Cut to size	max. 6000 mm	Clear
4775001	Bar	6000 mm	Clear

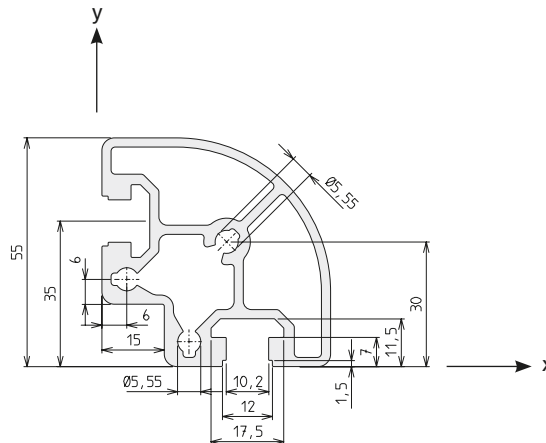
Code No. Corner joint	Type
4472406	KLW 40-45

W 40-60


Area	671	mm ²
I_x	11.2	cm ⁴
I_y	12.8	cm ⁴
W_x	4.2	cm ³
W_y	4.6	cm ³
Weight	1812	g/m

Code No. Angle profile W 40-60			Anodised
4785000	Cut to size	max. 6000 mm	Clear
4785001	Bar	6000 mm	Clear

Code No. Corner joint	Type
4632406	KLW 40-60

W 40-90


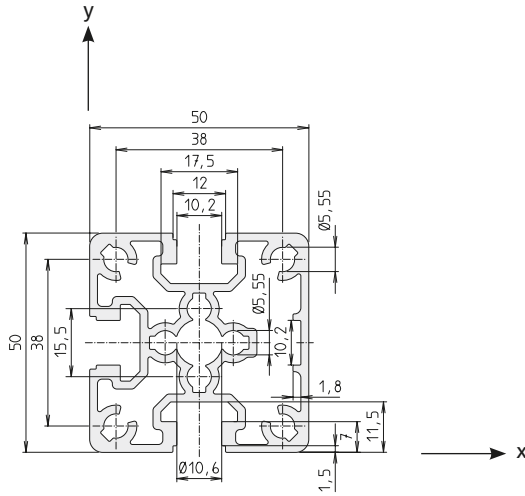
Area	797	mm ²
I_x	22.0	cm ⁴
I_y	22.0	cm ⁴
W_x	7.4	cm ³
W_y	7.4	cm ³
Weight	2153	g/m

Code No. Angle profile W 40-90			Anodised
4795000	Cut to size	max. 6000 mm	Clear
4795001	Bar	6000 mm	Clear

Code No. Corner joint	Type
4482406	KLW 40-90

Visible profiles / size 50

F-G 50x50

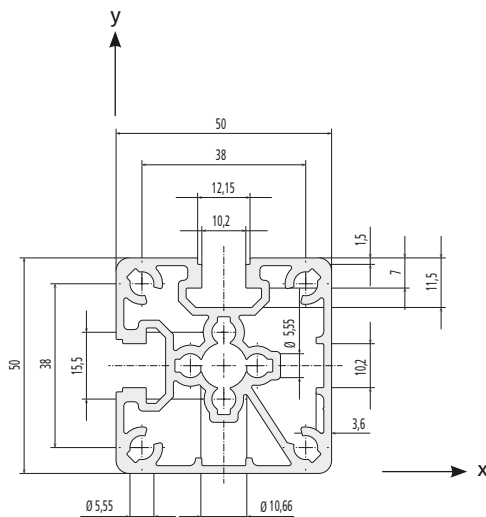


Area	832	mm ²
I_x	21.6	cm ⁴
I_y	22.2	cm ⁴
W_x	8.6	cm ³
W_y	8.9	cm ³
Weight	2247	g/m

Code No. Profile F-G 50x50			Anodised
4A65000	Cut to size	max. 6000 mm	Clear
4A65001	Bar	6000 mm	Clear

Connection	Quantity required per conn.	Slot geo.	Flange back.	Code No./ unit	
	Long	1	30	50	4086706
		1	40	50	4086702
	Flange slot stone -N-	4	40	50 (N)	4A66700

F-GG 50x50

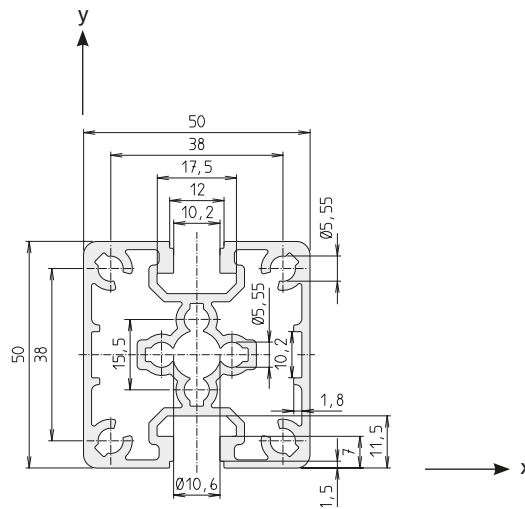


Area	815	mm ²
I_x	21.5	cm ⁴
I_y	22.1	cm ⁴
W_x	8.4	cm ³
W_y	8.7	cm ³
Weight	2200	g/m

Code No. Profile F-GG 50x50			Anodised
4A75000	Cut to size	max. 6000 mm	Clear
4A75001	Bar	6000 mm	Clear


Connection	Quantity required per conn.	Slot geo.	Flange back.	Code No./ unit	
	Flange slot stone -N-	1	40	50 (N)	4A66700

F-2G 50x50

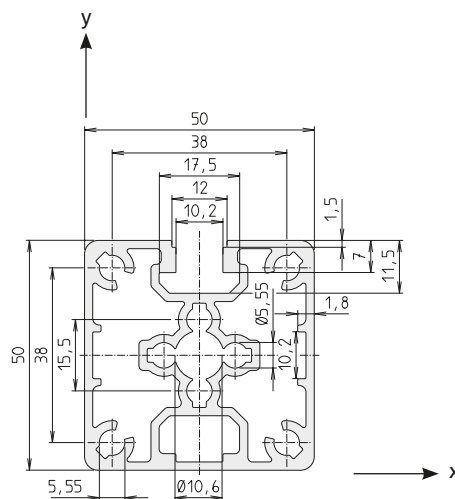


Area	779	mm ²
I_x	20.6	cm ⁴
I_y	21.8	cm ⁴
W_x	8.3	cm ³
W_y	8.7	cm ³
Weight	2103	g/m

Code No. Profile F-2G 50x50			Anodised
4A85000	Cut to size	max. 6000 mm	Clear
4A85001	Bar	6000 mm	Clear

Connection	Quantity required per conn.	Slot geo.	Flange brack.	Code No./unit
 Long	1	30	50	4086706
	1	40	50	4086702

F-3G 50x50



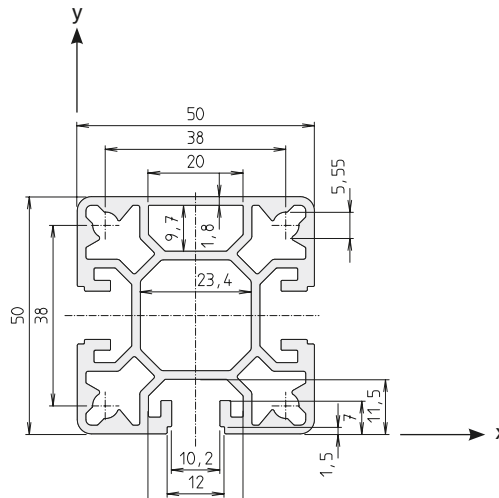
Area	791	mm ²
I_x	20.7	cm ⁴
I_y	22.8	cm ⁴
W_x	9.0	cm ³
W_y	9.1	cm ³
Weight	2137	g/m

Code No. Profile F-3G 50x50			Anodised
4A95000	Cut to size	max. 6000 mm	Clear
4A95001	Bar	6000 mm	Clear

Connection	Quantity required per conn.	Slot geo.	Flange brack.	Code No./unit
 Flange slot stone -N-	1	40	50 (N)	4A66700

Visible profiles / size 50

Pillar profile SP-50x50



Area	753	mm ²
I_x	20.8	cm ⁴
I_y	20.7	cm ⁴
W_x	8.2	cm ³
W_y	8.3	cm ³
Weight	2033	g/m

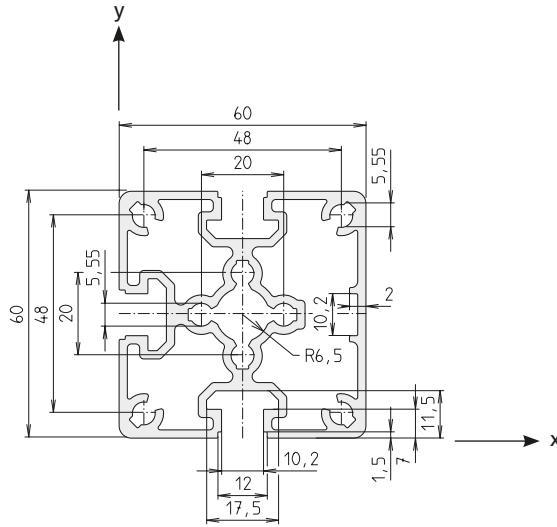
Code No. Pillar profile SP-50x50			Anodised
4635000	Cut to size	max. 6000 mm	Clear
4635001	Bar	6000 mm	Clear

Note: Purely a pillar/post profile on the face of which no connector can be attached. Profile lengths 6700 mm available on request.





Visible profiles / size 60

F-G 60x60

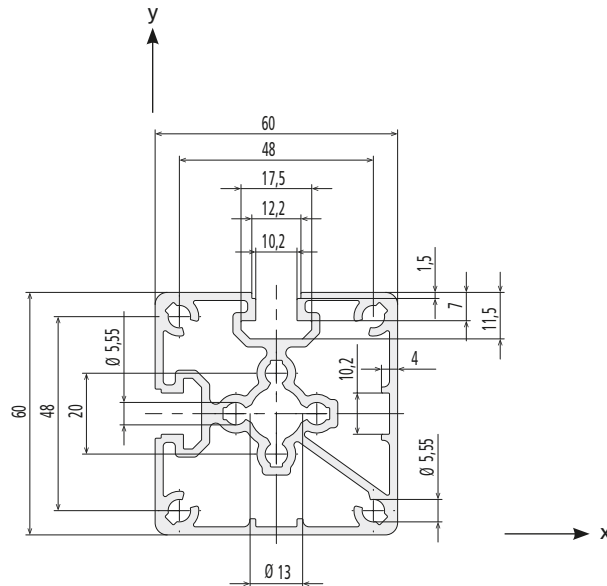


Area	1020	mm ²
I_x	37.9	cm ⁴
I_y	39.5	cm ⁴
W_x	12.6	cm ³
W_y	12.7	cm ³
Weight	2757	g/m

Code No. Profile F-G 60x60			Anodised
4A25000	Cut to size	max. 6000 mm	Clear
4A25001	Bar	6000 mm	Clear


Connection	Quantity re-quired per conn.	Slot geometry	Flange bracket	Code No./ unit
 Long	1	30	60	4226706
		40	60	4226702
 Flange slot stone -N-	1	40	60 (N)	4A26700

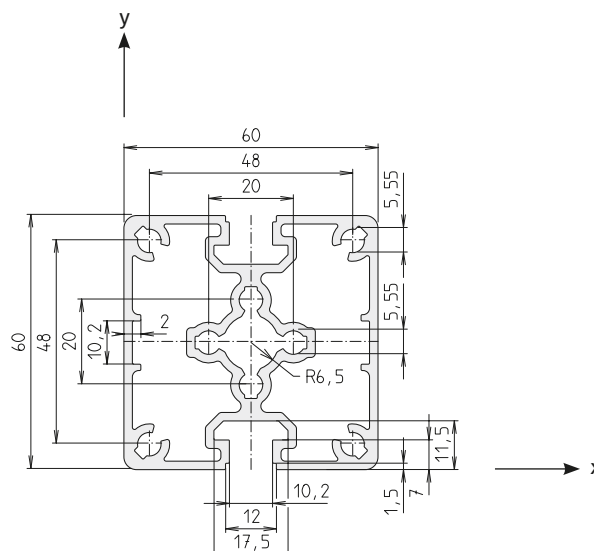
F-GG 60x60



Area	1001	mm ²
I_x	38.1	cm ⁴
I_y	39.0	cm ⁴
W_x	12.5	cm ³
W_y	12.8	cm ³
Weight	2701	g/m

Code No. Profile F-GG 60x60			Anodised
4A35000	Cut to size	max. 6000 mm	Clear
4A35001	Bar	6000 mm	Clear

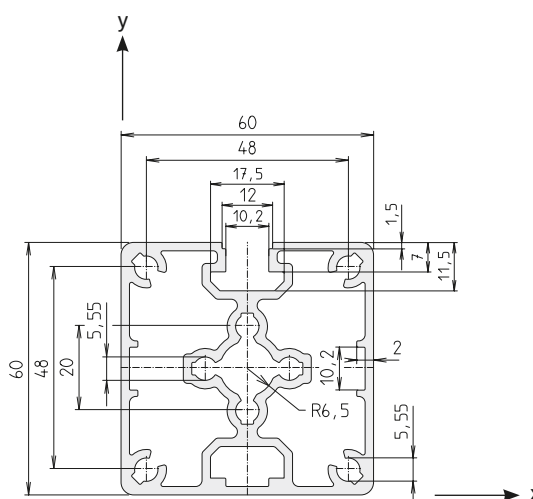
Connection	Quantity required per conn.	Slot geometry	Flange bracket	Code No./ unit
 Flange slot stone -N-	1	40	60 (N)	4A26700

F-2G 60x60


Area	956	mm ²
I_x	36.2	cm ⁴
I_y	39.1	cm ⁴
W_x	12.1	cm ³
W_y	13.0	cm ³
Weight	2585	g/m

Code No. Profile F-2G 60x60			Anodised
4A45000	Cut to size	max. 6000 mm	Clear
4A45001	Bar	6000 mm	Clear

Connection	Quantity required per conn.	Slot geometry	Flange bracket	Code No./ unit
Long	1	30	60	4226706
	1	40	60	4226702

F-3G 60x60


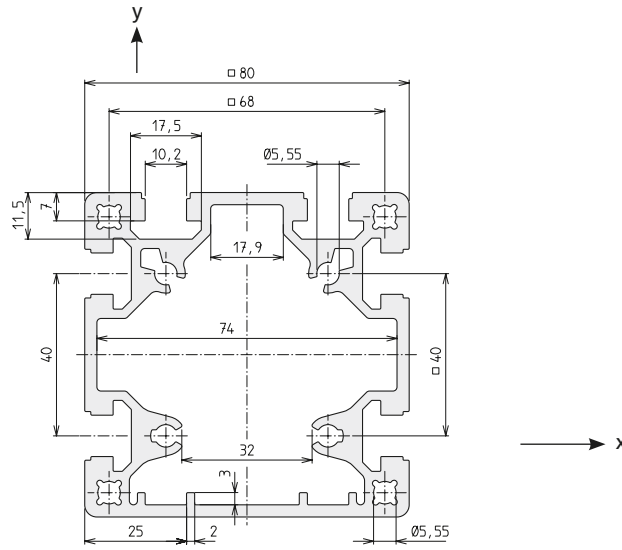
Area	981	mm ²
I_x	36.5	cm ⁴
I_y	41.2	cm ⁴
W_x	11.9	cm ³
W_y	13.7	cm ³
Weight	2649	g/m

Code No. Profile F-3G 60x60			Anodised
4A55000	Cut to size	max. 6000 mm	Clear
4A55001	Bar	6000 mm	Clear

Connection	Quantity required per conn.	Slot geometry	Flange bracket	Code No./ unit
Flange slot stone -N-	1	40	60 (N)	4A26700

Visible profiles / size 80

F-G 80x80

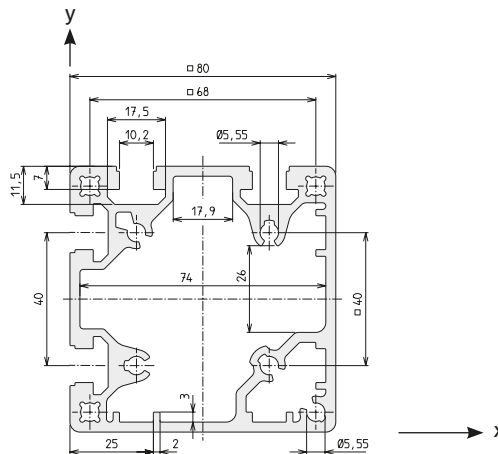


Area	1710	mm ²
I _x	135.5	cm ⁴
I _y	139.3	cm ⁴
W _x	34.8	cm ³
W _y	33.0	cm ³
Weight	4557	g/m

Code No. Profile F-G 80x80			Anodised
4585000	Cut to size	max. 6000 mm	Clear
4585001	Bar	6000 mm	Clear

Connection	Quantity required per conn.	Slot geometry	Flange bracket	Code No./unit	
	Long	2	30	80	4316706
		2	40	80	4246702
	Extra long	2	40	80 (EL)	4586702
	Flange slot stone -N-	2	40	80 (N)	4586703

F-GG 80x80



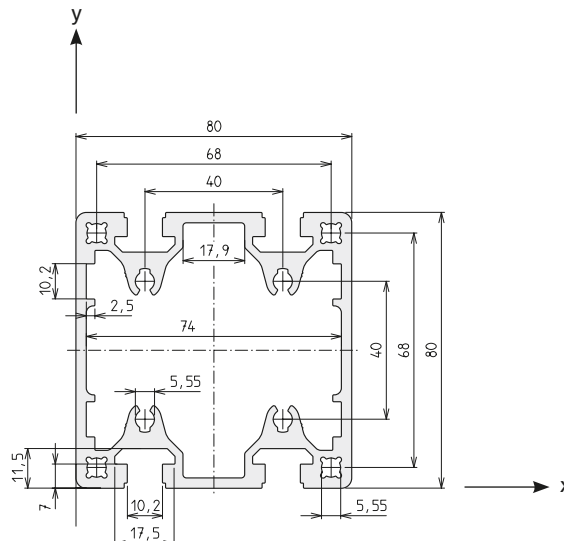
Area	1686	mm ²
I _x	136.2	cm ⁴
I _y	136.2	cm ⁴
W _x	34.1	cm ³
W _y	34.1	cm ³
Weight	4497	g/m

Code No. Profile F-GG 80x80			Anodised
4595000	Cut to size	max. 6000 mm	Clear
4595001	Bar	6000 mm	Clear

Connection	Quantity required per conn.	Slot geometry	Flange bracket	Code No./unit	
	Extra long	2	40	80 (EL)	4586702
	Flange slot stone -N-	2	40	80 (N)	4586703



F-2G 80x80

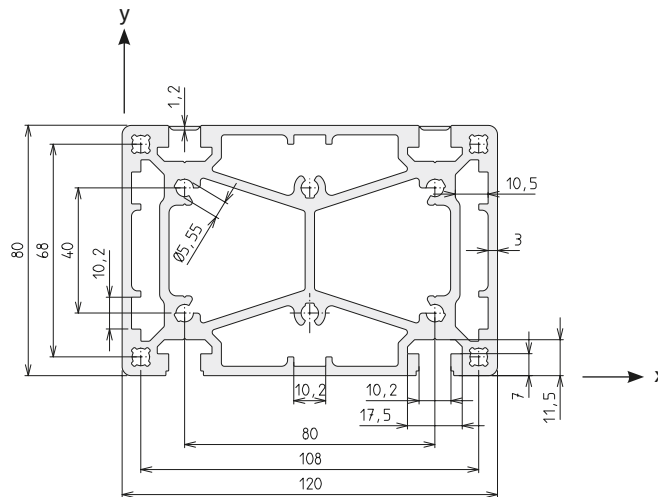


Code No. Profile F-2G 80x80			Anodised
4A15000	Cut to size	max. 6000 mm	Clear
4A15001	Bar	6000 mm	Clear

Area 1656 mm²
 I_x 133.4 cm⁴
 I_y 140.0 cm⁴
 W_x 33.3 cm³
 W_y 35.5 cm³
 Weight 4471 g/m

Connection	Quantity required per conn.	Slot geometry	Flange bracket	Code No./ unit
	2	30	80	4316706
	2	40	80	4246702

F-3G 80x120-A



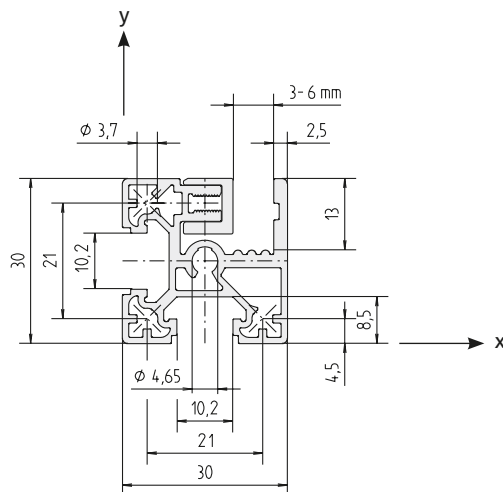
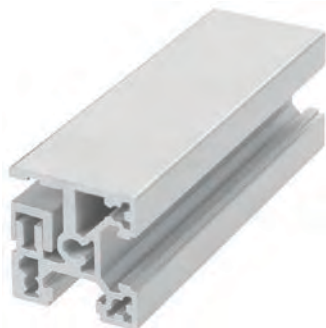
Code No. Profile F-3G 80x120-A			Anodised
4965000	Cut to size	max. 6000 mm	Clear
4965001	Bar	6000 mm	Clear

Area 2896 mm²
 I_x 213.3 cm⁴
 I_y 467.8 cm⁴
 W_x 52.8 cm³
 W_y 77.9 cm³
 Weight 7818 g/m

Connection	Quantity required per conn.	Slot geometry	Flange bracket	Code No./ unit
	2	40	120 (A)	4966700
	2	40	80 (EL)	4586702

Frame profiles / size 30

Clamping profile KL 30x30-2

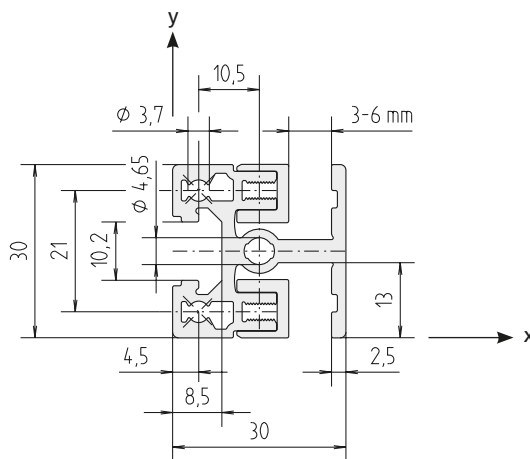
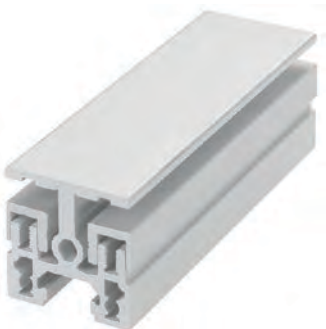


Area	293	mm ²
I _x	2.3	cm ⁴
I _y	2.7	cm ⁴
W _x	1.5	cm ³
W _y	1.8	cm ³
Weight	917	g/m

Code No. Clamping profile KL 30x30-2			Anodised
4D25008	Cut to size	max. 6000 mm	Clear
4D25009	Bar	6000 mm	Clear

Code No. Corner joint	Type
4202406	KL 30

Clamping profile KLD 30x30

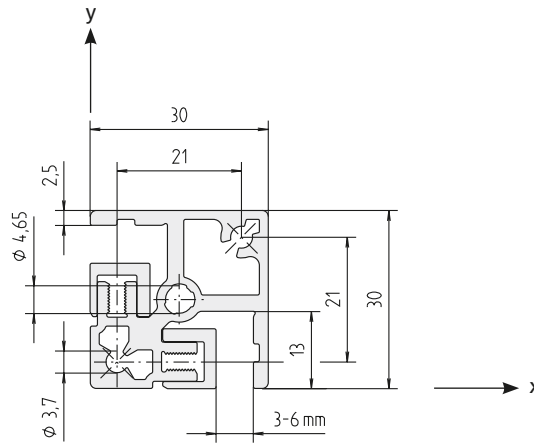


Area	348	mm ²
I _x	2.7	cm ⁴
I _y	3.1	cm ⁴
W _x	1.8	cm ³
W _y	2.2	cm ³
Weight	1188	g/m

Code No. Clamping profile KLD 30x30			Anodised
4605008	Cut to size	max. 6000 mm	Clear
4605009	Bar	6000 mm	Clear

Code No. Corner joint	Type
4202408	KLK 30
4202407	KLV 30

Clamping profile KLE 30x30

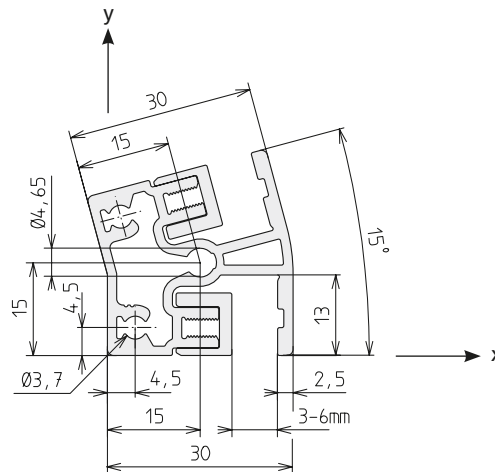


Area	348	mm ²
I_x	3.0	cm ⁴
I_y	3.0	cm ⁴
W_x	2.0	cm ³
W_y	2.0	cm ³
Weight	1179	g/m

Code No. Clamping profile KLE 30x30			Anodised
4705008	Cut to size	max. 6000 mm	Clear
4705009	Bar	6000 mm	Clear

Code No. Corner joint	Type
4702406	KLE 30

Clamping profile KLW 30-15



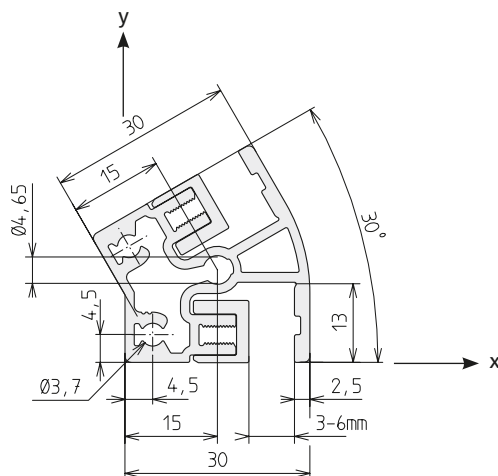
Area	405	mm ²
I_x	2.5	cm ⁴
I_y	3.3	cm ⁴
W_x	1.4	cm ³
W_y	1.9	cm ³
Weight	853	g/m

Code No. Clamping profile KLW 30-15			Anodised
4405000	Cut to size	max. 6000 mm	Clear
4405001	Bar	6000 mm	Clear

Code No. Corner joint	Type
4402406	KLW 30-15

Frame profiles / size 30

Clamping profile K LW 30-30

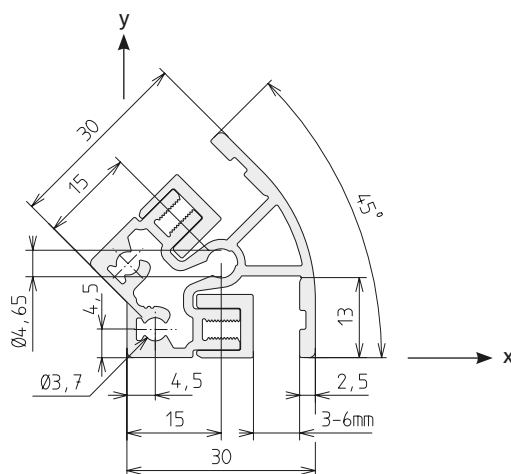


Area	405	mm ²
I _x	2.4	cm ⁴
I _y	3.3	cm ⁴
W _x	1.2	cm ³
W _y	1.8	cm ³
Weight	852	g/m

Code No. Clamping profile K LW 30-30			Anodised
4415000	Cut to size	max. 6000 mm	Clear
4415001	Bar	6000 mm	Clear

Code No. Corner joint	Type
4412406	K LW 30-30

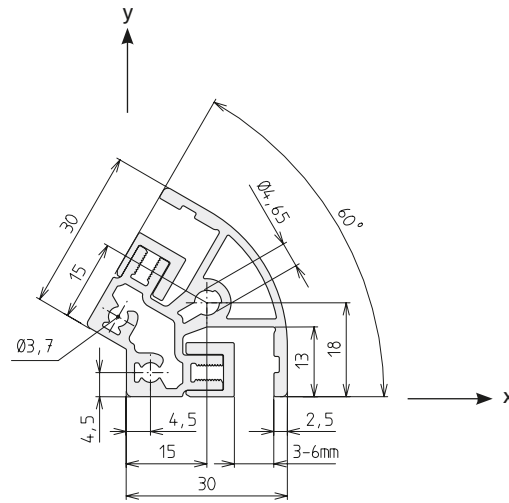
Clamping profile K LW 30-45



Area	402	mm ²
I _x	2.4	cm ⁴
I _y	3.1	cm ⁴
W _x	1.1	cm ³
W _y	1.7	cm ³
Weight	845	g/m

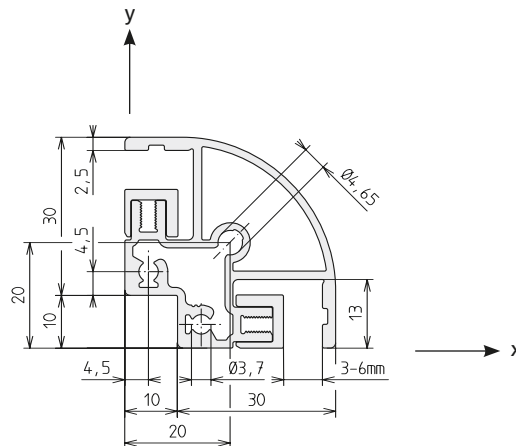
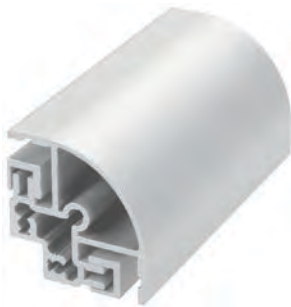
Code No. Clamping profile K LW 30-45			Anodised
4425000	Cut to size	max. 6000 mm	Clear
4425001	Bar	6000 mm	Clear

Code No. Corner joint	Type
4422406	K LW 30-45

Clamping profile K LW 30-60


Area	357	mm ²
I_x	3.3	cm ⁴
I_y	3.5	cm ⁴
W_x	1.7	cm ³
W_y	1.5	cm ³
Weight	966	g/m

Code No. Clamping profile K LW30-60			Anodised
4445000	Cut to size	max. 6000 mm	Clear
4445001	Bar	6000 mm	Clear
Code No. Corner joint		Type	
4622406	K LW 30-60		

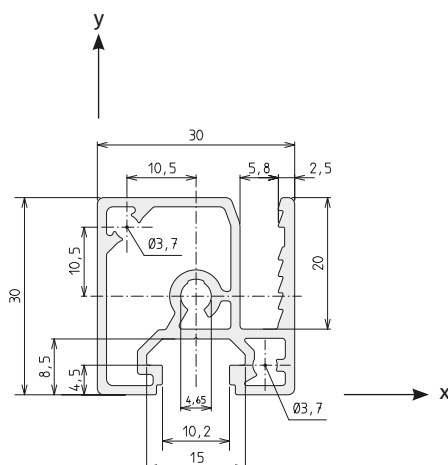
Clamping profile K LW 30-90


Area	640	mm ²
I_x	9.7	cm ⁴
I_y	7.2	cm ⁴
W_x	2.7	cm ³
W_y	4.1	cm ³
Weight	1051	g/m

Code No. Clamping profile K LW 30-90			Anodised
4435000	Cut to size	max. 6000 mm	Clear
4435001	Bar	6000 mm	Clear
Code No. Corner joint		Type	
4432406	K LW 30-90		

Frame profiles / size 30

ESP 30x30

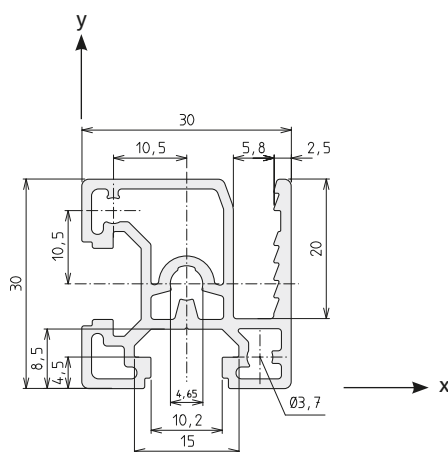
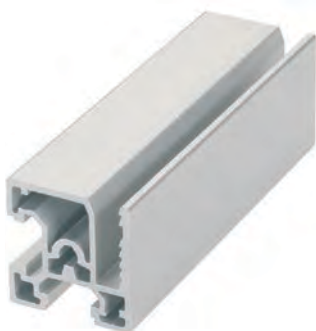


Code No. Inserting profile ESP 30x30			Anodised
4895000	Cut to size	max. 6000 mm	Clear
4895001	Bar	6000 mm	Clear

Area	275	mm ²
I _x	2.3	cm ⁴
I _y	2.8	cm ⁴
W _x	1.4	cm ³
W _y	1.8	cm ³
Weight	742	g/m

Code No.	Type	
4202406	Corner joint KL 30	
4016578	Wire mesh 30x30x3	Galvanised steel, max. size 2x3 m

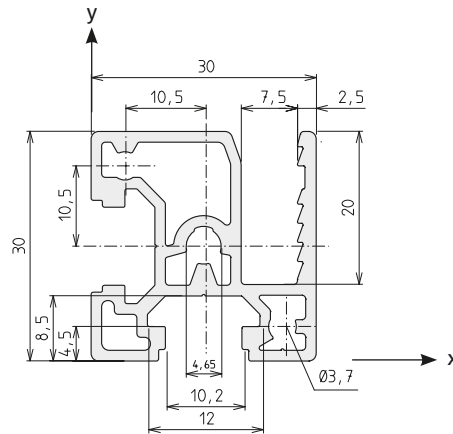
ESP 30x30/2



Code No. Inserting profile ESP 30x30/2			Anodised
4935000	Cut to size	max. 6000 mm	Clear
4935001	Bar	6000 mm	Clear

Area	293.8	mm ²
I _x	2.4	cm ⁴
I _y	2.8	cm ⁴
W _x	1.5	cm ³
W _y	1.8	cm ³
Weight	796	g/m

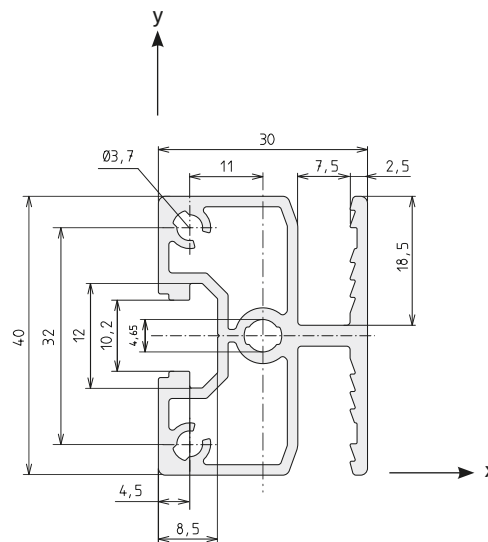
Code No.	Type	
4202406	Corner joint KL 30	
4016578	Wire mesh 30x30x3	Galvanised steel, max. size 2x3 m

ESP 30x30/2 (40)


Code No. Inserting profile ESP 30x30/2 (40)			Anodised
4995000	Cut to size	max. 6000 mm	Clear
4995001	Bar	6000 mm	Clear

Area	295	mm ²
I_x	2.3	cm ⁴
I_y	2.9	cm ⁴
W_x	1.5	cm ³
W_y	1.9	cm ³
Weight	798	g/m

Code No.	Type
4202406	Corner joint KL-30
4016579	Wire mesh 30x30x3

ESPD 30x40 (40)


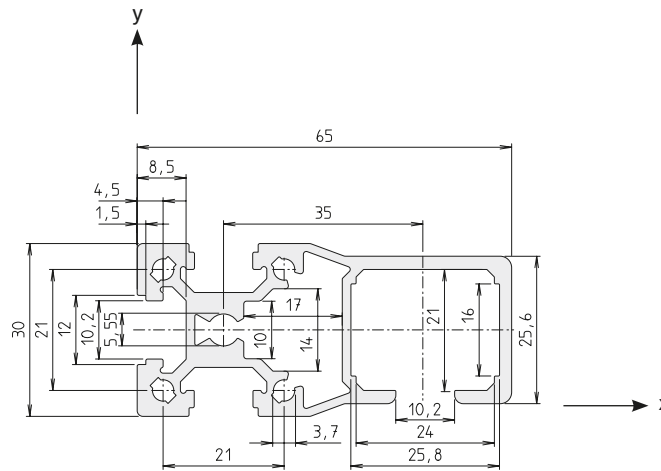
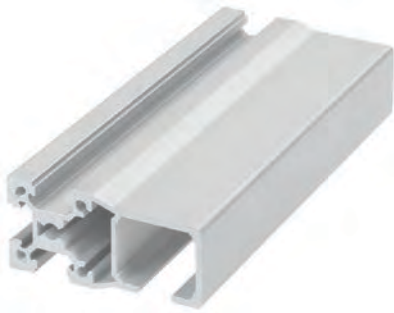
Code No. Inserting profile ESPD 30x40 (40)			Anodised
4985000	Cut to size	max. 6000 mm	Clear
4985001	Bar	6000 mm	Clear

Area	370	mm ²
I_x	3.8	cm ⁴
I_y	5.2	cm ⁴
W_x	1.9	cm ³
W_y	3.5	cm ³
Weight	1000	g/m

Code No.	Type
4016579	Wire mesh 40x40x4

Frame profiles / size 40

STP 30

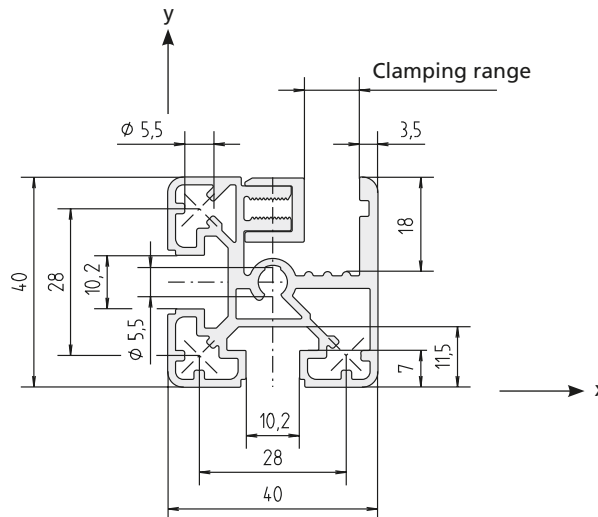


Code No. Sliding door profile STP-30			Anodised
4175000	Cut to size	max. 6000 mm	Clear
4175001	Bar	6000 mm	Clear

Area	536	mm ²
I_x	5.2	cm ⁴
I_y	22.8	cm ⁴
W_x	3.7	cm ³
W_y	6.1	cm ³
Weight	1448	g/m

Connection	Quantity required per conn.	Slot geometry	Flange bracket	Code No./unit
long. + transverse	1	30	30	4176704
	1	40	30	4176705

Clamping profile KL 40x40-2

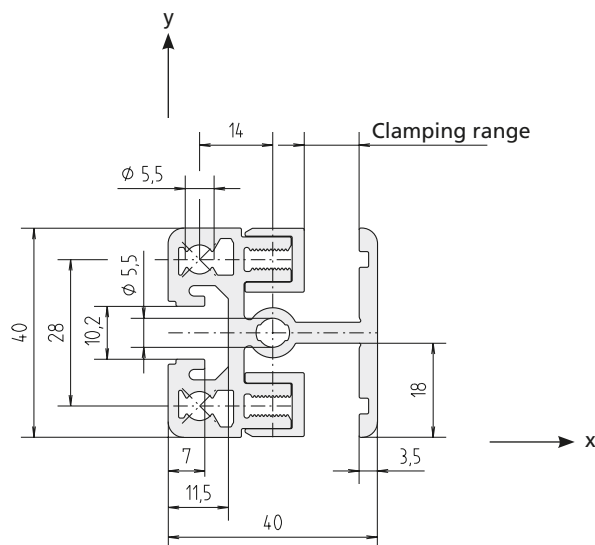


Code No. Clamping profile KL 40x40-2			Clamping range	Anodised
4B95100	Cut to size	max. 6000 mm	0-6 mm	Clear
4B95101	Bar	6000 mm	0-6 mm	Clear
4B95008	Cut to size	max. 6000 mm	4-10 mm	Clear
4B95009	Bar	6000 mm	4-10 mm	Clear

Area	508	mm ²
I_x	7.0	cm ⁴
I_y	8.3	cm ⁴
W_x	3.5	cm ³
W_y	4.1	cm ³
Weight	1596	g/m

Code No. Corner joint	Type
4212406	KL 40

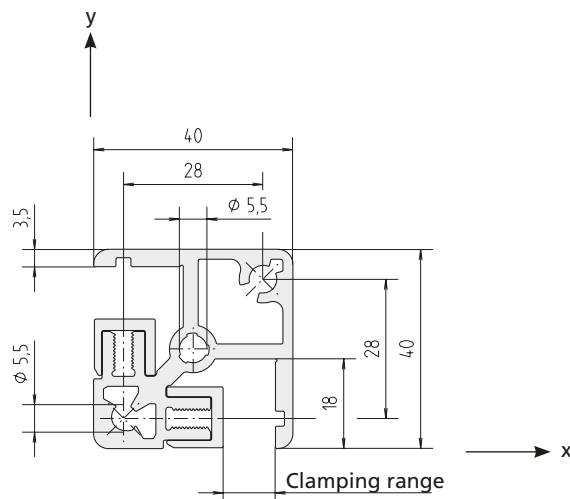
Clamping profile KLD 40x40



Area	612	mm ²
I_x	8.3	cm ⁴
I_y	10.0	cm ⁴
W_x	4.1	cm ³
W_y	5.5	cm ³
Weight	1975	g/m

Code No. Clamping profile KLD 40x40			Clamping range	Ano-dised
4615100	Cut to size	max. 6000 mm	0-6 mm	Clear
4615101	Bar	6000 mm	0-6 mm	Clear
4615008	Cut to size	max. 6000 mm	4-10 mm	Clear
4615009	Bar	6000 mm	4-10 mm	Clear
Code No. Corner joint	Type			
4212408	KLK 40			
4212407	KLV 40			

Clamping profile KLE 40x40

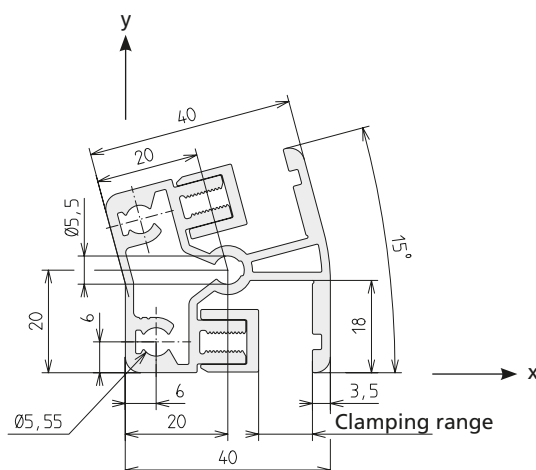


Area	590	mm ²
I_x	9.3	cm ⁴
I_y	9.3	cm ⁴
W_x	4.6	cm ³
W_y	4.6	cm ³
Weight	1914	g/m

Code No. Clamping profile KLE 40x40			Clamping range	Ano-dised
4715100	Cut to size	max. 6000 mm	0-6 mm	Clear
4715101	Bar	6000 mm	0-6 mm	Clear
4715008	Cut to size	max. 6000 mm	4-10 mm	Clear
4715009	Bar	6000 mm	4-10 mm	Clear
Code No. Corner joint	Type			
4712406	KLE 40			

Frame profiles / size 40

Clamping profile K LW 40-15

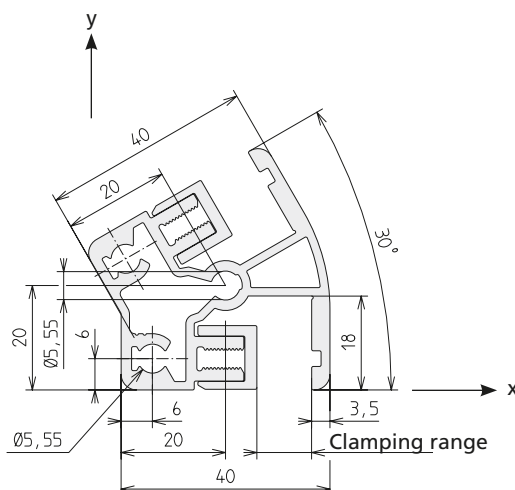


Area	641	mm ²
I_x	7.4	cm ⁴
I_y	9.7	cm ⁴
W_x	3.1	cm ³
W_y	4.4	cm ³
Weight	1408	g/m

Code No. Clamping profile K LW 40-15			Clamping range	Ano-dised
4455100	Cut to size	max. 6000 mm	0-6 mm	Clear
4455101	Bar	6000 mm	0-6 mm	Clear
4455000	Cut to size	max. 6000 mm	4-10 mm	Clear
4455001	Bar	6000 mm	4-10 mm	Clear

Code No. Corner joint	Type
4412406	K LW 40-15

Clamping profile K LW 40-30

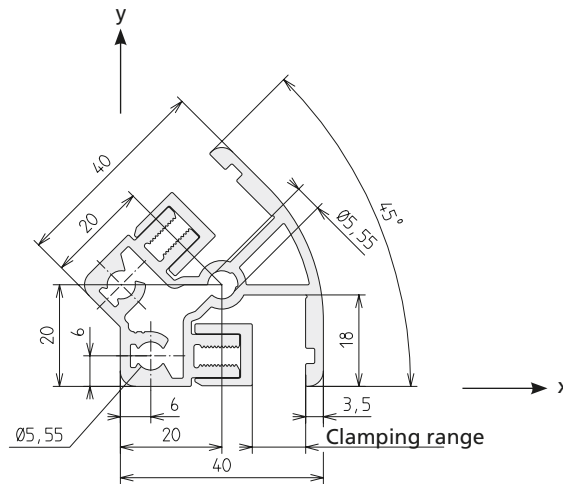


Area	640	mm ²
I_x	7.2	cm ⁴
I_y	9.7	cm ⁴
W_x	2.7	cm ³
W_y	4.1	cm ³
Weight	1406	g/m

Code No. Clamping profile K LW 40-30			Clamping range	Ano-dised
4465100	Cut to size	max. 6000 mm	0-6 mm	Clear
4465101	Bar	6000 mm	0-6 mm	Clear
4465000	Cut to size	max. 6000 mm	4-10 mm	Clear
4465001	Bar	6000 mm	4-10 mm	Clear

Code No. Corner joint	Type
4462406	K LW 40-30

Clamping profile K LW 40-45

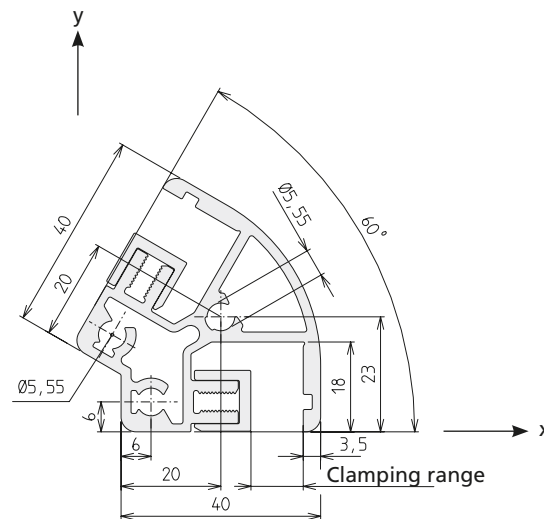


Area	654	mm ²
I_x	7.3	cm ⁴
I_y	9.6	cm ⁴
W_x	2.6	cm ³
W_y	3.9	cm ³
Weight	1764	g/m

Code No. Clamping profile K LW 40-45			Clamping range	Ano-dised
4475100	Cut to size	max. 6000 mm	0-6 mm	Clear
4475101	Bar	6000 mm	0-6 mm	Clear
4475000	Cut to size	max. 6000 mm	4-10 mm	Clear
4475001	Bar	6000 mm	4-10 mm	Clear

Code No. Corner joint	Type
4472406	K LW 40-45

Clamping profile K LW 40-60



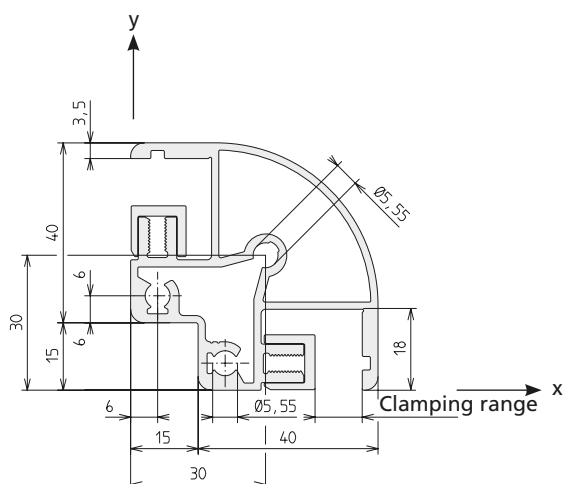
Area	572	mm ²
I_x	9.6	cm ⁴
I_y	10.7	cm ⁴
W_x	3.8	cm ³
W_y	3.3	cm ³
Weight	1545	g/m

Code No. Clamping profile K LW 40-60			Clamping range	Ano-dised
4495100	Cut to size	max. 6000 mm	0-6 mm	Clear
4495101	Bar	6000 mm	0-6 mm	Clear
4495000	Cut to size	max. 6000 mm	4-10 mm	Clear
4495001	Bar	6000 mm	4-10 mm	Clear

Code No. Corner joint	Type
4632406	K LW 40-60

Frame profiles / size 40

Clamping profile KLV 40-90

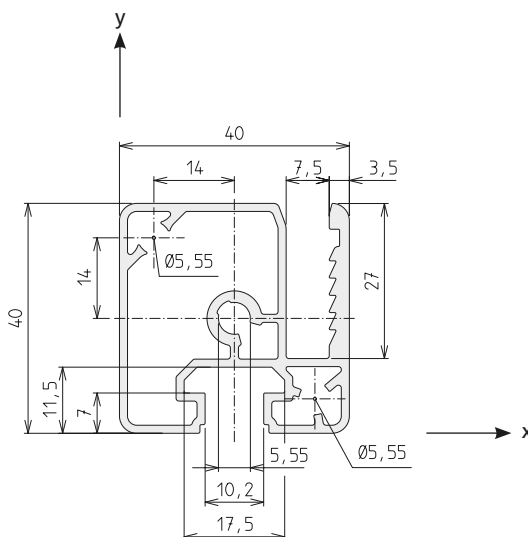


Area	774	mm ²
I _x	17.3	cm ⁴
I _y	17.3	cm ⁴
W _x	5.8	cm ³
W _y	5.8	cm ³
Weight	1767	g/m

Code No. Clamping profile KLV 40-90			Clamping range	Anodised
4485100	Cut to size	max. 6000 mm	0-6 mm	Clear
4485101	Bar	6000 mm	0-6 mm	Clear
4485000	Cut to size	max. 6000 mm	4-10 mm	Clear
4485001	Bar	6000 mm	4-10 mm	Clear

Code No. Corner joint	Type
4482406	KLV 40-90

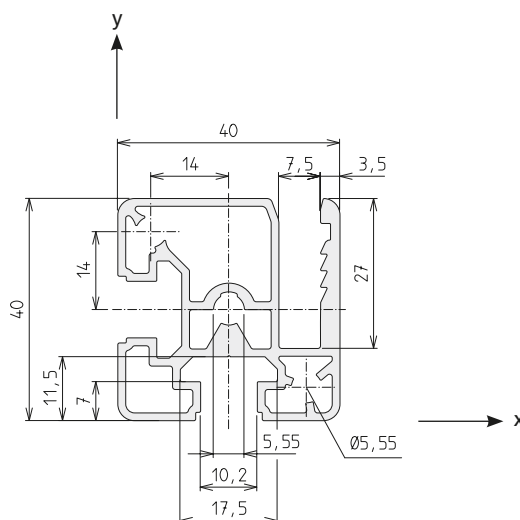
ESP 40x40



Area	405	mm ²
I _x	6.1	cm ⁴
I _y	7.3	cm ⁴
W _x	2.7	cm ³
W _y	3.5	cm ³
Weight	1095	g/m

Code No. Inserting profile ESP 40x40			Anodised
4905000	Cut to size	max. 6000 mm	Clear
4905001	Bar	6000 mm	Clear

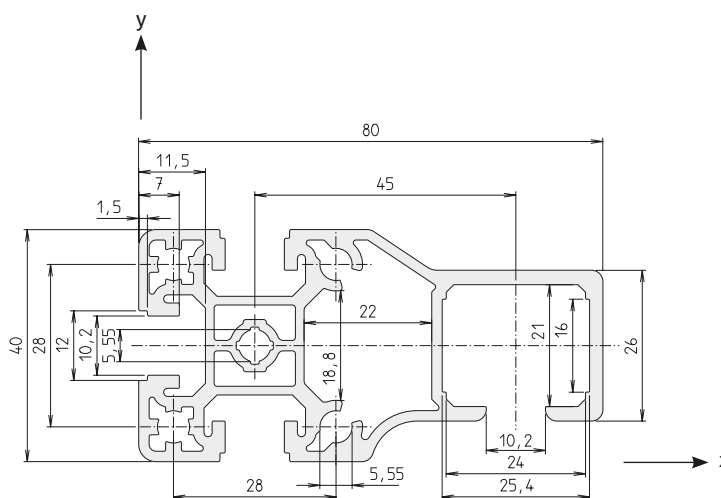
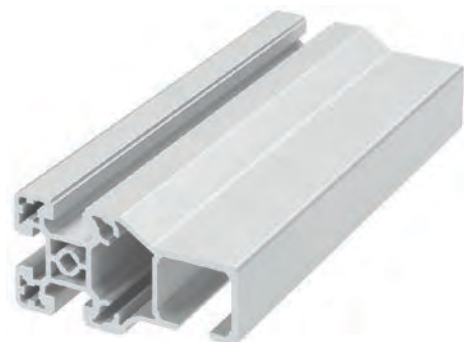
Code No.	Type
4212406	Corner joint KL 40
4016579	Wire mesh 30x30x4 Galvanised steel, max. size 2x3 m

ESP 40x40/2


Code No. Inserting profile ESP 40x40			Anodised
4945000	Cut to size	max. 6000 mm	Clear
4945001	Bar	6000 mm	Clear

Area	457	mm ²
I_x	6.3	cm ⁴
I_y	7.7	cm ⁴
W_x	3.0	cm ³
W_y	3.6	cm ³
Weight	1234	g/m

Code No.	Type	
4212406	Corner joint KL 40	
4016579	Wire mesh 30x30x4	Galvanised steel, max. size 2x3 m

STP-40


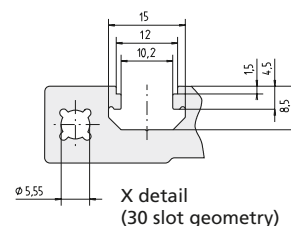
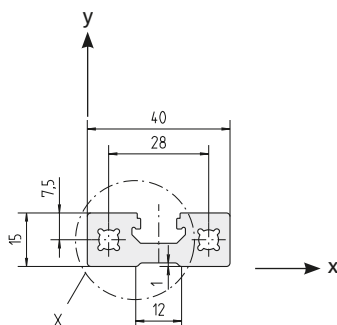
Code No. Sliding door profile STP-40			Anodised
4185000	Cut to size	max. 6000 mm	Clear
4185001	Bar	6000 mm	Clear

Area	815	mm ²
I_x	12.5	cm ⁴
I_y	46.5	cm ⁴
W_x	6.1	cm ³
W_y	9.7	cm ³
Weight	2199	g/m

Connection	Quantity re-quired per conn.	Slot geometry	Flange bracket	Code No./ unit
long. + transverse	1	30	40	4816703
	1	40	40	4816702

Special profiles / size 15

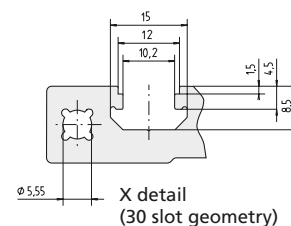
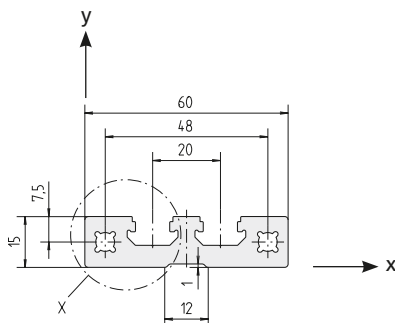
15x40



Area	421	mm ²
I _x	0.8	cm ⁴
I _y	6.6	cm ⁴
W _x	1.3	cm ³
W _y	3.3	cm ³
Weight	1137	g/m

Code No. Profile 15x40			Anodised	
4385000	Cut to size	max. 3000 mm	Clear	
4385001	Bar	3000 mm	Clear	
Connection	Quantity required per conn.	Slot geometry	Flange bracket	Code No./ unit
long.	2	30	15	4386704
	2	40	15	4386705

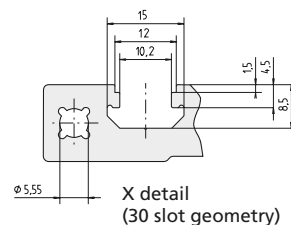
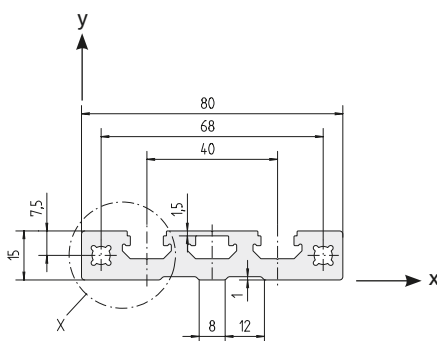
15x60



Area	619	mm ²
I _x	1.2	cm ⁴
I _y	21.0	cm ⁴
W _x	1.9	cm ³
W _y	7.0	cm ³
Weight	1670	g/m

Code No. Profile 15x60			Anodised	
4345000	Cut to size	max. 3000 mm	Clear	
4345001	Bar	3000 mm	Clear	
Connection	Quantity required per conn.	Slot geometry	Flange bracket	Code No./ unit
long.	2	30	15	4386704
	2	40	15	4386705

15x80

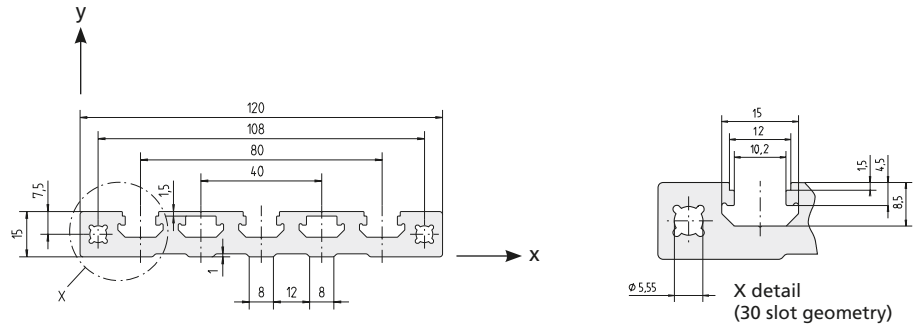


Area	823	mm ²
I _x	1.7	cm ⁴
I _y	47.8	cm ⁴
W _x	2.5	cm ³
W _y	11.9	cm ³
Weight	2220	g/m

Code No. Profile 15x80			Anodised	
4355000	Cut to size	max. 3000 mm	Clear	
4355001	Bar	3000 mm	Clear	
Connection	Quantity required per conn.	Slot geometry	Flange bracket	Code No./ unit
long.	2	30	15	4386704
	2	40	15	4386705



15x120

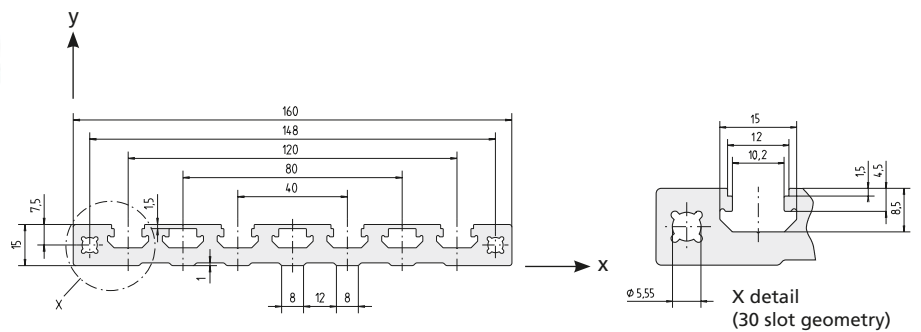


Code No. Profile 15x120			Anodised
4365000	Cut to size	max. 3000 mm	Clear
4365001	Bar	3000 mm	Clear

Area	1213	mm ²
I_x	2.4	cm ⁴
I_y	154.9	cm ⁴
W_x	3.6	cm ³
W_y	25.8	cm ³
Weight	3270	g/m

Connection	Quantity re-quired per conn.	Slot geometry	Flange bracket	Code No./ unit
long.	2	30	15	4386704
long.	2	40	15	4386705

15x160



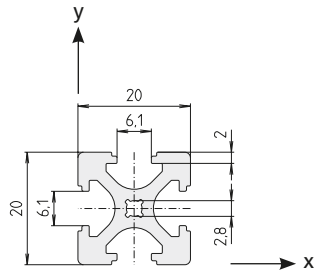
Code No. Profile 15x160			Anodised
4375000	Cut to size	max. 6000 mm	Clear
4375001	Bar	6000 mm	Clear

Area	1602	mm ²
I_x	3.1	cm ⁴
I_y	359.0	cm ⁴
W_x	4.8	cm ³
W_y	44.9	cm ³
Weight	4320	g/m

Connection	Quantity re-quired per conn.	Slot geometry	Flange bracket	Code No./ unit
long.	2	30	15	4386704
long.	2	40	15	4386705

Special profiles M-BLOCAN® / size 20

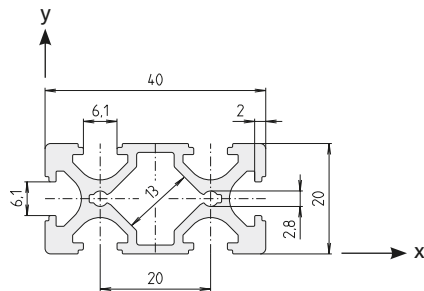
F-20x20



Area	198	mm ²
I_x	0.8	cm ⁴
I_y	0.8	cm ⁴
W_x	0.8	cm ³
W_y	0.8	cm ³
Weight	533	g/m

Code No. Profile F-20x20			Anodised
E01000BBA	Cut to size	max. 3000 mm	Clear
E01000BBC	Bar	3000 mm	Clear
Connection	To slot geometry	Flange bracket kit	Code No.
long.+ transverse	20	F-20x20	E01007AAE
	30	Adapter	E01009AAE
	40	Adapter	E01012AAE

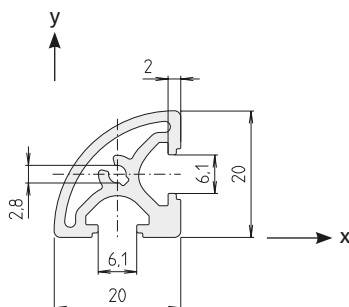
F-20x40



Area	313.2	mm ²
I_x	1.31	cm ⁴
I_y	5.39	cm ⁴
W_x	1.31	cm ³
W_y	2.69	cm ³
Weight	846	g/m

Code No. Profile F-20x40			Anodised
E03000BBA	Cut to size	max. 6000 mm	Clear
E03000BBC	Bar	6000 mm	Clear
Connection	To slot geometry	Flange bracket kit	Code No.
transverse	20	F-20x40	2x E01007AAE
	20	F-20x40	E03007AAE
long.	30	Adapter	E03009AAE
	40	Adapter	E03012AAE

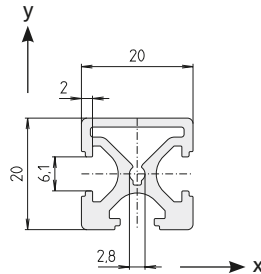
F-R 20



Area	154.50	mm ²
I_x	0.54	cm ⁴
W_x	0.63	cm ³
W_y	0.48	cm ³
Weight	416	g/m



Code No. Profile F-R 20			Anodised
E02000BBA	Cut to size	max. 3000 mm	Clear
E02000BBC	Bar	3000 mm	Clear
Connection	To slot geometry	Flange bracket kit	Code No.
long.+ transverse	20	F-R 20	E02007AAE
	30	Adapter	E07009AAE
	40	Adapter	E07012AAE

F-G 20x20

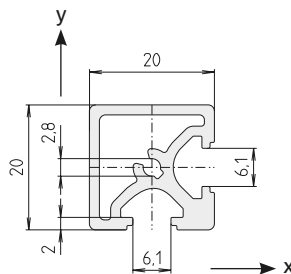


Area	182.00	mm ²
I_x	0.77	cm ⁴
I_y	0.71	cm ⁴
W_x	0.792	cm ³
W_y	0.714	cm ³
Weight	491	g/m

Code No. Profile F-G 20x20			Anodised
E07000BBA	Cut to size	max. 3000 mm	Clear
E07000BBC	Bar	3000 mm	Clear


Connection	To slot geometry	Flange bracket kit	Code No.
 Long	20	F-G 20x20	E01007AAE
	30	Adapter	E01009AAE
	40	Adapter	E01012AAE
 Short	20	F-G 20x20	E07007AAE
	30	Adapter	E07009AAE
	40	Adapter	E07012AAE

F-GG 20x20



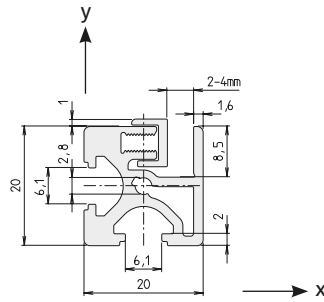
Area	166.00	mm ²
I_x	0.72	cm ⁴
W_x	0.74	cm ³
W_y	0.70	cm ³
Weight	450	g/m

Code No. Profile F-GG 20x20			Anodised
E08000BBA	Cut to size	max. 3000 mm	Clear
E08000BBC	Bar	3000 mm	Clear

Connection	To slot geometry	Flange bracket kit	Code No.
 Short	20	F-GG 20x20	E07007AAE
	30	Adapter	E07009AA
	40	Adapter	E07012AAE

Special profiles M-BLOCAN® / size 20

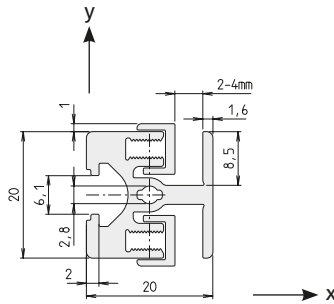
Clamping profile KL 20x20



Area	182.90 mm ²
I_x	0.70 cm ⁴
I_y	0.74 cm ⁴
W_x	0.79 cm ³
W_y	0.80 cm ³
Weight	493 g/m

Code No. Profile KL 20x20			Anodised
E04000BBB	Cut to size	max. 3000 mm	Clear
E04000BBD	Bar	3000 mm	Clear
Code No. Corner joint		Type	
E04036BHE		KL 20x20	

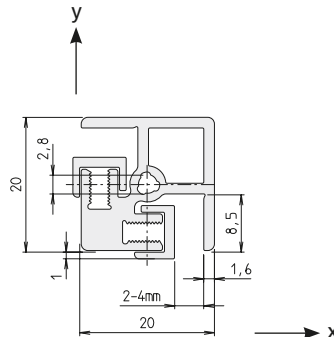
Clamping profile KLD 20x20



Area	185.50 mm ²
I_x	0.69 cm ⁴
I_y	0.71 cm ⁴
W_x	0.69 cm ³
W_y	0.79 cm ³
Weight	500 g/m

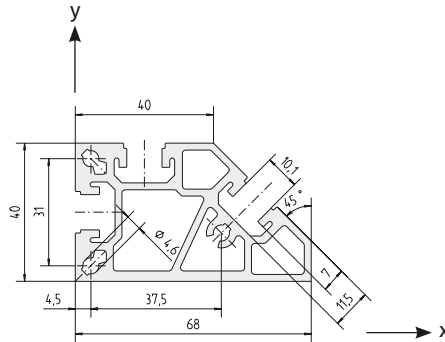
Code No. Profile KLD 20x20			Anodised
E05000BBB	Cut to size	max. 3000 mm	Clear
E05000BBD	Bar	3000 mm	Clear
Code No. Corner joint		Type	
E00041BHE		KLK 20x20	

Clamping profile KLE 20x20



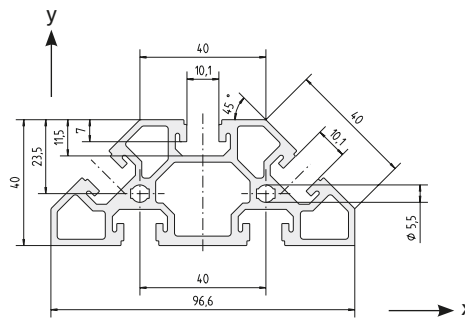
Area	170.90 mm ²
I_x	0.67 cm ⁴
I_y	0.67 cm ⁴
W_x	0.64 cm ³
W_y	0.71 cm ³
Weight	462 g/m

Code No. Profile KLE 20x20			Anodised
E09000BBB	Cut to size	max. 3000 mm	Clear
E09000BBD	Bar	3000 mm	Clear
Code No. Corner joint		Type	
E09035BHE		KLE 20x20	

Special profiles / size 40
2x40


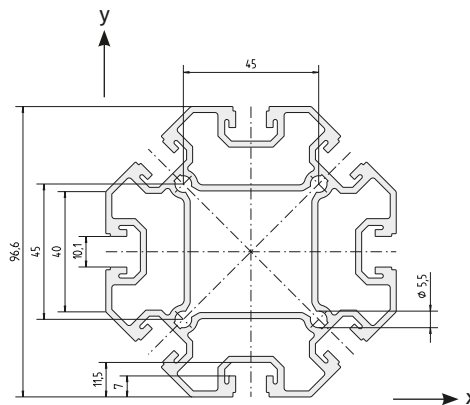
Area	838	mm ²
I_x	14.2	cm ⁴
I_y	32.8	cm ⁴
W_x	7.9	cm ³
W_y	11.3	cm ³
Weight	2262	g/m

Code No. Profile 2x40			Anodised
4155000	Cut to size	max. 6000 mm	Clear
4155001	Bar	6000 mm	Clear

3x40


Area	1019	mm ²
I_x	14.8	cm ⁴
I_y	68.2	cm ⁴
W_x	8.8	cm ³
W_y	14.1	cm ³
Weight	2751	g/m

Code No. Profile 3x40			Anodised
4255000	Cut to size	max. 6000 mm	Clear
4255001	Bar	6000 mm	Clear

8x40


Area	1700	mm ²
I_x	133.4	cm ⁴
I_y	133.4	cm ⁴
W_x	27.6	cm ³
W_y	27.6	cm ³
Weight	4590	g/m

Code No. Profile 8x40			Anodised
4055000	Cut to size	max. 6000 mm	Clear
4055001	Bar	6000 mm	Clear

Right-angle connections

Versions

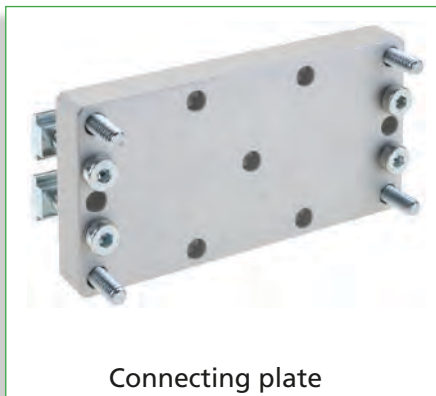
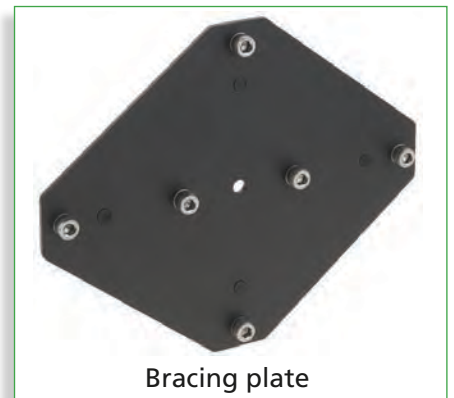


Table of contents

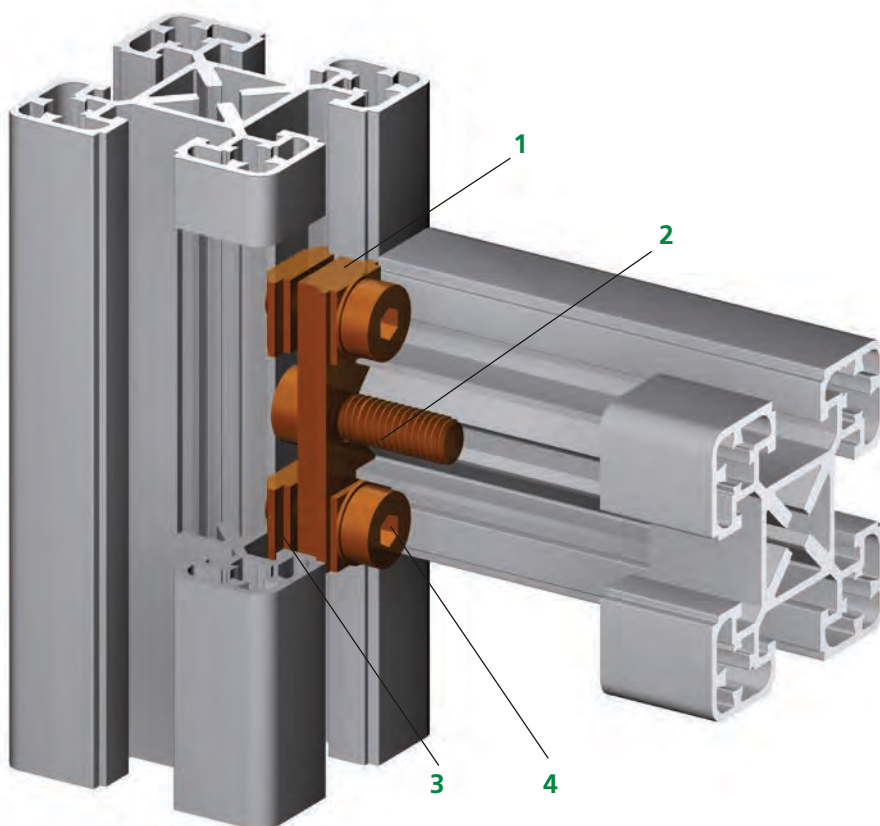
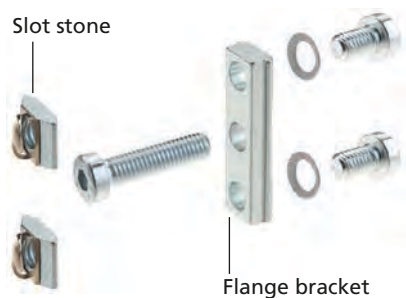
Connection techniques

Right-angle connections	■ Flange bracket connection p. 210
	■ Flange brackets p. 212
	■ Slot stone -L/E- p. 214
	■ Hidden screw set -B- p. 214
	■ Compatibility connector p. 215
	■ Bracing plate p. 216
	■ Connecting plate p. 217
	■ Profile angle bracket p. 218
	■ Angle brackets -cast- p. 220
	■ Angle brackets -sheet steel- p. 224
	■ Corner clamp WV p. 225
	■ Corner joint p. 226

Right-angle connections

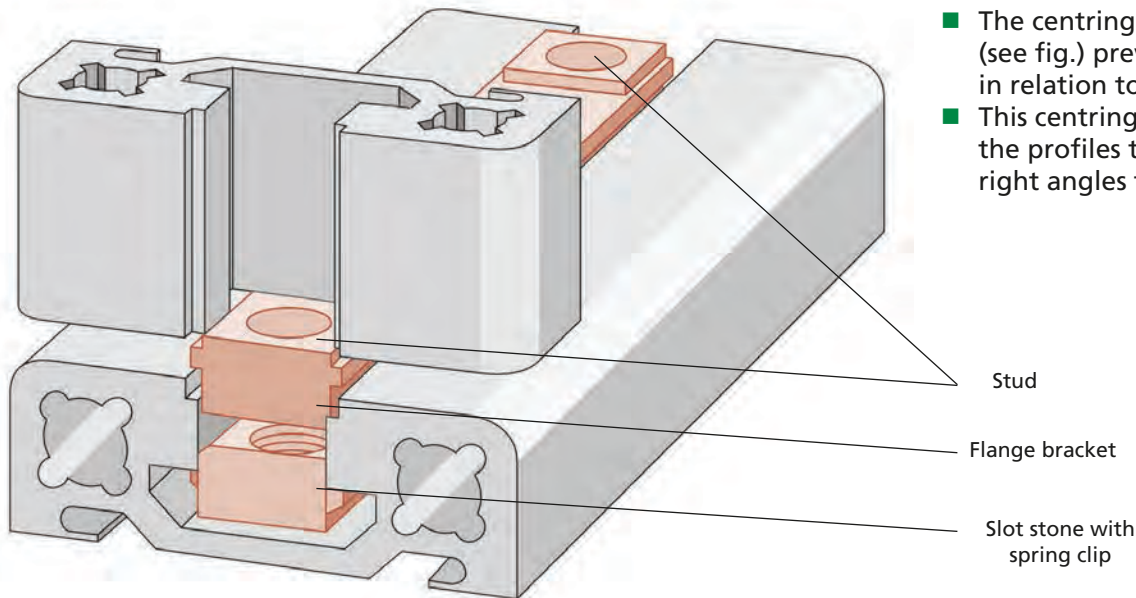
Flange bracket connection

- The flange bracket is the simplest and most cost-efficient method of connecting profiles.
- No additional machining necessary
- Direct fixing in the profile screw channels
- Direct insertion of RK expansion screws or standard DIN socket head cap screws
- Very stable
- Only a list of profile cut lengths is required
- Minimal effort required in construction
- Can be disconnected at any time



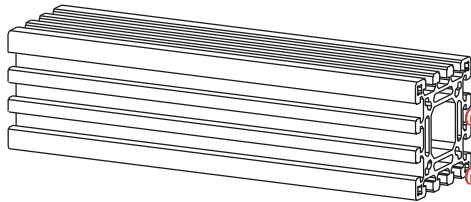
1. Flange bracket
2. Socket head cap screw/RK expansion screw
3. Slot stone with spring clip
4. Socket head cap screw

Position diagram

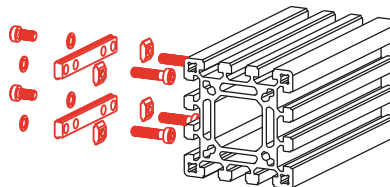


- The centring action of the studs (see fig.) prevent profile torsion in relation to one another
- This centring effect also allows the profiles to be assembled at right angles to each other.

Profile 1



Profile 2

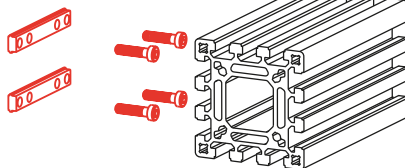
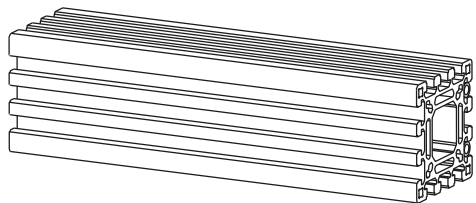


Step 1

Insert flange bracket (studs engage in profile slots) into profile 1 and fix with hexagon socket screws

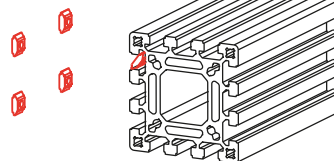
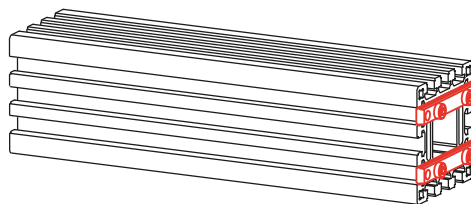
Self-centred by studs

Cutting oil and using a drill make it easier to insert the screws.



Step 2

Slide/insert the slot stones with spring clip into profile 2 and slide them into the correct position.



Step 3

Put the two profiles together and connect the flange bracket to the slot stones with spring clip.

Right-angle connections

Flange brackets

- For static loads
- Suitable for slow dynamic loads with special RK expansion screw
- Optionally, the F slot stones can be replaced by longer slot stones with hole. This reduces the surface pressure



Flange bracket "extra long" (EL) for larger profile cross-sections



Flange slot stone -N- (N)



Code No.	Type	To slot geom.	For profile (quantity required per connection)
4386704	15	30	15x40 (2), 15x60 (2), 15x80 (2), 15x120 (2), 15x160 (2)
4386705	15	40	15x40 (2), 15x60 (2), 15x80 (2), 15x120 (2), 15x160 (2)
4306709	30	30	F-G 30x30 (1x), F-2G 30x30 (1x)
4306710	30	40	F-G 30x30 (1x), F-2G 30x30 (1x)
4106702	30 (K)	30	F-G 30x30 (1x) F-GG 30x30 (1x), F-3G 30x30 (1x), F-R 30 (1x)
4106703	30 (K)	40	F-G 30x30 (1x), F-GG 30x30 (1x), F-3G 30x30 (1x)
4816703	40	30	F-G 40x40 (1x), F-2G 40x40 (1x)
4816702	40	40	F-G 40x40 (1x), F-2G 40x40 (1x)
4566700	40 (K)	30	F-G 40x40 (1x), F-GG 40x40 (1x), F-3G 40x40 (1x)
4566701	40 (K)	40	F-G 40x40 (1x), F-GG 40x40 (1x), F-3G 40x40 (1x)
4546700	40 (N)	40	F-G 40x40 (1x), F-G 40x80 (1x), F-GG 40x40 (1x), F-3G 40x40 (1x), F-GG 40x80 (2x)
4086706	50	30	F-G 50x50 (1x), F-2G 50x50 (1x),
4086702	50	40	F-G 50x50 (1x), F-2G 50x50 (1x),
4A66700	50 (N)	40	F-G 50x50 (1x), F-GG50x50 (1x), F-3G 50x50 (1x)
4226706	60	30	F-G 60x60 (1x), F-2G 60x60 (1x)
4226702	60	40	F-G 60x60 (1x), F-2G 60x60 (1x)
4A26700	60 (N)	40	F-G 60x60 (1x), F-2G 60x60 (1x), F-3G 60x60 (1x)
4316706	80	30	F-GG 40x80 (1x), F-G 40x80 (1x), F-G 80x80 , F-2G 80x80 (2x)
4246702	80	40	F-GG 40x80 (1x), F-G 40x80 (1x), F-G 80x80, F-2G 80x80 (2x)
4586702	80 (EL)	40	F-GG 40x80 (1x), F-G 80x80 (2x), F-GG 80x80 (2x), F-3G 80x120-A (2x)
4586703	80 (N)	40	F-G 80x80 (2x), F-GG 80x80 (2x)
4966700	120 (A)	40	F-3G 80x120-A (2x)

- Flange bracket for dynamic loads (For RK expansion screw, please see page 253)



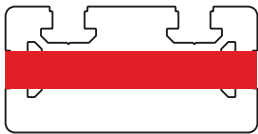
Code No.	Type	To slot geom.	For profile (quantity required per connection)
4246700	80	40	F-G 80x80 (2x)

Order information

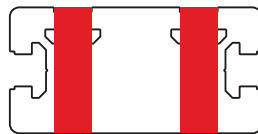
Each Code No. includes one flange bracket and fastenings.

Depending on the orientation of the connection (longitudinal or transverse), the appropriate number of flange brackets must be ordered.

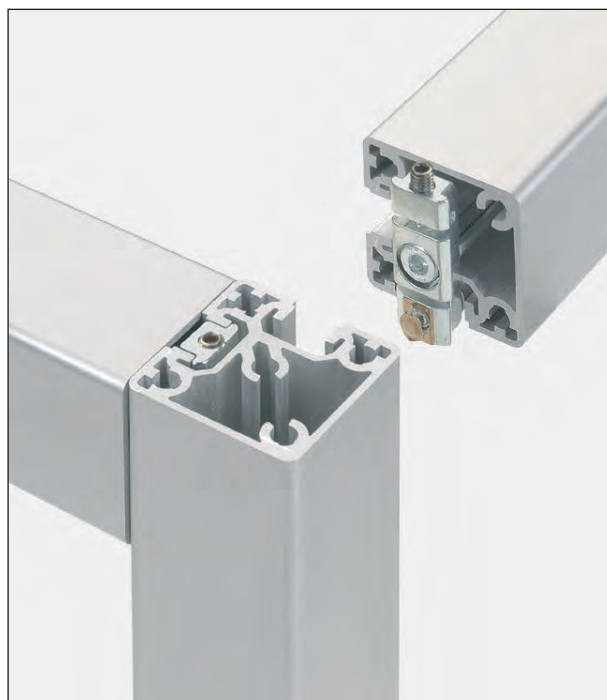
Required number of flange brackets to fully assemble two profiles.



F-G 40x80 profile
Connection -long.-
(to 40 slot geometry) 1x
Code No. 4246702

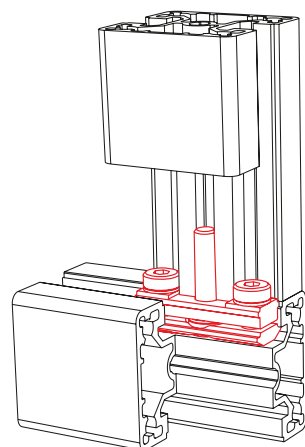
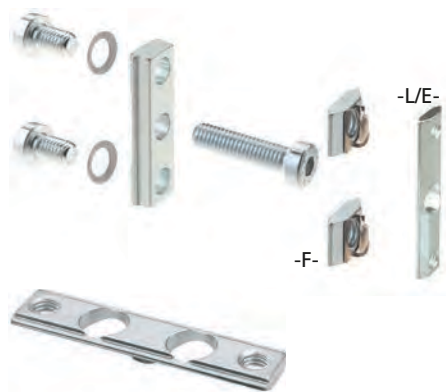


F-G 40x80 profile
Connection -transverse-
(to 40 slot geometry) 2x
Code No. 4816702



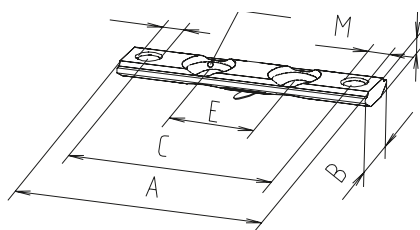
Right-angle connections

Slot stone -L/E- II (with hole)



- The greater supporting surface reduces the surface pressure
- In the flange bracket sets, the standard -F- slot stones can be replaced by -L/LE- slot stones with hole.

Material: Galvanised steel



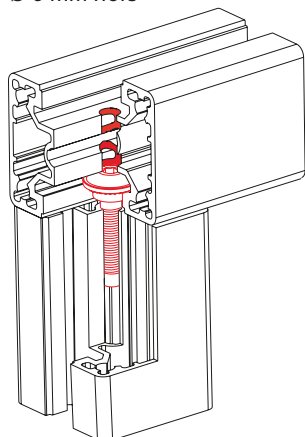
Only have one hole:
Slot stones -L- II types M5 / 29, M6 / 38
Slot stone -E- II type M6 / 38

Code No.	Type	Slot geo.	A	B	C	D	E	F	M
Slot stone -L- II									
4006207	M5 / 29	30	29	12	21.5	4	0	8.5	M5
4016206	M6 / 38	40	38	14	28	4	0	10.2	M6
4016207	M6 / 48	40	48	14	38	4	15.5	10.2	M6
4016208	M6 / 58	40	58	14	48	4	20	10.2	M6
4046206	M6 / 78	40	78	14	68	4	40	10.2	M6
Slot stone -E- II (slide-in)									
4006224	M6 / 38	40	38	16.5	28	3.8	0	10.2	M6
4006239	M6 / 58	40	58	16.5	48	3.8	15.5	10.2	M6
4006240	M6 / 78	40	78	16.5	68	3.8	40	10.2	M6

Hidden screw set -B- (shoulder screw)



Ø 6 mm hole

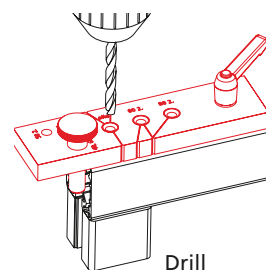


- Cost-effective connection technique for profiles with 30 and 40 slot geometry.
- Self-tapping – Threading not required

Material: Galvanised steel

Assembly:

1. Drill a 6 mm hole (e.g. with RK drilling fixture) at the required position in the crossing profile.
2. Insert the hidden screw into the profile slot as far as the hole.
3. Insert T-handle key through the hole and into the shoulder screw and screw the two profiles to one another.



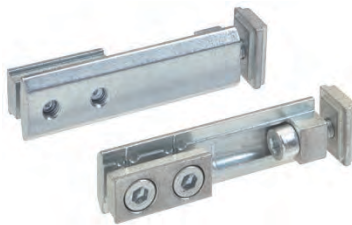
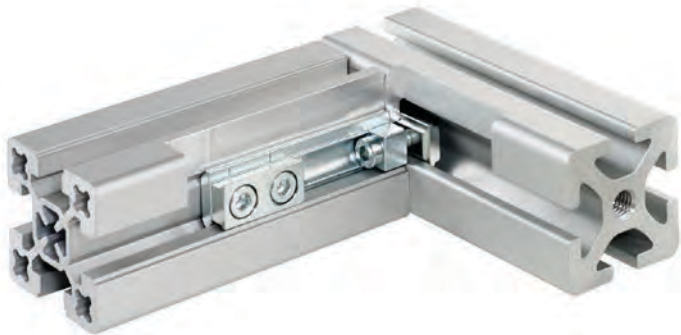
Code No.	Type	Type
4006192	F-30x30	Hidden screw -B- M5x25, set of 10
4006193	F-30x30	Hidden screw -B- M5x25, set of 100
4006190	F-40x40	Hidden screw -B- M6x30, set of 10
4006191	F-40x40	Hidden screw -B- M6x30, set of 100
4016516		Drilling fixture for hidden screw -B-



Compatibility connector 40

- The compatibility connector allows BLOCAN® profiles to be connected to aluminium profiles of other manufacturers.

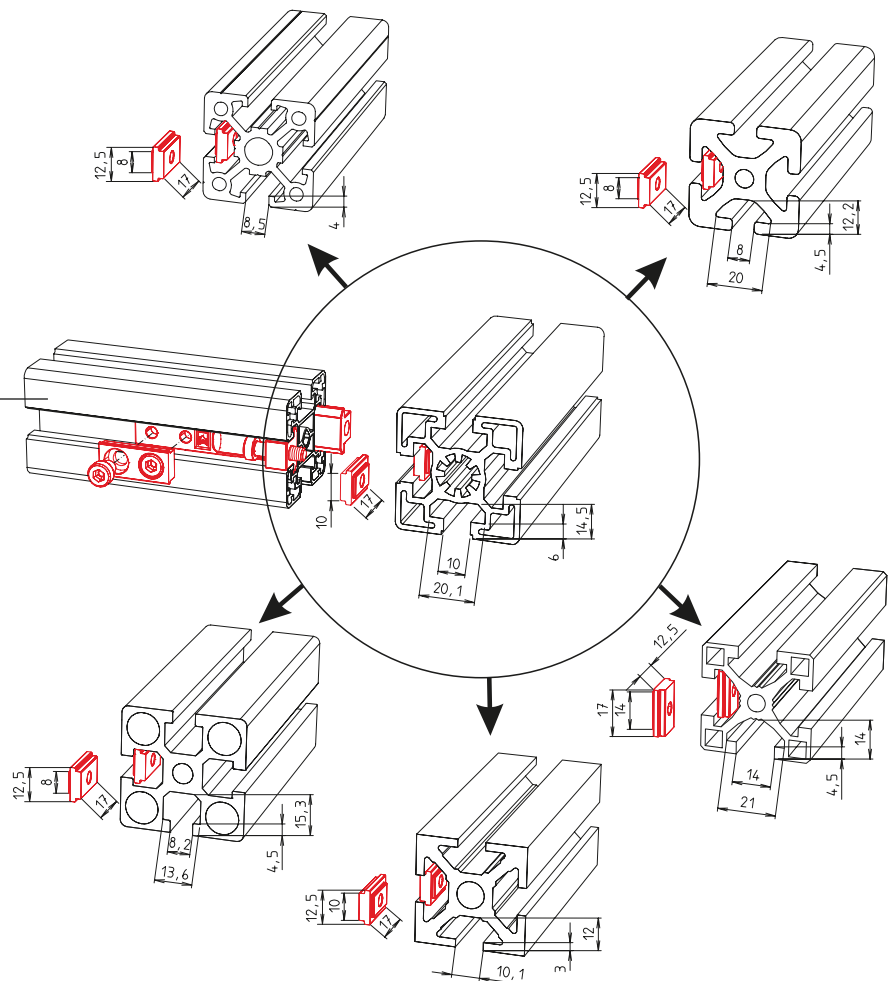
Material: Galvanised steel
Includes:
 2 connectors with fastenings



Code No.	Type	Suitable for slot widths
4016581	Compatibility connector 40	8, 10, 14 mm

Position diagram

RK profile, 40 slot geometry



Right-angle connections

Bracing plates

Features:

- Superficial bracing of the three most important junctions L, T, X

Panels and wire mesh do not need to be notched, as is usually the case with angle brackets.

Material:

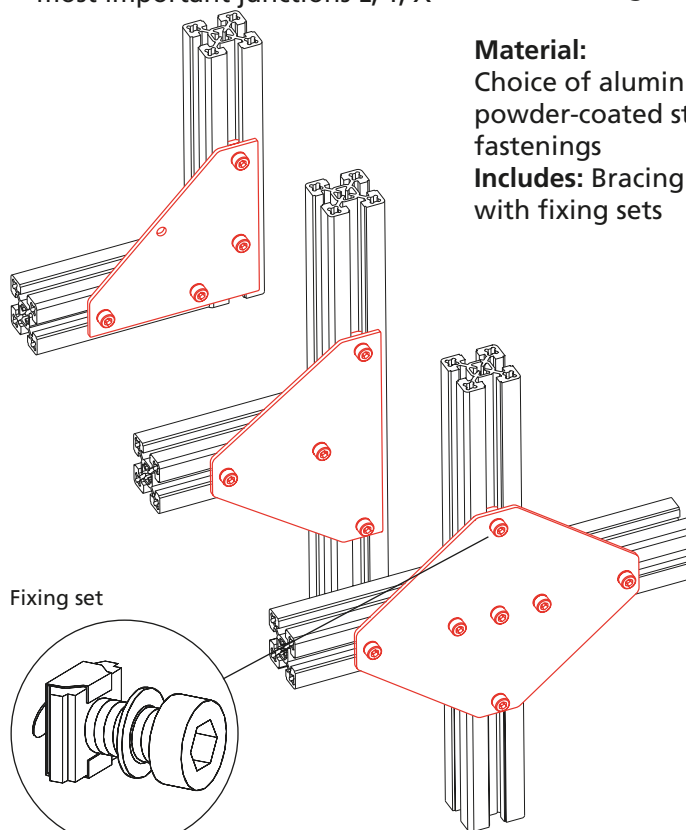
Choice of aluminium or black powder-coated steel, galvanised fastenings

Includes: Bracing plate complete with fixing sets

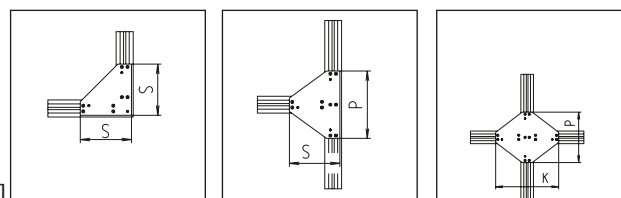
Aluminium



Steel



Fixing set

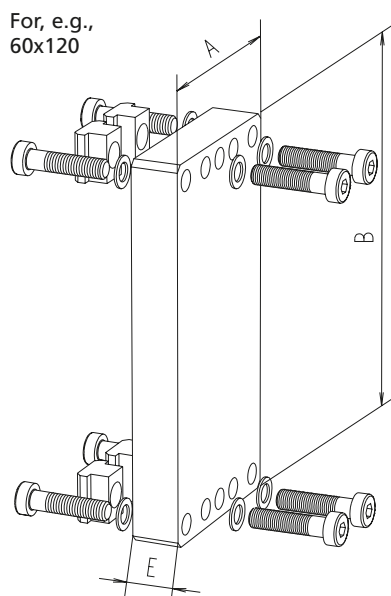


Code No.	Type	Material	Wall thickness	L	T	X
Version						
40021	30x30	St	3 mm	S = 90	S = 90 / P = 120	P = 120 / K = 150
40051	30x30	Al	6 mm	S = 90	S = 90 / P = 120	P = 120 / K = 150
40121	40x40, 40x40-L	St	3 mm	S = 120	S = 120 / P = 160	P = 160 / K = 200
40151	40x40, 40x40-L	Al	6 mm	S = 120	S = 120 / P = 160	P = 160 / K = 200
40821	F-50x50, F-50x50-L	St	4 mm	S = 150	S = 150 / P = 200	P = 200 / K = 250
40851	F-50x50, F-50x50-L	Al	8 mm	S = 150	S = 150 / P = 200	P = 200 / K = 250
42221	F-60x60-L, F-60x60/1	St	4 mm	S = 180	S = 180 / P = 240	P = 240 / K = 300
42251	F-60x60-L, F-60x60/1	Al	8 mm	S = 180	S = 180 / P = 240	P = 240 / K = 300
41221	60x60	St	4 mm	S = 180	S = 180 / P = 240	P = 240 / K = 300
41251	60x60	Al	8 mm	S = 180	S = 180 / P = 240	P = 240 / K = 300
40421	80x80, F-80x80/2-L	St	4 mm	S = 240	S = 240 / P = 320	P = 320 / K = 400
40451	80x80, F-80x80/2-L	Al	8 mm	S = 240	S = 240 / P = 320	P = 320 / K = 400
42421	F-80x80-L	St	4 mm	S = 240	S = 240 / P = 320	P = 320 / K = 400
42451	F-80x80-L	Al	8 mm	S = 240	S = 240 / P = 320	P = 320 / K = 400
40621	F-60x120	St	4 mm	S = 360	S = 360 / P = 480	P = 480 / K = 600
40651	F-60x120	Al	10 mm	S = 360	S = 360 / P = 480	P = 480 / K = 600
40721	F-80x160	St	4 mm	S = 480	S = 480 / P = 640	P = 640 / K = 800
40751	F-80x160	Al	10 mm	S = 480	S = 480 / P = 640	P = 640 / K = 800

Connecting plate



Slot stone -N-

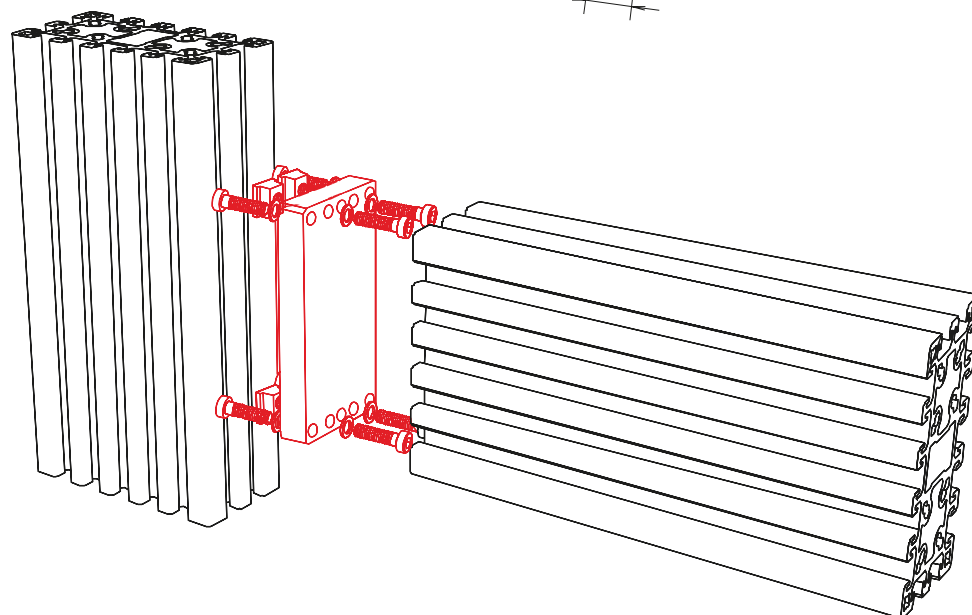


For, e.g.,
60x120

- The connecting plates allow profiles to be fixed in the profile slots at the sides.

Material: Aluminium, galvanised steel fastenings

Includes: Connecting plate complete with accessories



Code No.	Type	A	B	E
Connecting plate connection – face-to-slot				
4645411	F-40x120	40	120	15
4655411	F-40x160	40	160	15
4085412	F-50x50, F-50x50-L, F-G/2G 50x50	50	50	15
4665411	F-50x100	50	100	15
4675411	F-50x200	50	200	15
4225412	F-60x60-L, F-60x60/1, F-G/2G 60x60	60	60	15
4125412	F-60x60	60	60	15
4065411	F-60x120	60	120	15
4035412	F-40x80, F-40x80/3	40	80	15
4045412	F-80x80, F-G/2G 80x80	80	80	15
4245412	F-80x80-L	80	80	15
4685411	F-80x120	80	120	15
4075411	F-80x160	80	160	15
4695411	F-100x100	100	100	15

Right-angle connections

Profile angle bracket Bar material

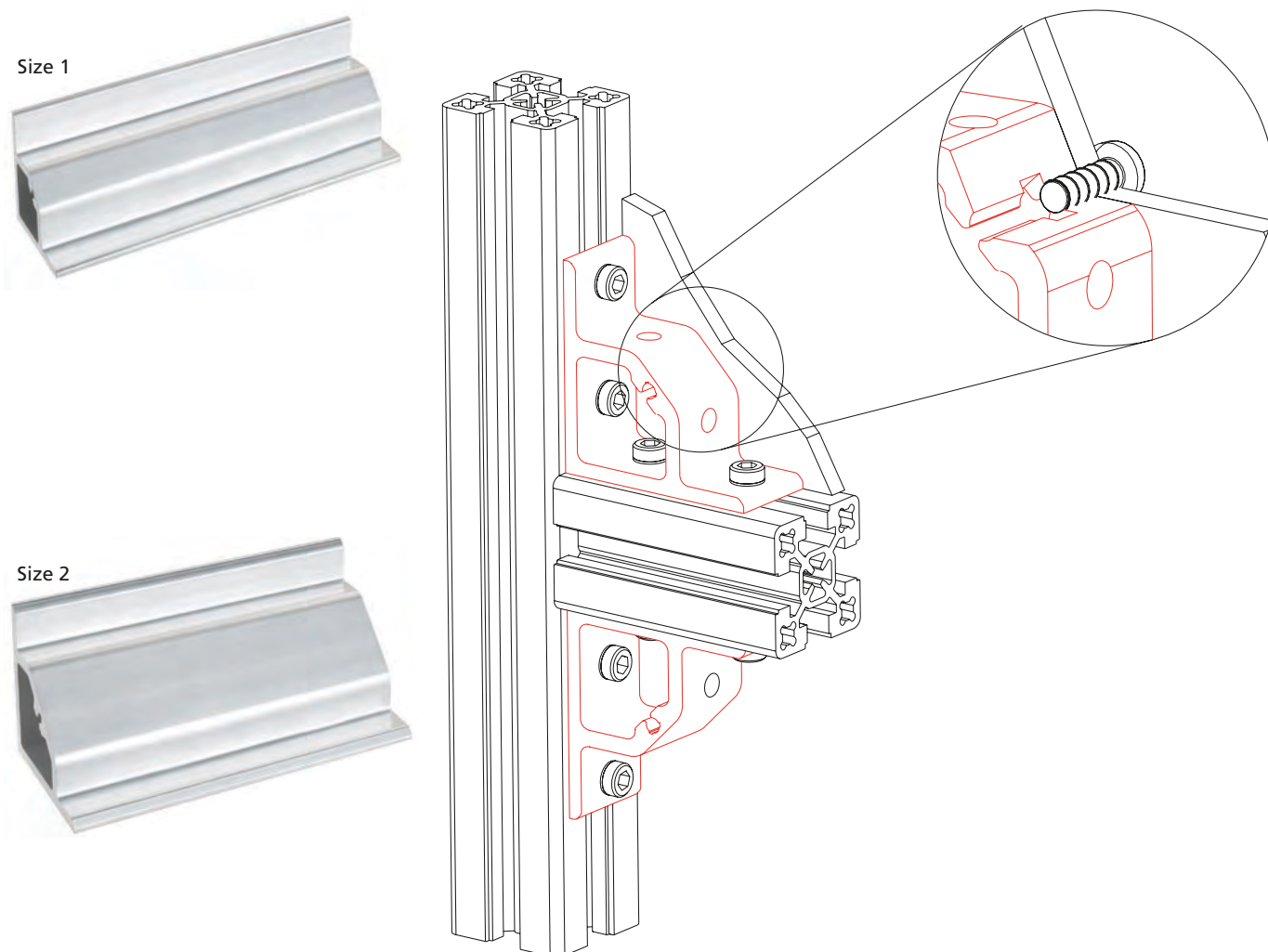
- Made from aluminium extruded profiles.
- With integrated screw channel for fastening panels.

Material: Aluminium.
Non-anodised bar
Angle tolerance $90^{\circ} \pm 5'$.

Fixing sets:
The angle brackets can be screwed to the profile with the fixing sets.

Further slot stone versions can be found on page 244

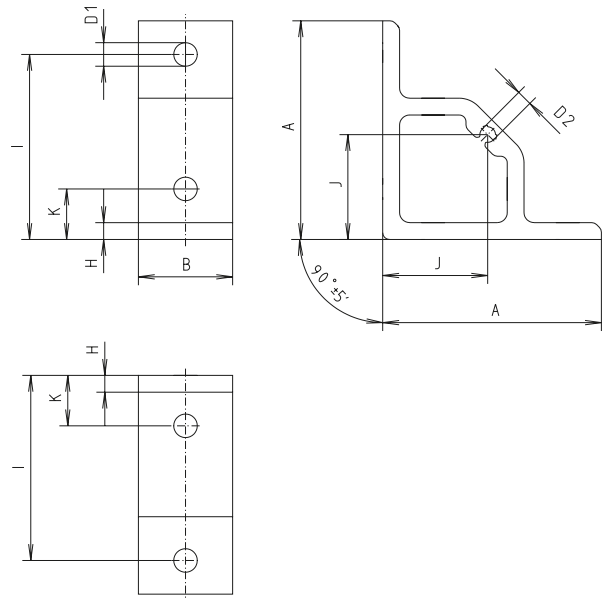
Includes:
1 screw with washer and slot stone.



For dimension table, please see opposite page

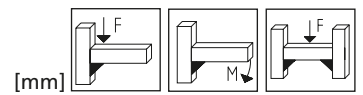
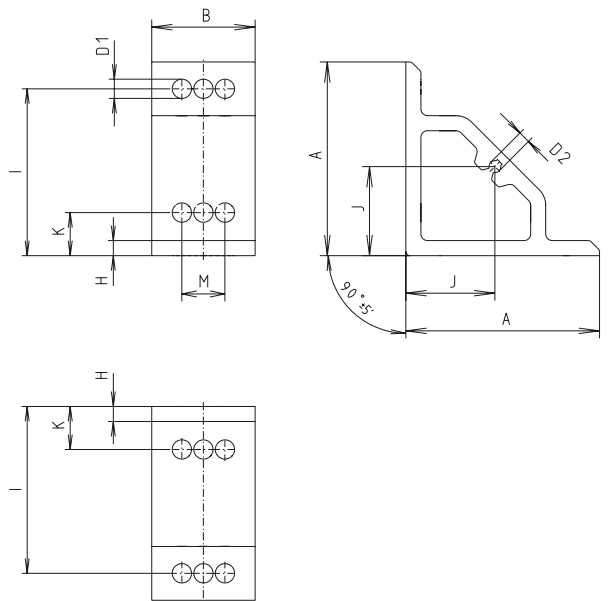
Code No.				
4010102	Size 1	Cut to required length	max. 3000 mm	Non-anodised
4010103		Bar	3000 mm	Non-anodised
4030102	Size 2	Cut to required length	max. 3000 mm	Non-anodised
4030103		Bar	3000 mm	Non-anodised

Profile angle bracket, size 1



Profile angle bracket, size 2

Figure shows type 40



Code No.	Type	Version	A	B	D1	D2	H	I	J	K	M	F [N]	M [Nm]	F [N]
4015101	40	Size 1	64.15	28	7	4.65	4.15	55	30.3	20	–	2500	25	5200
4085101	50	Size 1	64.15	38	7	4.65	4.15	55	30.3	15	–	2500	25	5200
4035101	40	Size 2	89.3	28	9	5.55	6.3	77.5	40.65	20	–	2500	25	5200
4125101	60	Size 2	89.3	48	9	5.55	6.3	77.5	40.65	20	20	5670	150	11550
4145101	80	Size 2	89.3	68	9	5.55	6.3	77.5	40.65	20	40	5670	150	11550

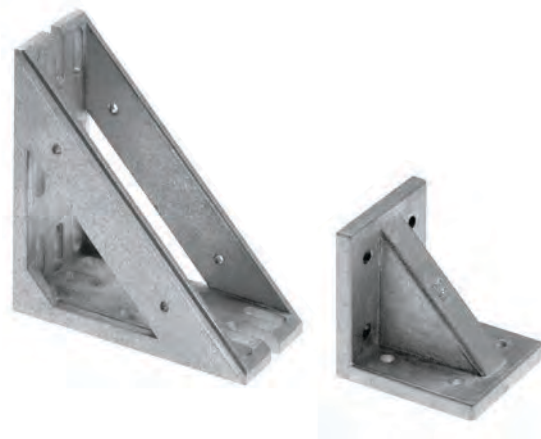
Code No.	Size	Version	Code No.	Size	Version	Code No.	Size	Version
Fixing sets (1 slot stone with screw, washer)								
4015105	1	M6x16, slot stone -N-	4015106	1	M6x16, slot stone -K-	4015107	1	M6x16, slot stone -R-
4035110	2	M8x18, slot stone -N-	4035111	2	M8x18, slot stone -K-	4035112	2	M8x18, slot stone -R-

Right-angle connections

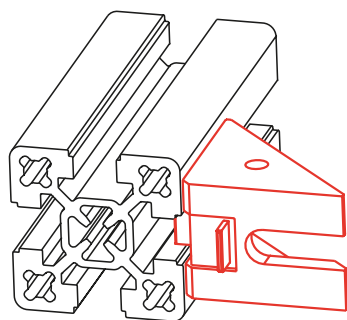
Angle bracket -cast-

- A centring rib simplifies assembly and prevents angle bracket torsion. If necessary, this rib can be bent with a pliers.
- Angle tolerance $90^{\circ} \pm 5'$.

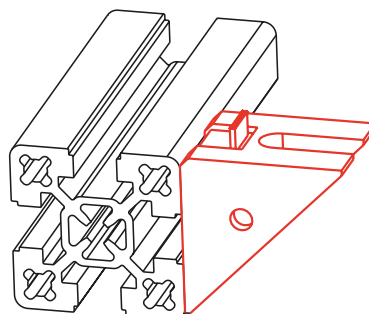
Material: Gravity die-cast aluminium



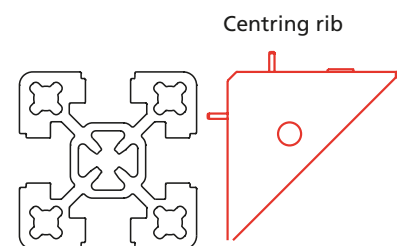
Material: Die-cast zinc



Angle bracket along the profile
Angle bracket is centred in the profile slot and prevents torsion.



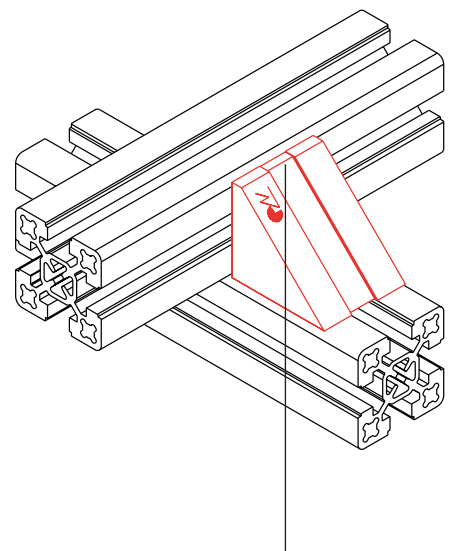
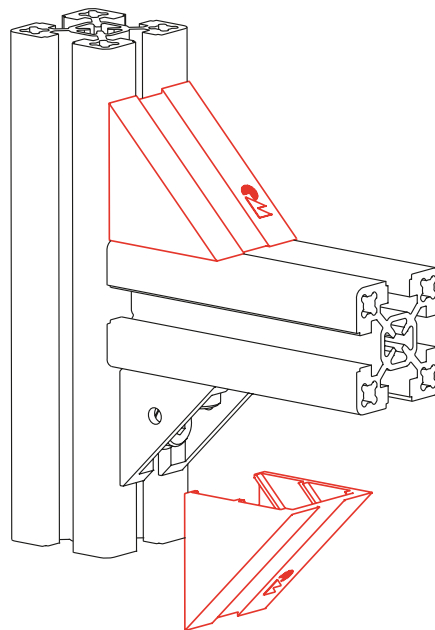
Angle bracket perpendicular to the profile
Centring rib must be bent



Plastic cover for angle brackets

- For aesthetic effect or to protect against soiling, plastic covers may be placed on the angle brackets.

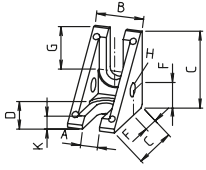
Material:
Black plastic



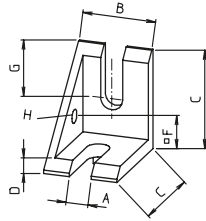
One side with chamfer for crossing connection with one angle bracket 40x40-2

Code No.	Type
4008101	For angle bracket 30x30 (2 braces)
4018102	For angle bracket 40x40 (2 braces)
4018103	For angle bracket 40x40 (2 braces) with chamfer for crossing connection
4028101	For angle bracket 50/60

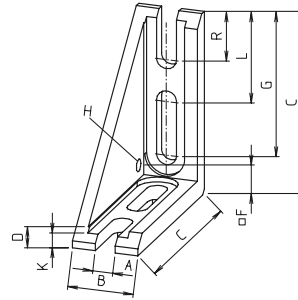
Right-angle connections



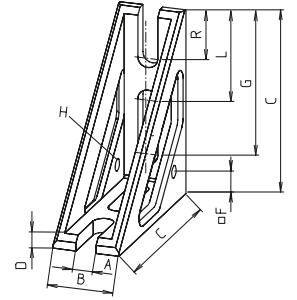
Angle brackets 30 + 40
Die-cast zinc



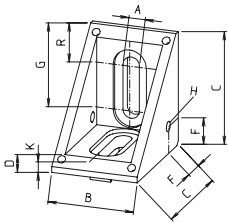
Angle bracket 40-1
Die-cast zinc



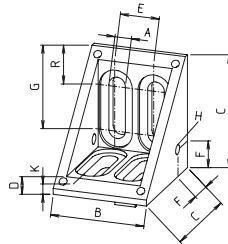
Angle bracket 40x80-1
Die-cast zinc



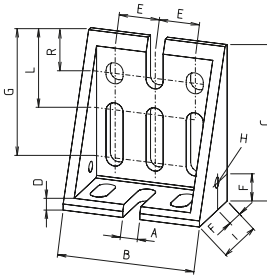
Angle bracket 40x80
Gravity die-cast aluminium



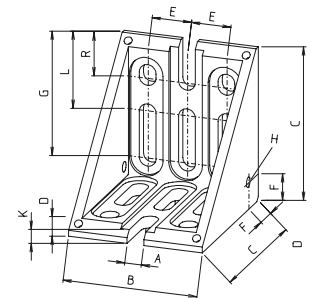
Angle bracket 50/60
Die-cast zinc



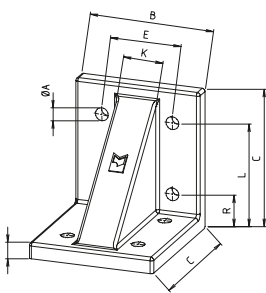
Angle bracket F-60x60
Die-cast zinc



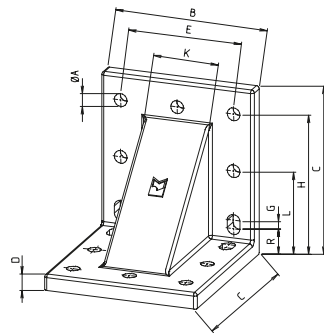
Angle bracket 80x40x80
Gravity die-cast aluminium



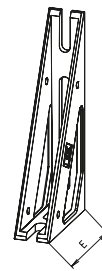
Angle bracket 80
Die-cast zinc



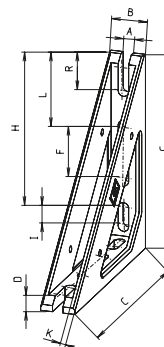
Angle bracket 100
Gravity die-cast aluminium



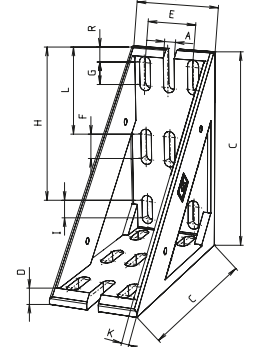
Angle brackets 120 + 160
Gravity die-cast aluminium



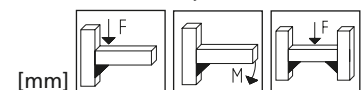
Angle bracket 40x80x160
Gravity die-cast aluminium



Angle bracket 40x160
Gravity die-cast aluminium



Angle bracket 80x160
Gravity die-cast aluminium



Code No.	Type	Version	A	B	C	D	E	F	G	H	I	O	L	R	F [N]	M [Nm]	F [N]
Cast angle bracket																	
4004101	30	2 braces	6.5	18	29	5	-	10	15	5.2	-	4	-	-	1100	20	2600
4014101	40-1	1 brace	8.4	28	38	5	-	14	19	5.2	-	-	-	-	2200	45	4000
4014102	40	2 braces	8.4	28	38	5	-	14	19	5.2	-	-	-	-	2200	60	4000
4024101	50/60	2 braces	8.5	44	58	8	-	14	41	5.2	-	6	-	18	4500	280	8000
4124101	F-60x60	2 braces	8.5	48	58	8	20	14	40	5.2	-	6	-	17	4500	280	8000
4044102	80x40x80	2 braces	8.5	68	78	6	20	14	61	5.2	38	-	38	19	3000/4300	180/200	4000/14700
4044101	80	2 braces	8.5	68	78	8	20	14	61	5.2	-	6	38	20	9200	550	14700
4034101	40x80-1	1 brace	8.5	28	78	8	-	14	61	5.2	-	6	38	20	3700	180	6500
4034100	40x80	2 braces	8.5	28	78	6	-	14	61	5.2	-	-	38	20	1300	180	4600
4695100	100	-	9	88	98	11	50	-	-	-	-	28	75	25	8800	700	13200
4165100	120	-	9	108	118	11	80	-	5	100	-	46	60	20	14500	1200	21750
4014100	40x80x160	2 braces	8.5	28	158	6	78	45	-	123	15	4	56	28	1600/2500	180	-
4654100	40x160	2 braces	8.5	28	158	11	-	45	-	123	15	4	56	28	2500	250	-
4444100	160	-	9	148	158	11	120	-	5	140	-	78	80	20	16800	1700	25200
4074100	80x160	2 braces	9	68	158	11	40	20	18	95	15	5.5	70	12	12800	1500	19200

Fixing sets

Fixing sets:

The angle brackets can be screwed to the profile with the fixing sets.

Material: Galvanised steel

Further slot stone versions can be found on page 244 - 252

Includes:

1 screw with washer and slot stone.



Fixing set with slot stone -N-
(Slot stone is slid into the slot from the side)



Fixing set with slot stone -K-
(Slot stone can be inserted edge-first into the slot retrospectively)



Fixing set with slot stone -R-
(Slot stone can be inserted into the slot retrospectively and twisted into position)

Code No.	Type	Version
Fixing sets		
4004110	30	M6x12, slot stone -N-
4026208	40	M8x16, slot stone -N-
4026202	50-80 + 40x80x160	M8x18, slot stone -N-
4694110	100-160 (except 40x80x160)	M8x22, slot stone -N-
4004111	30	M6x12, slot stone -K-
4014111	40	M8x16, slot stone -K-
4024111	50-80 + 40x80x160	M8x18, slot stone -K-
4694111	100-160 (except 40x80x160)	M8x22, slot stone -K-
4004112	30	M6x12, slot stone -R-
4026209	40	M8x16, slot stone -R-
4026210	50-80 + 40x80x160	M8x18, slot stone -R-
4694112	100-160 (except 40x80x160)	M8x22, slot stone -R-

Right-angle connections

Angle bracket -sheet steel-

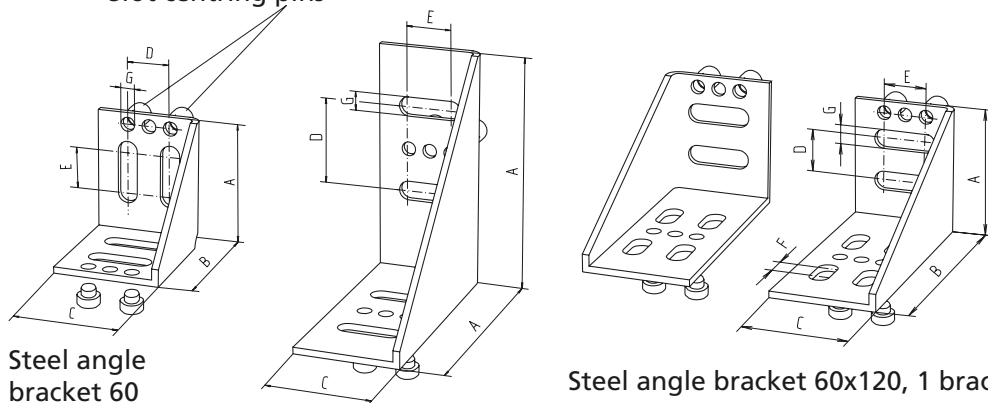


Steel angle bracket: St 37, 3 mm thick

Material:
Black powder-coated steel

Includes:
Complete with slot centring pins

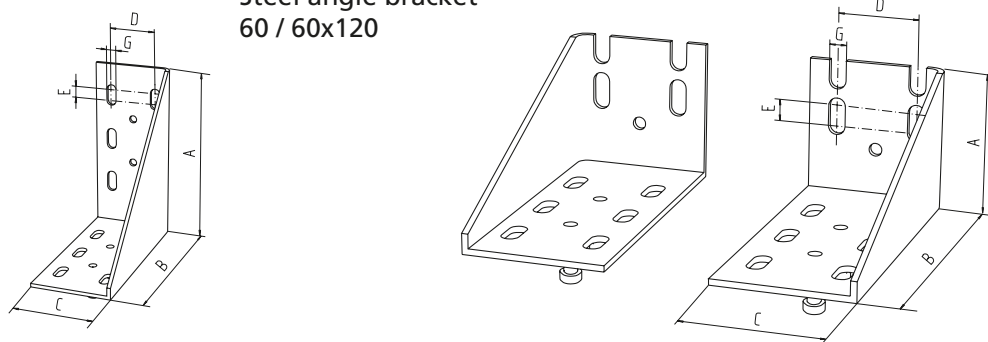
Slot centring pins



Steel angle bracket 60

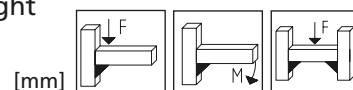
Steel angle bracket 60x120, 1 brace left or right

Steel angle bracket 60 / 60x120



Steel angle bracket 80 / 80x160

Steel angle bracket 60x160, 1 brace left or right



Code No.	Type	Version	A	B	C	D	E	F	G	H	R	F [N]	M [Nm]	F [N]
Steel angle bracket -3 mm sheet steel-														
4120101	60	1 brace	58	58	48	20	20	-	9	-	-	2100	100	-
4060101	60/60x120	1 brace	108	108	48	20	20	-	9	-	-	2600	210	-
4060102	60x120	1 brace right	58	108	48	40	20	10	9	-	-	2600	130	-
4060103	60x120	1 brace left	58	108	48	40	20	10	9	-	-	2600	130	-
4070101	80/80x160	1 brace	148	148	68	40	10	-	9	-	-	8320	450	-
4070102	80x160	1 brace right	68	148	68	40	10	-	9	-	-	4200	250	-
4070103	80x160	1 brace left	68	148	68	40	10	-	9	-	-	4200	250	-

Fixing sets

Fixing sets:

The angle brackets can be screwed to the profile with the fixing sets.

Includes: 1 screw with washer and slot stone.

Material:

 Galvanised steel

Further slot stone versions can be found on page 244 - 252



Fixing set with slot stone -N- (slot stone is slid into the slot from the side)



Fixing set with slot stone -K- (slot stone can be inserted edge-first into the slot retrospectively)

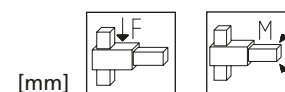
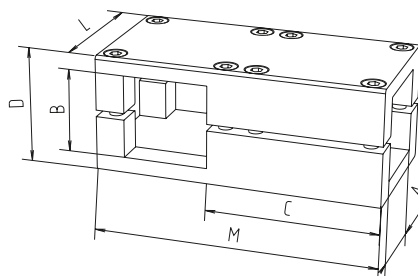


Fixing set with slot stone -R- (slot stone can be inserted into the slot retrospectively and twisted into position)

Code No.	Type	Version
Fixing sets		
4120110	All	M8x14, slot stone -N-
4120111	All	M8x14, slot stone -K-
4120112	All	M8x14, slot stone -R-

Corner clamp WV

Material: Aluminium. Fixing VA. For further clamping elements, please refer to the catalogue "Connecting Technology"



Code No.	Type	Version	A	B	C	D	L	M	F [N]	M [Nm]
513000050300	WV 30	30.2	30.2	30.2	69	42	56	112	2500	330
514000050300	WV 40	40.3	40.3	40.3	82	56	68	136	3200	980
515000050300	WV 50	50.4	50.4	50.4	102	70	85	170	-	-
516000050300	WV 60	60.4	60.4	60.4	127	79	105	210	-	-

Right-angle connections

Corner joint

- Connection element for right-angle connections for clamping and inserting profiles
- The fixing screws are inserted directly into the profile. Centring pins prevent profile torsion

- With versions KL/KLE, the screw holes can optionally be sealed with a plastic cap

Material:

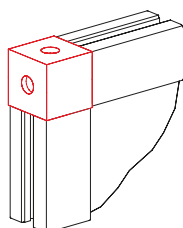
Die-cast zinc, gravity die-cast aluminium (see table)

Includes:

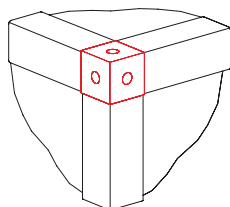
Includes all parts required to fully assemble one corner joint



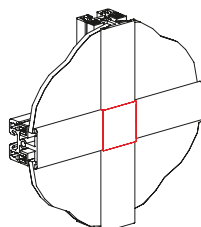
Version KL



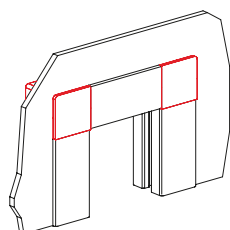
Version KLE



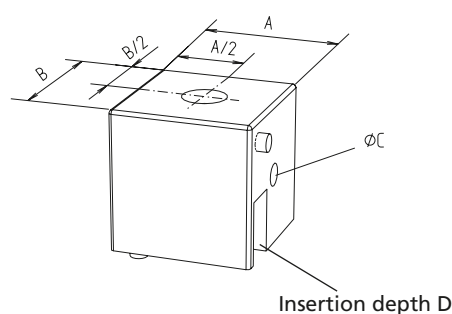
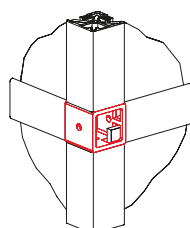
Version KLK



Version KLA



Version KLV



[mm]

Code No.	Type	For profile	A	B	C	D
Die-cast zinc						
4202406	KL 30	KL,ESP,ESP-2, F-/G/GG/2G/3G	30	30	5.4	13
4212406	KL 40		40	40	6.4	18
4702406	KLE 30	KLE,F-/G/GG, 2G/3G	30	30	5.4	13
4712406	KLE 40		40	40	6.4	18
4202409	KLA 30	KL,ESP,ESP-2	30	30	5.4	13
4212409	KLA 40		40	40	6.4	18
Gravity die-cast aluminium						
4202408	KLK 30	KLD	30	30	5.4	13
4212408	KLK 40	KLD	40	40	6.4	18
4202407	KLV 30	KLE, KLD	30	30	5.4	13
4212407	KLV 40		40	40	6.4	18
Stopper (black)						
4018597	KL/KLE 30	Pack of 100				
4018598	KL/KLE 40					
Cap (black)						
4000421	KL 30	Single component				
4010421	KL 40					



Corner joint

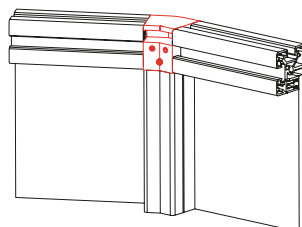
- Connection element for assembling profile angle brackets and clamping profiles W*, KLW, KLE and KL
- The clamping bolts are inserted directly into the profile. Centring pins prevent torsion

Material:
Die-cast zinc, black powder-coated aluminium (see table)

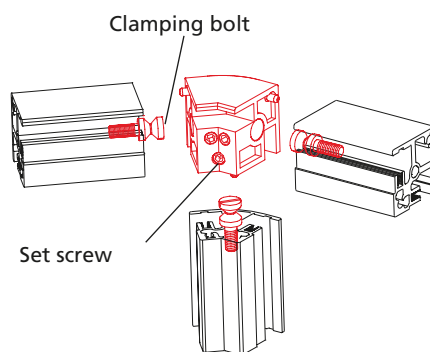
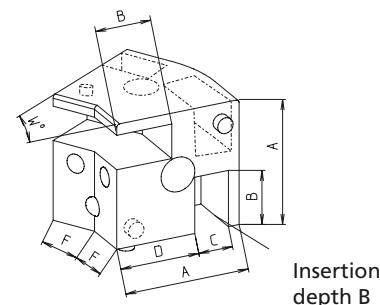
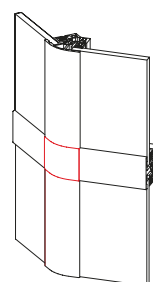
Includes:
Includes all parts required to fully assemble one corner joint



Corner joint KLW



Corner joint KLWK



Assembly steps

1. Screw clamping bolt into profile
2. Put together with corner joint
3. Tighten set screw on corner joint – done!

*When using W-profiles, the corners of panels may have to be notched.

[mm]

Code No.	Type	For profile*	A	B	C	D	F	W
Die-cast zinc								
4412406	KLW 30-30	KLW 30-30, KL, KLE, ESP 30	30	13	8	19.5	11.0	30°
4422406	KLW 30-45	KLW 30-45, KL, KLE, ESP 30	30	13	8	19.5	8.8	45°
4622406	KLW 30-60	KLW 30-60, KL, KLE, ESP 30	30	13	8	19.5	8	60°
4432406	KLW 30-90	KLW 30-90, KL, KLE, ESP 30	30	13	8	19.5	10.0	90°
4472406	KLW 40-45	KLW 40-45, KL, KLE, ESP 40	40	18	11	25.5	11.7	45°
4632406	KLW 40-60	KLW 40-60, KL, KLE, ESP 40	40	18	11	25.5	11.5	60°
4482406	KLW 40-90	KLW 40-90, KL, KLE, ESP 40	40	18	11	25.5	15.0	90°
Black powder-coated aluminium								
4402406	KLW 30-15	KLW 30-15, KL, KLE, ESP 30	30	13	8	19.5	13.0	15°
4452406	KLW 40-15	KLW 40-15, KL, KLE, ESP 40	40	18	11	25.5	17.4	15°
4462406	KLW 40-30	KLW 40-30, KL, KLE, ESP 40	40	18	11	25.5	14.6	30°
4422407	KLWK 30-45	KLW 30-45, KLD 30	30	13	8	19.5	8.8	45°
4472407	KLWK 40-45	KLW 40-45, KLD 40	40	18	11	25.5	11.7	45°

Right-angle connections

Corner joint with plastic cap

- Connection element for edge profiles meeting at right angles R, W, KLW* and GG. The profiles are connected with the corner joint and screws
- To enhance the visual appeal of this point, it is sealed with a plastic cap
- Angle accuracy $\pm 6'$

Material:

Die-cast zinc corner joint, plastic cap, galvanised fastenings

Assembly instructions

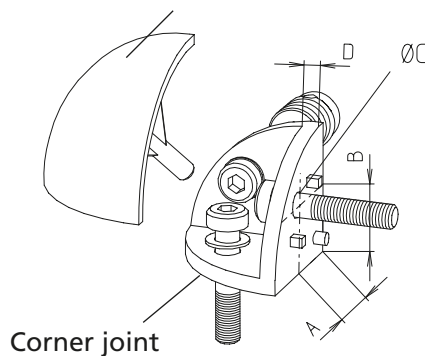
R-30, W, GG-Profile:

Corner joint and profiles are connected with screws. The centring shoulders make assembly and alignment of the profiles easier. If the shoulders are not desired, they can be bent with a pliers. Seal the corner joint with a removable plastic cap.

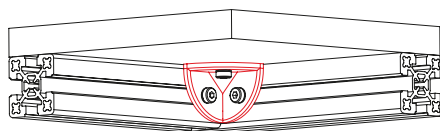
*When using KLW-profiles, the corners of panels may have to be notched.



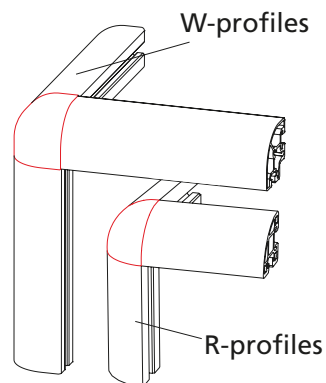
Corner cap



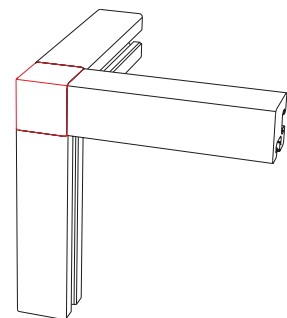
Corner joint



Corner joint as fixing element for the flush mounting of panels



Corner connection with R, KLW or W-profiles




Corner connection with G-profiles

[mm]

Code No.	Type	Profiles	A	B	Ø C	D
4104408	Complete corner joint, black	R 30	15	15	5.4	3
4114408		R 40	20	20	6.6	4.5
4554408		F-G/GG/2G/3G 30	15	15	5.4	3
4564408		F-G/GG/2G/3G 40, F-GG 40x80 (2x)	20	20	6.6	4.5
4104406		W/KLW 30 (90°)	20	20	5.5	3.5
4114406		W/KLW 40 (90°)	30	30	6.6	5
4104407	Corner joint -single component- (without cap and screws)	R, F-G/GG/2G/3G 30	15	15	5.4	3
4114407		R, F-G/GG/2G/3G 40, F-GG 40x80 (2x)	20	20	6.6	4.5
4104405		W/KLW 30 (90°)	20	20	5.5	3.5
4114405		W/KLW 40 (90°)	30	30	6.6	5
4100411	Corner cap -single component-	W/KLW 30 (90°)	-	-	-	-
4110411		W/KLW 40 (90°)	-	-	-	-
4108421	Corner cap	R 30	RAL 9005			
4108422			RAL 9006			
4108423			RAL 7035			
4108426			RAL 5005			
4118421	Corner cap	R 40	RAL 9005			
4118422			RAL 9006			
4118423			RAL 7035			
4118426			RAL 5005			
4558421	Corner cap	F-G/GG/2G/3G 30	RAL 9005			
4558422			RAL 9006			
4568421	Corner cap	F-G/GG/2G/3G 40, F-GG 40x80	RAL 9005			
4568422			RAL 9006			

Code No.	Type	Profiles	Colour
4108421	Corner cap	R 30	RAL 9005
4108422			RAL 9006
4108423			RAL 7035
4108426			RAL 5005
4118421	Corner cap	R 40	RAL 9005
4118422			RAL 9006
4118423			RAL 7035
4118426			RAL 5005
4558421	Corner cap	F-G/GG/2G/3G 30	RAL 9005
4558422			RAL 9006
4568421	Corner cap	F-G/GG/2G/3G 40, F-GG 40x80	RAL 9005
4568422			RAL 9006

Black RAL 9005	
White aluminium RAL 9006	
Light grey RAL 7035	
Rape yellow RAL 1021	
Traffic red RAL 3020	
Signal blue RAL 5005	

Please note that, for typographical reasons, the colours illustrated here are only an approximation of the RAL colours.

Cross connections

Versions



Table of contents

Connection techniques

Cross connections

- Keyed clamp connector -Q- p. 232
- Mitre joint -transversal- p. 232
- Cross clamp KV p. 233

Cross connections

Keyed clamp connector -Q-



- Simple realisation of cross connections by bracing the profiles
- No profile machining necessary

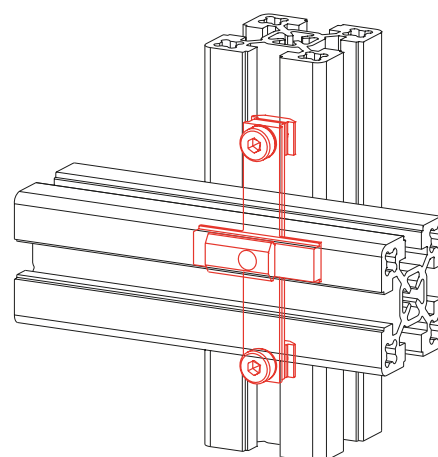
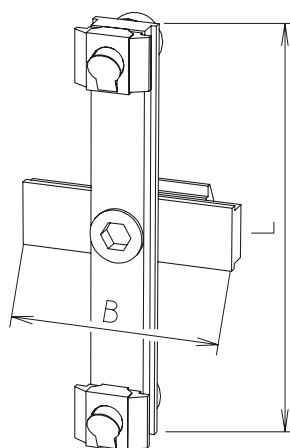
Material: Galvanised steel
Includes: Complete fixing set for one connection

Code No.	Type
4016521	40 slot geometry

Mitre joint -transversal-

- For connecting crossing profiles
- For retrofitting in structures
- Profile alignment not necessary

Material: Galvanised steel
Includes: Complete fixing set for one connection

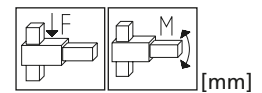
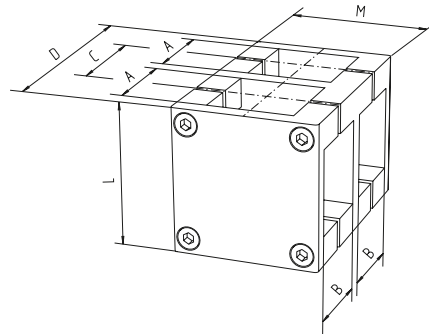
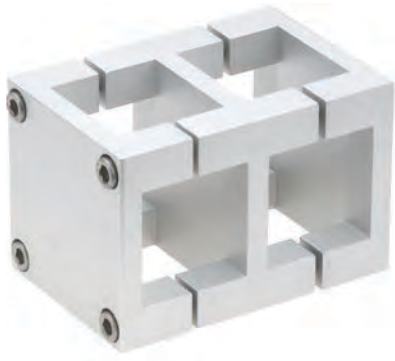


Code No.	Type	B	L	Version
4026502	F-60/80	40	102	With slot stone -F-
4026512	F-60/80	40	102	With slot stone -L-
4016502	40/50	40	78	With slot stone -F-
4016512	40/50	40	78	With slot stone -L-



Cross clamp KV

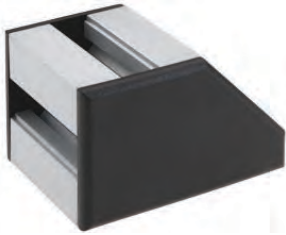
Material: Aluminium,
Stainless steel fastenings.
For further clamping elements,
please refer to the catalogue
"Connecting Technology"



Code No.	Type	A	B	C	D	L	M	F [N]	M [Nm]
503000050300	KV 30	30.2	30.2	36	78	56	56	2800	280
504000050300	KV 40	40.3	40.3	48	104	68	68	2800	680
505000050300	KV 50	50.4	50.4	60	130	85	85	-	-
506000050300	KV 60	60.4	60.4	72	169	105	105	-	-

Angle connections

Versions



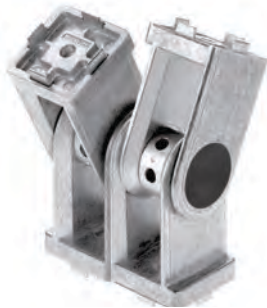
Frame joint 2x40



Frame joint 3x40



Profile hinge -E-



Double profile joint (eccentric)



Profile hinge



Double profile joint



Mitre joint -W1-



Mitre joint -W2-



Steel swivel

Table of contents

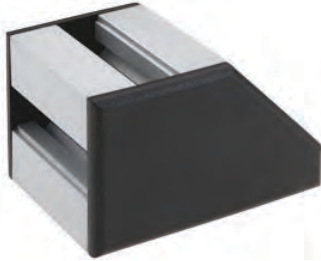
Connection techniques

Angle connections

- Frame joint 2x40 p. 236
- Frame joint 3x40 p. 236
- Profile hinge -E- (eccentric) p. 237
- Double profile joint -E- (eccentric)..... p. 237
- Profile hinge..... p. 238
- Double profile joint p. 238
- Mitre joint -W1- p. 239
- Mitre joint -W2- p. 239
- Steel swivel p. 240

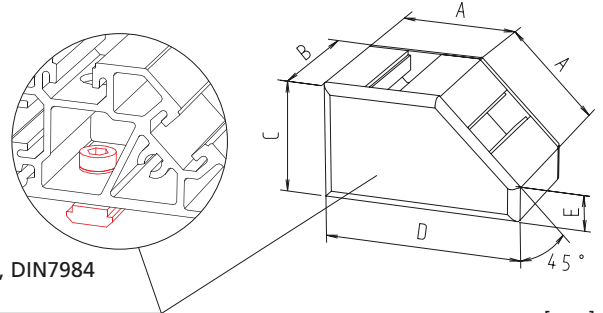
Angle connections

Frame joint 2x40



- Frame joint with 2 connecting options 40x40 and/or 40x80, each set at 45°.
- Complete with fixing set.

Material: Aluminium, Plastic cover plates, cut to size as required.



Fixing set:
Socket head cap screw, M6x12, DIN7984
Lock washer, slot stone -N-

[mm]

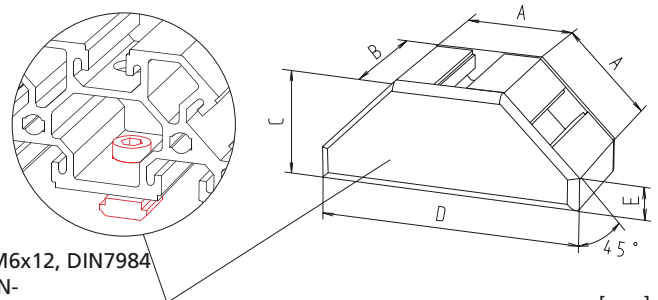
Code No.	Type	A	B	C	D	E
4155650	40	40	40	40	68	11.8
4155651	40x80	40	80	40	68	11.8

Frame joint 3x40



- Frame joint with 3 connecting options 40x40 and/or 40x80, each set at 45°.
- Complete with fixing set.

Material: Aluminium, Plastic cover plates, cut to size as required.



Fixing set:
Socket head cap screw, M6x12, DIN7984
Lock washer, slot stone -N-

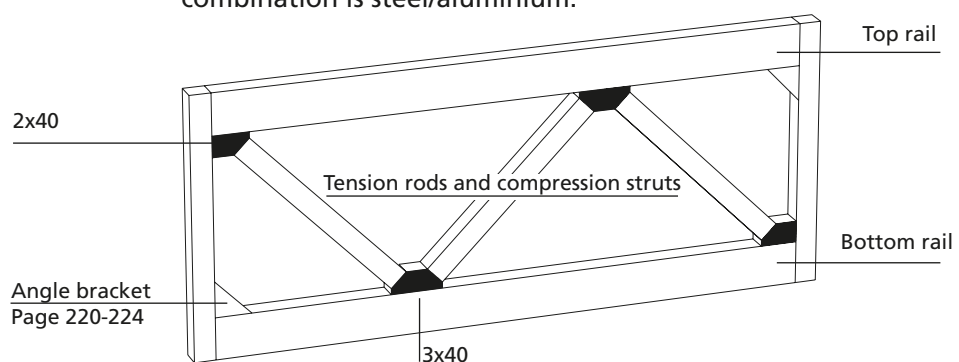
[mm]

Code No.	Type	A	B	C	D	E
4255650	40	40	40	40	96.6	11.8
4255651	40x80	40	80	40	96.6	11.8

Position diagram

- With unsupported lengths and dynamic alternating stresses, bracing elements should be added because the material combination is steel/aluminium.

- Such elements may be angle brackets, bracing plates and cross strut profiles as are typically used in framework.



Profile hinge -E-

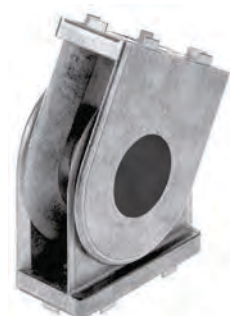
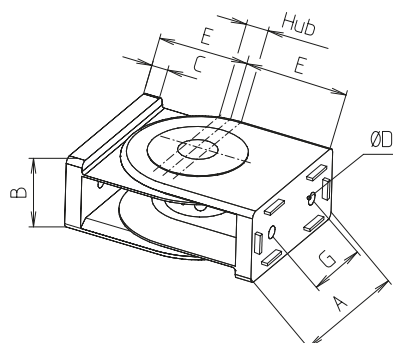


30x30 / 40x40

- These die-cast hinges feature eccentric height compensation.

Material: Die-cast zinc hinge, galvanised steel eccentric bolt and fastenings

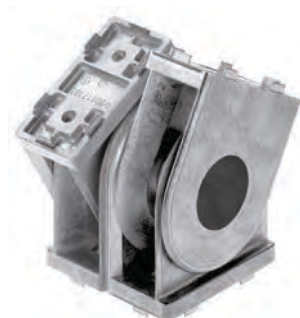
Includes: Does not include fixing set (see table)



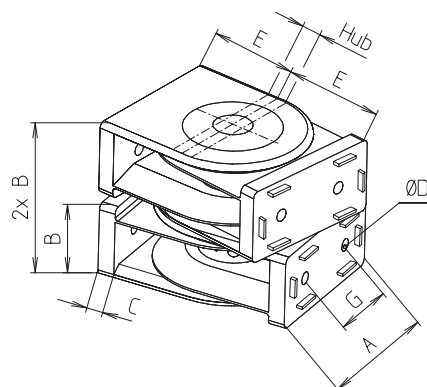
30x60 / 40x80

Code No.	Type	Pivoting range	Travel	A	B	C	D	E	G
4032550	Hinge 30x30	250°	4	30	30	8	6.1	42	0
4032570	Hinge 30x60	180°	4	60	30	8	6.1	42	20
4000530	Fixing set to 30 slot geometry								
4010530	Fixing set to 40 slot geometry								
4030530	Face-to-face fixing set to profile F-30x60								
4012520	Hinge 40x40	250°	4	40	40	9	6.6	52	0
4032540	Hinge 40x80	180°	4	80	40	9	6.6	52	40
4000521	Fixing set to 30 slot geometry								
4010521	Fixing set to 40 slot geometry								
4810520	Face-to-face fixing set to type 40								

Double profile joint -E-



40x80



Material: Die-cast zinc hinge, galvanised steel eccentric bolt and fastenings

Includes: Does not include fixing set (see table)

Code No.	Type	Pivoting range	Travel	A	B	C	D	E	G
4042520	Double joint 40x80	180°	4	80	40	9	6.6	52	40
4000521	Fixing set to 30 slot geometry								
4010521	Fixing set to 40 slot geometry								
4810520	Face-to-face fixing set to type 40 profile F-40x40/F-40x40-L								

Note: A fixing set contains material for connecting one profile. Thus, for a double joint, 4 fixing sets are required.

Angle connections

Profile hinge

F-40, figure with slot-to-slot fixing set

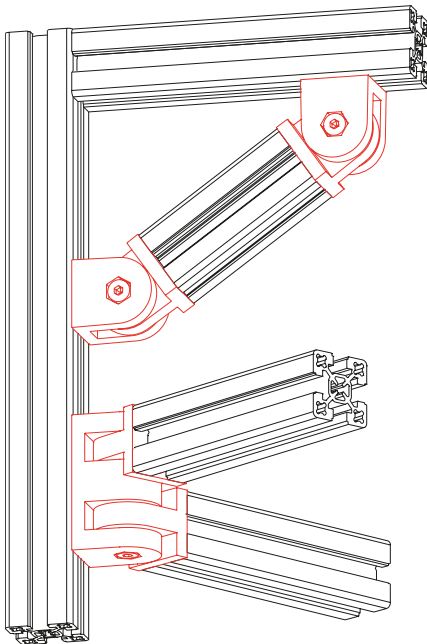
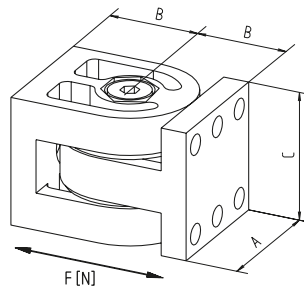


- Depending on the fixing set, the profile hinge can be used with the profiles given below
- The hinge can be infinitely adjusted through 180° and fixed in any position using a clamping screw.

Material: Aluminium

Includes:

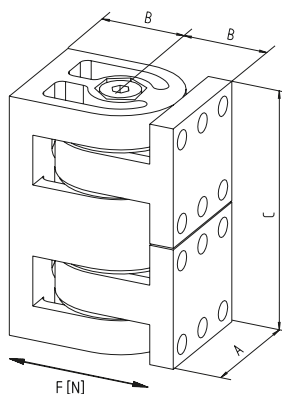
Complete with fixing set (see table)



[mm]						
Code No.	Type	Fixing set	A	B	C	F [N]
4015550	Profile hinge F-40	without fixing set	40	28	40	1500
4015551		Face-to-face	40	28	40	1500
4015552		Slot-to-slot	40	28	40	1500
4015553		Face-to-slot	40	28	40	1500
4035550	Profile hinge F-40x80	without fixing set	40	28	80	3000
4035551		Face-to-face	40	28	80	3000
4035552		Slot-to-slot	40	28	80	3000
4035553		Face-to-slot	40	28	80	3000
4016665	Lever for hand adjustment 40					
4019666	Lever for hand adjustment 40x80					

Double profile joint

F-40x80-2, figure with face-to-slot fixing set

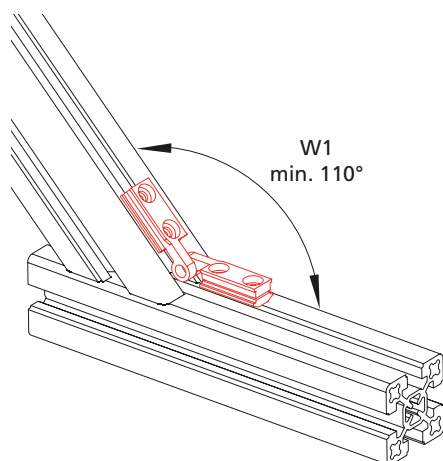
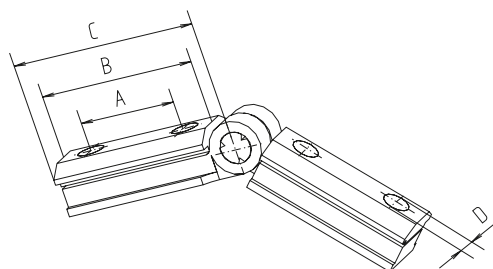


[mm]						
Code No.	Type	Fixing set	A	B	C	F [N]
4035555	Double profile joint F-40x80-2	without fixing set	40	28	80	2000
4035556		Face-to-face	40	28	80	2000
4035557		Slot-to-slot	40	28	80	2000
4035558		Face-to-slot	40	28	80	2000
4019666	Lever for hand adjustment 40x80					

Mitre joint -W1-

- Connects profiles at any angle
- No alignment necessary

Material: Galvanised steel
Includes: Complete fixing set for one mitre joint -W-



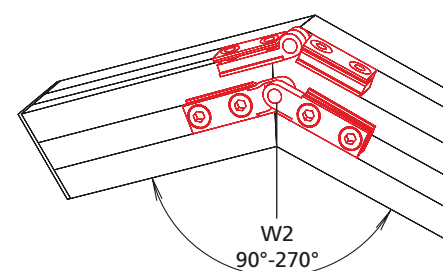
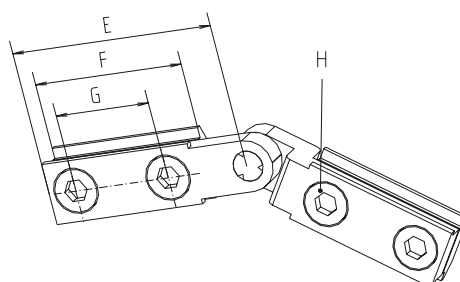
[mm]

Code No.	Type	Slot geometry	A	B	C	D
4016506	W-1	30	19	30	41	M4
4016504	W-1	40	19	30	41	M5

Mitre joint -W2-

Material: Galvanised steel

Includes: Complete fixing set for one mitre joint -W-



[mm]

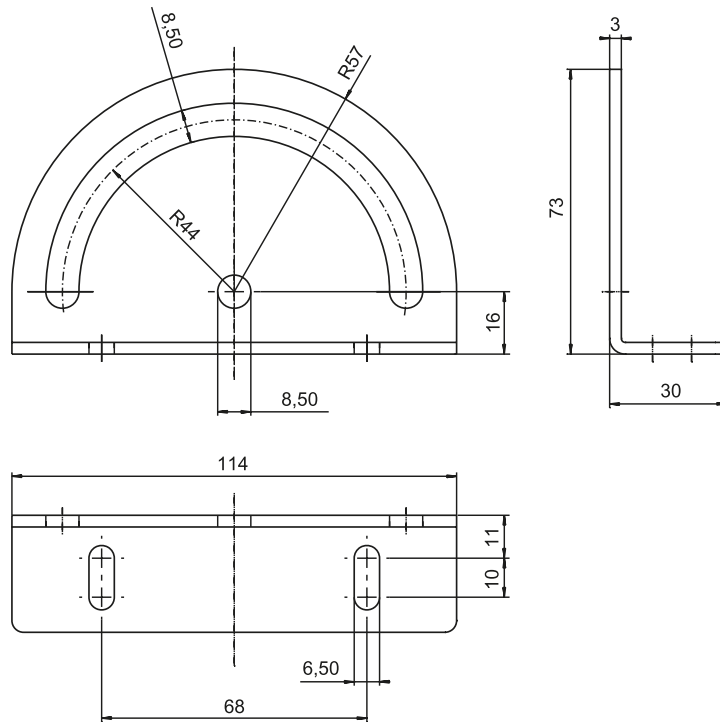
Code No.	Type	Slot geometry	E	F	G	H
4016507	W-2	30	41	30	19	M4
4016505	W-2	40	41	30	19	M5

Angle connections

Steel swivel

- Using steel swivels enables structural profiles to be adjusted to any angle

Material: Galvanised steel
Includes: 1 steel swivel with one complete fixing set for one profile connection.
 A clamping level can be ordered as an optional extra



[mm]

Code No.	Type	Slot geometry
WAC042000144	Steel swivel with screw	40
WAC042000145	Clamping lever	40



Versions



T-head bolt



Slot stone -F-



Slot stone -N-, -NF-



Slot stone -R-, -RF-



Slot stone -L- II



Slot stone -E-, -E- II



Slot stone -K-



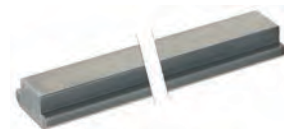
Slot stone -P- version K



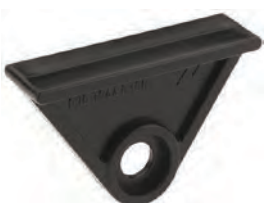
Slot stone -PA-



Equipotential bonding cable



Bar material
slot stone -N-



Suspended sliding block



Screws

Table of contents

Accessories

Slot stones and screws

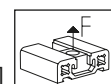
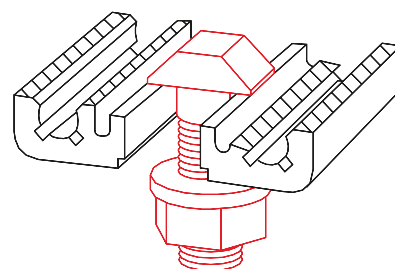
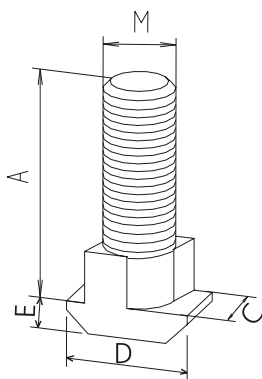
- T-head bolt p. 244
- Slot stone -F-..... p. 244
- Slot stone -N-, -NF- p. 245
- Slot stone -R-, -RF- p. 246
- Slot stone -L-..... p. 247
- Slot stone -E-/EII p. 247
- Slot stone -K- p. 248
- Slot stone -P- version K
(equipotential bonding) p. 248
- Slot stone -PA- (equipotential bonding).... p. 249
- Equipotential bonding cable..... p. 250
- Bar material slot stone -N-..... p. 250
- Suspended sliding block p. 252
- Screws p. 253

Slot stones and screws

T-head bolt

- For fixing mitre joints and angle brackets
- Can be inserted into any position in the profile slot
- The action of tightening turns it into the final clamping position

Material: Galvanised steel
Includes: Complete with nut and washer



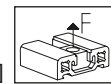
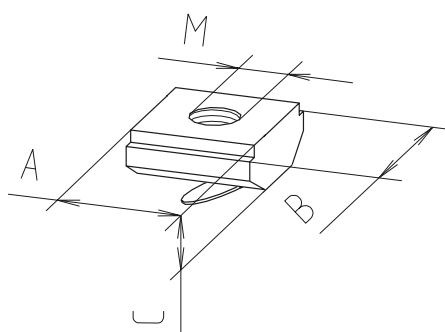
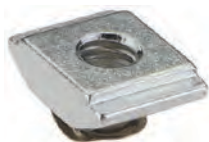
[mm]

Code No.	Type	Slot geometry	A	C	D	E	M	F [N]
4016201	M8x25	40	25	9.8	15.5	4	M8	8000

Slot stone -F-

- Simply slid/inserted edge-first into the profile slot
- Fixed in the desired position by the spring clip

Material: Galvanised steel



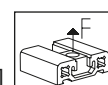
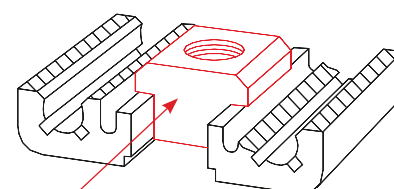
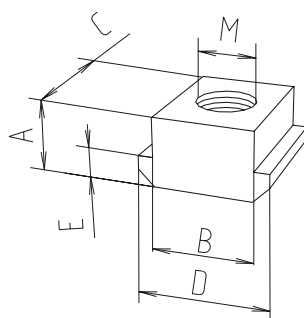
[mm]

Code No.	Type	Slot geometry	A	B	C	M	F [N]
4006710	M3	30	10	12	4	M3	3000
4006716	M4	30	10	12	4	M4	3500
4006711	M5	30	10	12	4	M5	4000
4006712	M6	30	10	12	4	M6	4500
4006715	M4	40	10	14	4	M4	3500
4006713	M5	40	10	14	4	M5	4000
4006714	M6	40	10	14	4	M6	4500

Slot stone -N-

- This slot stone slides into the end of the profile slot

Material: Galvanised steel
Includes: 1



[mm]

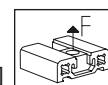
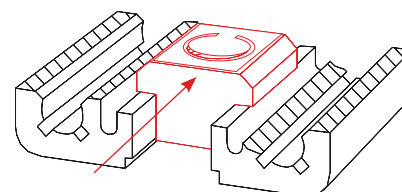
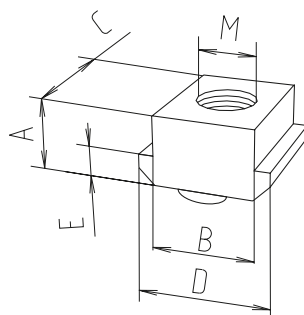
Code No.	Type	Slot geometry	A	B	C	D	E	M	F [N]
4006201	M5	30	5	10	13	13	3	M5	4000
4006203	M6	30	5	10	13	13	3	M6	4000
4006202	M8	30	5	10	13	13	3	M8	4000
4026207	M5	40	8	10	13	15	4	M5	4000
4026203	M6	40	8	10	13	15	4	M6	9000
4026206	M8	40	8	10	13	15	4	M8	9000
4029206	M8*	40	8	10	13	15	4	M8	9000
4026214	M8	40	8	10	28	15	4	M8	9000
4026208	M8	40, with screw M8x16	8	10	13	15	4	M8	9000
4026202	M8	40, with screw M8x18	8	10	13	15	4	M8	9000

* Stainless steel

Slot stone -NF-
NEW

- This slot stone slides into the end of the profile slot
- The spring clip guarantees fixation in any position/installation position

Material: Galvanised steel



[mm]

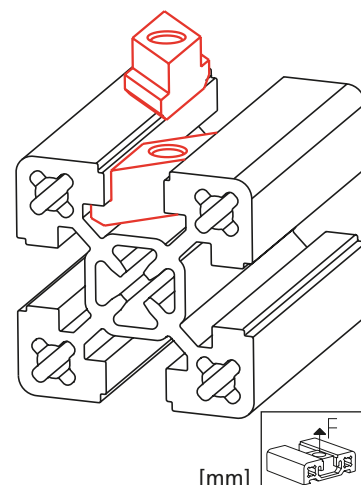
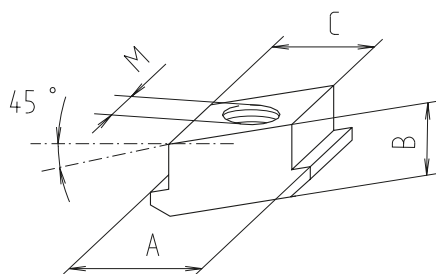
Code No.	Type	Slot geometry	A	B	C	D	E	M	F [N]	Pack of
4016252	M6	40	8	10	13	15	4	M6	9000	100 / bag
4016253	M8	40	8	10	13	15	4	M8	9000	100 / bag
4016254	M6	40	8	10	13	15	4	M6	9000	10 / bag
4016255	M8	40	8	10	13	15	4	M8	9000	10 / bag

Slot stones and screws

Slot stone -R-

- Insert anywhere in the slot
- The action of tightening turns it into the final clamping position

Material: Galvanised steel
Includes: 1



[mm]

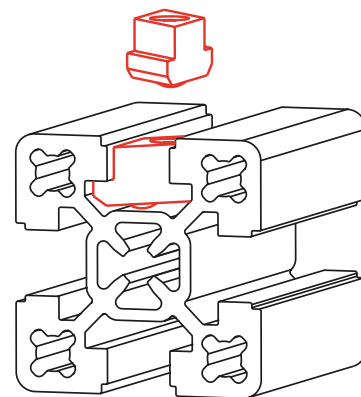
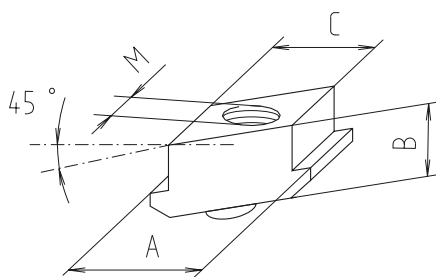
Code No.	Type	Slot geometry	A	B	C	M	F [N]
4006222	M5	30	13	5	10	M5	4000
4006221	M6	30	13	5	10	M6	4000
4006223	M8	30	13	5	10	M8	4000
4026221	M6	40	15	8	10	M6	8000
4026222	M8	40	15	9	10	M8	8000

Slot stone -RF-

NEW

- Rhombic slot stones -RF- can be inserted and twisted into any position in the profile slot
- The spring clip guarantees fixation in any position/installation position

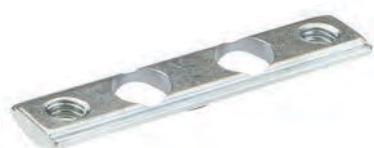
Material: Galvanised steel



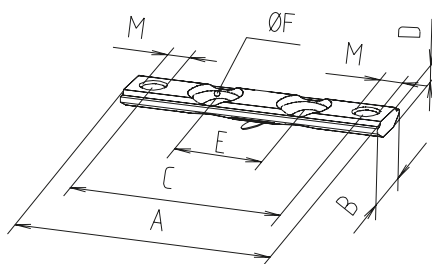
[mm]

Code No.	Type	Slot geometry	A	B	C	M	F [N]	Pack of
4006251	M5	30	13	5	10	M5	4000	100 / bag
4006252	M6	30	13	5	10	M6	4000	100 / bag
4006253	M8	30	13	5	10	M8	4000	100 / bag
4006254	M6	40	15	8	10	M6	8000	100 / bag
4006255	M8	40	15	9	10	M8	8000	100 / bag
4006256	M5	30	13	5	10	M5	4000	10 / bag
4006257	M6	30	13	5	10	M6	4000	10 / bag
4006258	M8	30	13	5	10	M8	4000	10 / bag
4006259	M6	40	15	8	10	M6	8000	10 / bag
4006260	M8	40	15	9	10	M8	8000	10 / bag

Slot stone -L- II



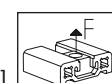
Version -L- II



- For fixing flange brackets. The slot stone can be slid/inserted edge-first into the profile slot and fixed in any position with a spring clip.

Material: Galvanised steel

[mm]



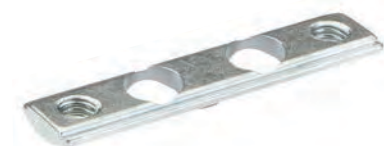
Code No.	Type	Version	Slot geometry	A	B	C	D	E	F	M	F [N]
4006207	M5	-L- II	30	29	12	21.5	4	0*	8.5	M5	6500
4016206	M6	-L- II	40	38	14	28	4	0*	10.2	M6	12300
4016207	M6	-L- II	40	48	14	38	4	15.5	10.2	M6	10400
4016208	M6	-L- II	40	58	14	48	4	20	10.2	M6	10400
4046206	M6	-L- II	40	78	14	68	4	40	10.2	M6	10300

* Only have one hole

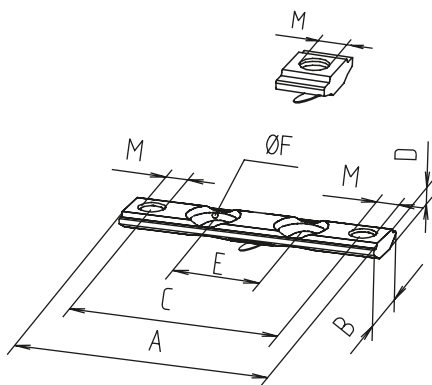
Slot stone -E- / E-II



Version -E-



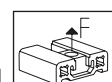
Version -E- II



- Slid into the slot from the side
- High load capacity due to large supporting surface
- Fixed in the desired position by the spring clip

Material: Galvanised steel

[mm]



Code No.	Type	Version	Slot geometry	A	B	C	D	E	F	M	F [N]
4006208	M5	-E-	40	10	16.5	-	4	0*	-	M5	7000
4006209	M6	-E-	40	10	16.5	-	4	0*	-	M6	7400
4006224	M6	-E- II	40	38	16.5	28	3.8	0	10.2	M6	11100
4006239	M6	-E- II	40	58	16.5	48	3.8	15.5	10.2	M6	10900
4006240	M6	-E- II	40	78	16.5	68	3.8	40	10.2	M6	8800

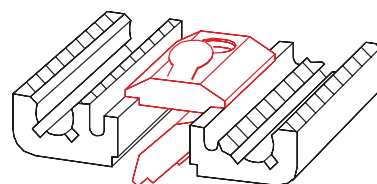
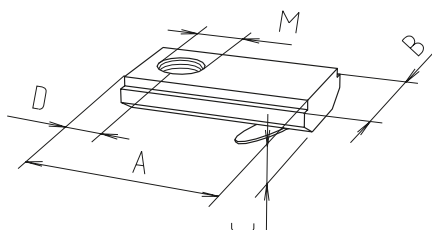
* Only have one hole

Slot stones and screws

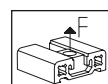
Slot stone -K-

■ Simply slid/inserted edge-first into the profile slot

Material: Galvanised steel



[mm]



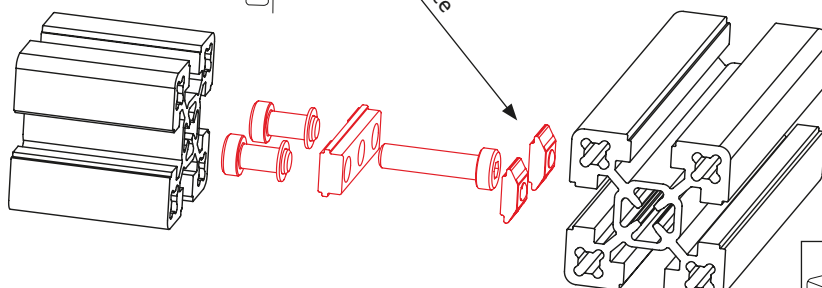
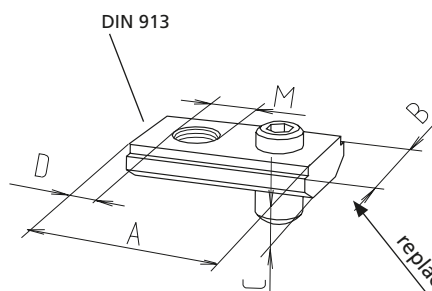
Code No.	Type	Slot geometry	A	B	C	D	M	F [N]
4006211	M5	30	21	12	4	7	M5	5000
4006212	M6	30	21	12	4	7	M6	5000
4006213	M8	30	21	12	4	7	M8	5000
4016212	M6	40	21	14	4	7	M6	5000
4016213	M8	40	21	14	4	7	M8	8000

Slot stone -P- version K

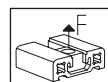
■ Creates equipotential bonding between two profiles by damaging the anodised layer

Material: Galvanised steel/stainless steel

Includes:
1 complete unit



[mm]



Code No.	Type	Material	Slot geometry	A	B	C	D	M	F [N]
4006214	M5	Galvanised steel	All	20	12	4	7	M5	5000
4009214	M5	Stainless steel	All	20	12	4	7	M5	5000
4006216	M6	Galvanised steel	All	20	12	4	7	M6	5000
4009216	M6	Stainless steel	All	20	12	4	7	M6	5000
4006215	M6	Galvanised steel	40	20	14	4	7	M6	5000

**Slot stone -PA-**

Version PA -N-



Version PA -R-



Version PA -F-



Version PA -K-



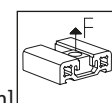
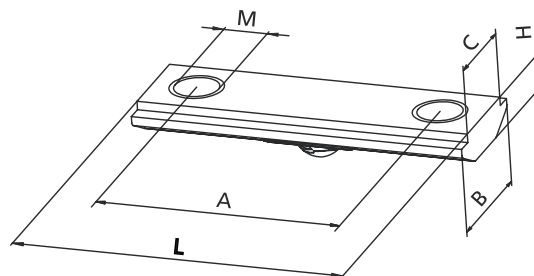
Version PA -L-



Version PA -PLM-

■ The -PA- slot stones have an equipotential bonding effect by destroying the anodised layer. The slot stones can be used in an assembly kit or be interconnected with bridge pieces.

Material: Black galvanised steel
Includes: 1 pack of 10



[mm]

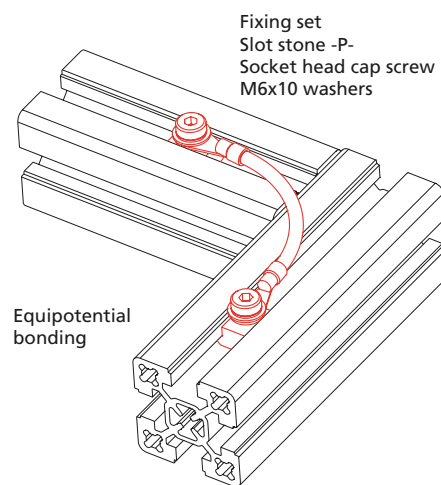
Code No.	Type	Slot geometry	A	B	C	H	L	M	F [N]
Slot stone PA -N-									
4006B01	M5	30	–	13	10	5	13	M5	4000
4006B03	M6	30	–	13	10	5	13	M6	4000
4006B02	M8	30	–	13	10	5	13	M8	4000
4026B07	M5	40	–	15	10	8	13	M5	4000
4026B03	M6	40	–	15	10	8	13	M6	9000
4026B06	M8	40	–	15	10	8	13	M8	9000
Slot stone PA -R-									
4006B22	M5	30	–	13	10	5	29	M5	4000
4006B21	M6	30	–	13	10	5	29	M6	4000
4006B23	M8	30	–	13	10	5	29	M8	4000
4026B21	M6	40	–	15	10	8	31	M6	8000
4026B22	M8	40	–	15	10	9	31	M8	8000
Slot stone PA -F-									
4006C10	M3	30	–	12	10	4	10	M3	3000
4006C16	M4	30	–	12	10	4	10	M4	3500
4006C11	M5	30	–	12	10	4	10	M5	4000
4006C12	M6	30	–	12	10	4	10	M6	4500
4006C15	M4	40	–	14	10	4	10	M4	3500
4006C13	M5	40	–	14	10	4	10	M5	4000
4006C14	M6	40	–	14	10	4	10	M6	4500
Slot stone PA -K-									
4006B11	M5	30	–	12	10	4	21	M5	5000
4006B12	M6	30	–	12	10	4	21	M6	5000
4006B13	M8	30	–	12	10	4	21	M8	5000
4016B12	M6	40	–	14	10	4	21	M6	5000
4016B13	M8	40	–	14	10	4	21	M8	8000
Slot stone PA -L-									
4006B04	M5	30	21.5	12	10	4	29	M5	7000
4016B04	M6	40	28	14	10	4	38	M6	10000
4026B04	M6	40	48	14	10	4	58	M6	8600
4046B04	M6	40	68	14	10	4	78	M6	12000
Slot stone PA -PLM-									
E00037CRH	M3	20	–	6,5	–	3	10	M3	2000
E00038CRH	M4	20	–	6,5	–	3	10	M4	2000
E00039CRH	M5	20	–	6,5	–	3	10	M5	2000

Slot stones and screws

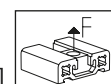
Equipotential bonding cable

- Equipotential bonding cable 6 mm² with cable lug, length 120 mm

Material: Galvanised steel fixing set



[mm]

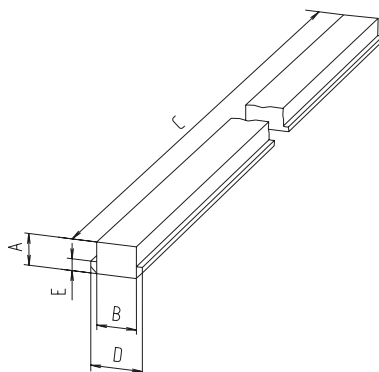
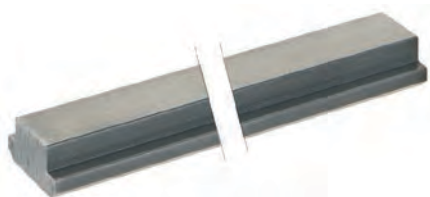


Code No.	Type	Slot geometry
4012590	Equipotential bonding (cable)	40
4012591	Complete fixing set	40

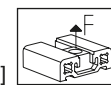
Bar material

- The bar material allows thread to be cut to length and positioned to suit the application.
- Manufacturing tolerances (dimension C) must be observed
- Machining to customer specification available on request.

Material: Galvanised steel / stainless steel
Base profile for slot stone -N-



[mm]

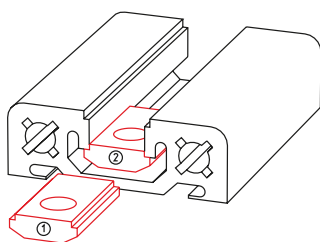


Code No.	Material	Slot geometry	A	B	C	D	E
4006200 3010	Steel	30	5	10	2800 - 3000	13	3
4026200 3010		40	8	10	2800 - 3000	15	4
4009200 5600	Stainless steel	30	4	10	5600 - 6000	14	3
4029200 5600		40	8	10	5600 - 6000	15	4

Use of slot stones (slot stone with spring clip -F- / slot stones -K-, -E- and -L- II)

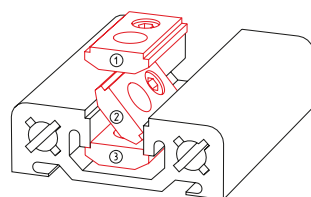
Code No.	See page	30 slot geometry		40 slot geometry	
		slide into slot	insert edge-first into slot	slide into slot	insert edge-first into slot
Slot stone -F-					
4006710	244	x	x	x	x
4006716	244	x	x	x	x
4006711	244	x	x	x	x
4006712	244	x	x	x	x
4006715	244	x		x	x
4006713	244	x		x	x
4006714	244	x		x	x
Slot stone -L- II					
4006207	247	x	x	x	x
4016206	247	x		x	x
4016207	247	x		x	x
4016208	247	x		x	x
4046206	247	x		x	x
Slot stone -E- / E-II					
4006208	247			x	
4006209	247			x	
4006224	247			x	
4006239	247			x	
4006240	247			x	
Slot stone -K-					
4006211	248	x	x	x	x
4006212	248	x	x	x	x
4006213	248	x	x	x	x
4016212	248	x		x	x
4016213	248	x		x	x
4006214	248	x	x	x	x
4006215	248	x	x	x	x
4006216	248	x		x	x

Slide slot stone into slot



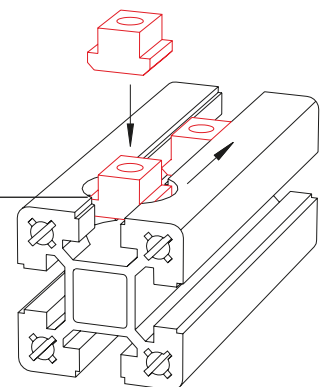
Numbers = Installation sequence

Insert slot stone edge-first into slot



Example of retrospective insertion of an N slot stone in a profile.
You will find a suitable drilling fixture on page 458

Hole
Diameter: 20 mm
Depth: 11.5 mm

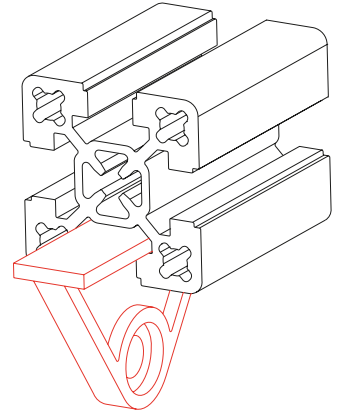
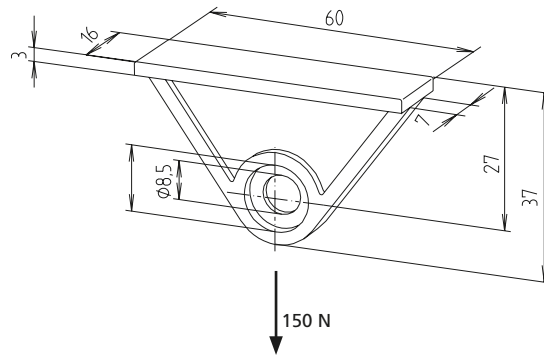


Slot stones and screws

Suspended sliding block

- To take tools and curtain guards
- Slid into the profile slot from the side.

Material: Black plastic



Code No.	Slot geometry
4018200	40



Screws - DIN 7984

Material: Galvanised steel
Includes:
1 unit complete with lock washer



Code No.	Type	Suitable for
4006234	M5x14	Connecting plate 30
4006235	M5x16	Hidden screw 30
4006238	M5x35	Corner joint clamping profiles 30
4016234	M6x16	Connecting plates as of size 40
4016235	M6x20	Hidden screw size 40
4016240	M6x45	Corner joint clamping profiles 40
4016236	M8x12	Universal
4016238	M8x18	Universal
4016237	M8x30	Universal

RK expansion screws

- Used for low dynamic loads
- Tightening torque 10 Nm

Material: Galvanised steel
Head to DIN 7984



Code No.	Type	Suitable for
4126230	M6x35	40x40 to 80x160 F-profiles

Profile covers

Versions



Table of contents

Profile covers

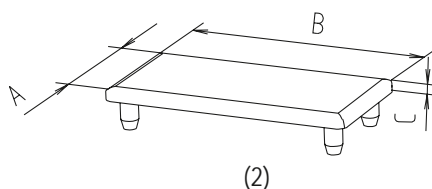
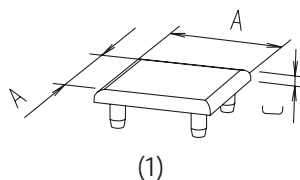
- Cap p. 256
- End plate p. 258
- Cover profile -plastic-..... p. 259
- Cover profile -aluminium- p. 259
- Rim p. 260
- Door gap seal p. 260

Profile covers

Caps -plastic-

■ In addition to the standard black version (see next page), it is possible to order other types in various RAL colours. Other profile types and RAL colours available on request.

■ Please note that, for typographical reasons, the colour illustrated here is only an approximation of the RAL colour.



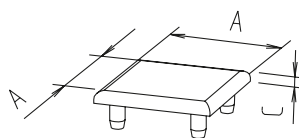
- White aluminium RAL 9006
- Light grey RAL 7035
- Rape yellow RAL 1021
- Traffic red RAL 3020
- Signal blue RAL 5005

Code No.	Type	See figure	A	B	C	D	R
Colour plastic cap							
410042_	F-R 30	1	30	–	3	–	29
400042_	F-G/GG/2G/3G 30x30	2	30	–	3	–	–
401042_	F-G/GG/2G/3G 40x40	2	40	–	4	–	–
403042_	F-G/F-GG 40x80	4	40	80	4	–	–
408842_	F-G/GG/2G/3G 50x50, SP-50x50	2	50	–	4	–	–
412142_	F-G/GG/2G/3G 60x60	2	60	–	4	–	–
404042_	F-G/GG/2G 80x80	2	80	–	4	–	–

- 2 = RAL 9006
- 3 = RAL 7035
- 4 = RAL 1021
- 5 = RAL 3020
- 6 = RAL 5005

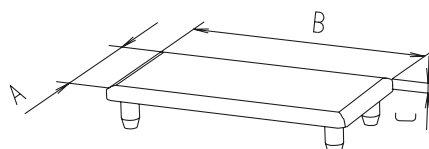


Black caps
-plastic-



(1)

Black RAL 9005



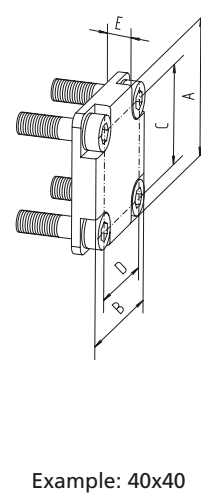
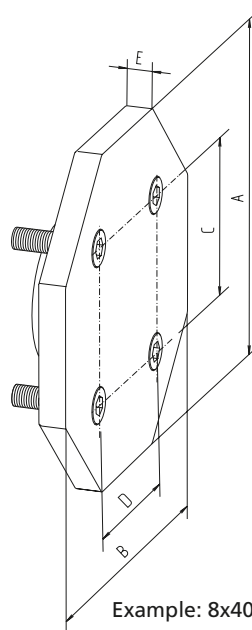
(2)

Code No.	Type	Version	See figure	A	B	C	D	R
Black plastic cap								
4000421	F-G/GG/2G/3G 30x30		2	30	-	3	-	-
4010421	F-G/GG/2G/3G 40x40		2	40	-	4	-	-
4030421	F-G/GG 40x80		4	40	80	4	-	-
4088421	SP-50x50, F-G/GG/2G/3G 50x50		2	50	-	4	-	-
4100421	F-R 30		1	30	-	3	-	R 29
4121421	F-G/GG/2G/3G 60x60		2	60	-	4	-	-
4040421	F-G/GG/2G 80x80		2	80	-	4	-	-
4388421	15x40		4	15	40	4	-	-
4348421	15x60		4	15	60	4	-	-
4358421	15x80		4	15	80	4	-	-
4368421	15x120		4	15	120	4	-	-
4378421	15x160		4	15	160	4	-	-
4158421	2x40		5	40	-	4	-	-
4158422	2x40		6	40	-	4	-	-
4258421	3x40		3	40	-	4	-	-
4050421	8x40		7	40	-	4	-	-
4050422	8x40		8	40	-	4	40	-
4200421	KL 30x30, ESP 30		2	30	-	3	-	-
4600421	KLD 30x30		2	30	-	3	-	-
4700421	KLE 30x30		2	30	-	3	-	-
4408421	KLW 30-15		9	30	-	3	-	15°
4418421	W/KLW 30-30		9	30	-	3	-	30°
4428421	W/KLW 30-45		9	30	-	3	-	45°
4448421	W/KLW 30-60		9	30	-	3	-	60°
4438421	W/KLW 30-90		9	30	-	3	-	90°
4210421	KL 40x40, ESP 40		2	40	-	4	-	-
4610421	KLD 40x40		2	40	-	4	-	-
4710421	KLE 40x40		2	40	-	4	-	-
4458421	KLW 40-15		9	40	-	4	-	15°
4468421	W/KLW 40-30		9	40	-	4	-	30°
4478421	W/KLW 40-45		9	40	-	4	-	45°
4498421	W/KLW 40-60		9	40	-	4	-	60°
4488421	W/KLW 40-90		9	40	-	4	-	90°

Profile covers

End plate

Includes: End plate complete with fixing set



Code No.	Type	A	B	C	D	E
End plate to cover the front-end of the profile						
Die-cast aluminium						
4004401	F-G/GG/2G/3G 30	30	30	21	21	6
4084401	F-G/GG/2G/3G 50	50	50	38	38	7
4044401	F-G/F-GG 40x80	80	80	68	68	8
Aluminium						
4064401	F-G/GG/2G/3G 60	60	120	48	108	15
4074401	F-G/GG/2G 80	80	160	68	148	15

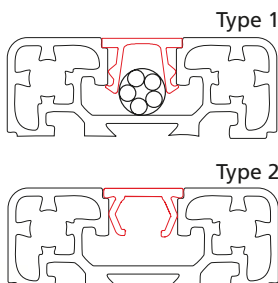


Cover profile -plastic-

- For the flush covering of longitudinal slots. Two versions are available.

- Due to the geometry of type 1, it is possible to route leads in the slot. Type 2, on the other hand, is easier to take out of the profile slot (without leaving residues).

Material: Plastic
Please note that, for typographical reasons, the colour illustrated here is only an approximation of the RAL colour. Further special colours available on request.

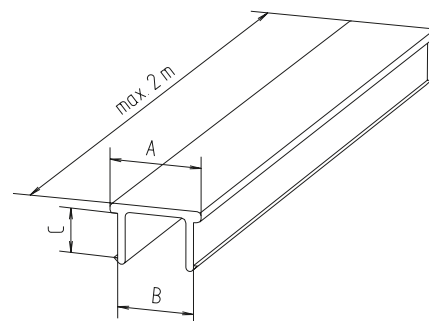
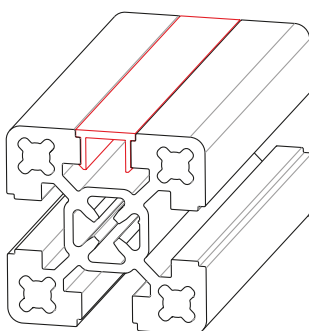


- White aluminium RAL 9006
- Light grey RAL 7035
- Rape yellow RAL 1021
- Traffic red RAL 3020
- Signal blue RAL 5005
- Black RAL 9005

Code No.	Type	Version	Colour	A	B	C
4000575	2	2 m bar	Light grey	12	11.2	6.4
4000577	2	2 m bar	White aluminium	12	11.2	6.4
4000579	2	2 m bar	Rape yellow	12	11.2	6.4
4000581	2	2 m bar	Traffic red	12	11.2	6.4
4000583	2	2 m bar	Signal blue	12	11.2	6.4
4000570	2	2 m bar	Black	12	11.2	6.4
4000585	1	2 m bar	Rape yellow	12	11.2	6.4
4008570	1	2 m bar	Black	12	11.2	6.4
NEW 4000586	1	2 m bar	Transparent	12	11.2	6.4

Cover profile -aluminium-

Material: Al Mg Si 0.5
Clear anodised.



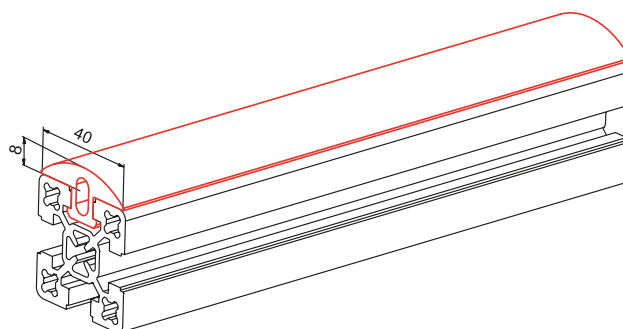
Code No.	Type	Slot geometry	A	B	C
4005572	Cut to size	30	12	10	2.7
4005570	1	30	12	10	2.7
4015572	Cut to size	40	12	10	5.2
4015570	1	40	12	10	5.2

Profile covers

Rim

- Protects the structure from damage
- Simply pressed into the profile slot

Material:
Synthetic EPDM rubber, black
Shore hardness: 70 Shore

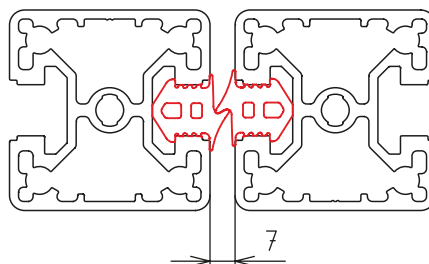


Code No.	Type	Slot geometry
4018594	Rim, 30 m roll	40
4018599	Rim, Cut to required length, max. 30 m	40

Door gap seal

- Can absorb gap width tolerances
- Acts as a door stop

Material: NBR rubber, black
Shore hardness: 55 Shore

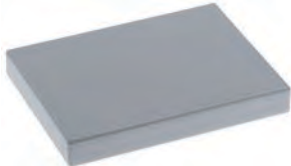


Code No.	Type	Slot geometry
4018518	Door gap seal, by the metre, max. length 100 m	40



Panels and accessories

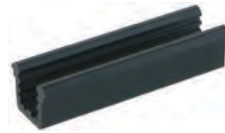
Versions



Panels



Framing profile



Embedding U-profile



Frame profile
Corner joint



Profile seal



Block joint -L-



Block joint -G-



Block joint -K-



Vario-Quick
holding block R



Vario-Quick
holding block S



Vario-Quick
holding block L



Vario-Quick
holding block K/KK



Vario-Quick
cable bracket



Tube clamp



Sliding door profile

Table of contents

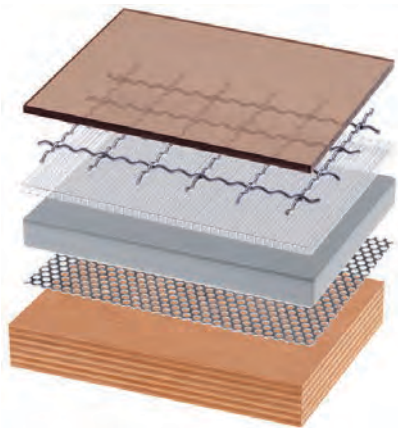
Panels and accessories

- Panels p. 264
- 2-piece framing profile Plastic p. 266
- 2-piece embedding U-profile p.268
- Frame profile/corner joint p. 270
- Profile seals..... p. 271
- Block joint -L- p. 272
- Block joint -G-..... p. 273
- Block joint -K-..... p. 273
- Vario-Quick holding block R..... p. 274
- Vario-Quick holding block S p. 274
- Vario-Quick holding block L p. 275
- Vario-Quick holding block K/KK..... p. 276
- Vario-Quick cable bracket p. 276
- Tube clamp p. 277
- Sliding door profile..... p. 278

Panels and accessories

Panels

- For doors, cladding, safety and table tops. Cut to specification!



Code No.	Type	Thickness	Version	Max. size [mm]	Weight [kg/m ²]
4018584	Makrolon	2 mm	Clear	3.050 x 2.050	2.40
4018586	Makrolon	4 mm	Clear	3.050 x 2.050	4.80
4018576	Makrolon	6 mm	Clear	3.050 x 2.050	8.00
4018579	Makrolon	6 mm	Tinted	3.050 x 2.050	8.00
4018578	Makrolon	10 mm	Clear	3.050 x 2.050	13.00
4018582	Acrylic glass	4 mm	Clear	3.050 x 2.050	4.80
4018583	Acrylic glass	4 mm	Tinted	3.050 x 2.050	4.80
4018595	Acrylic glass	5 mm	Clear	3.050 x 2.050	6.00
4018563	Acrylic glass	5 mm	Blue, transparent	3.050 x 2.030	6.00
4018575	Acrylic glass	6 mm	Clear	3.050 x 2.050	7.20
4012575	Acrylic glass	6 mm	Tinted	3.050 x 2.050	7.20
4018577	Acrylic glass	10 mm	Clear	3.050 x 2.050	13.00
4018580	Acrylic glass	10 mm	Tinted	3.050 x 2.050	13.00
4012576	Trespa	6 mm	Brown	2.050 x 2.130	8.40
4012586	Trespa	6 mm	Silver-grey	3.050 x 1.530	8.40
4012587	Trespa	10 mm	Silver-grey	3.050 x 1.530	13.00
4018570	Koematex	6 mm	White	3.050 x 2.030	4.20
4018571	Koematex	8 mm	White	3.050 x 2.030	5.60
4018572	Koematex	10 mm	White	3.050 x 2.030	6.00
4012579	Multiplex	30 mm	Untreated	2.500 x 1.500	27.00
4015573	Aluminium	2 mm	Clear anodised	2.000 x 1.000	5.40
4012582	Table top	19 mm	Grey plastic-coated, glued edges	2.000 x 2.075	14.70
4012577	Composite	6 mm	Clear anodised	3.050 x 1.500	7.30
4012511	MDF panel	6 mm	Untreated	2.000 x 2.075	8.20
4012512	MDF panel	8 mm	Untreated	2.000 x 2.075	9.20
4016576	Perforated plate	1 mm	Round holes in staggered rows, galvanised steel	1.000 x 2.000	4.30
4016577	Wire mesh 20x20	2.5 mm	Galvanised steel	2.000 x 1.000	2.40
4016578	Wire mesh 30x30	3 mm	Galvanised steel	2.000 x 3.000	3.70
4016579	Wire mesh 40x40	4 mm	Galvanised steel	2.000 x 3.000	4.70

Further versions available on request. For material descriptions, see next page.



Makrolon
Unbreakable, impact-resistant, weather-resistant, good chemical resistance



Wire mesh
Galvanised steel, cost-effective panel for safety devices



Acrylic glass
Highly transparent, low thickness tolerances, weather-resistant, unbreakable, easy to work with



Perforated plate
Galvanised sheet steel, 5 mm round hole in staggered rows



Acrylic glass
Highly transparent blue, low thickness tolerances, weather-resistant, unbreakable, easy to work with



Table top
Decorative, plastic-coated, glued edges



Trespa
Colourfast, weather-resistant, decorative, impact-, shock- and scratch-resistant, very easy to work with



Composite
Low-weight, high flexural strength, weather-resistant, very good flatness and smooth surface



Koematex
Flame-retardant, thermoformable, low static charging, very easy to work with



MDF panel
Easy to work with, cost-effective



Multiplex panel
High load-bearing strength and flexural strength, easy to work with

Panels and accessories

2-piece framing profile

■ Used for retrofitting panels

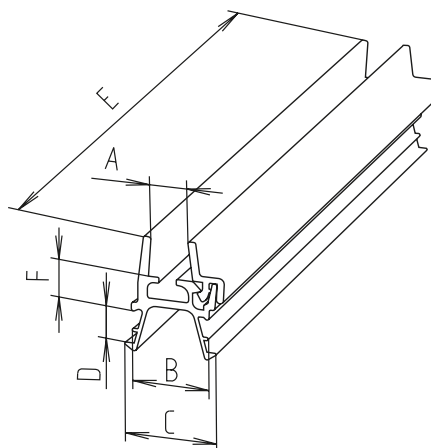
Material: Black plastic.

For a description of assembly, please see page 267 **Profile cut length:**

Frame internal dimension -33 mm (if corner pieces are used)

Panel cut length:

Frame internal dimension -5.5 mm all-round



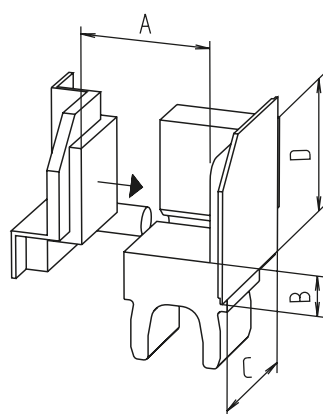
Note: Note there is another framing profile version on page 268.

Code No.	Type	A	B	C	D	E	F
4018556	Bar	4	11.8	14.2	5	2000	4
4018558	Bar	5	11.8	14.2	5	2000	4
4018560	Bar	6	11.8	14.2	5	2000	4

Corner piece

Material: Black plastic

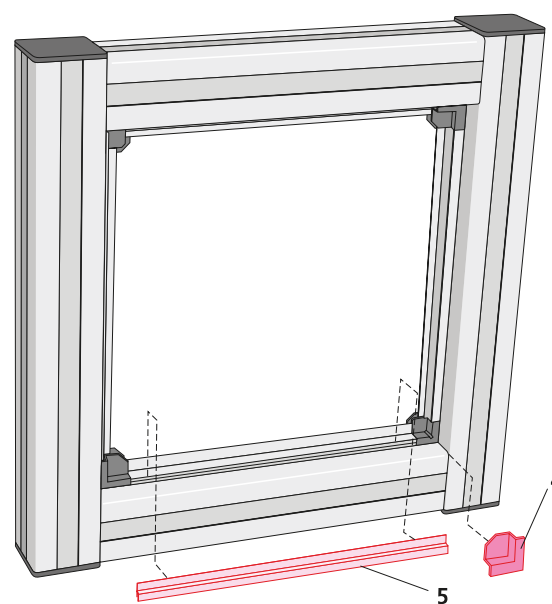
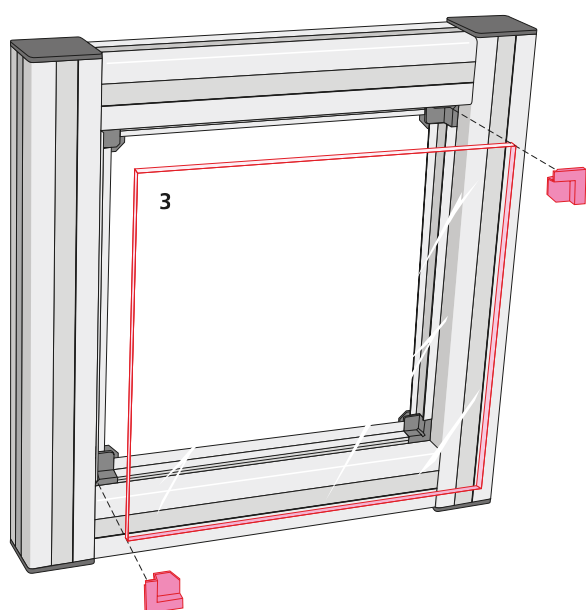
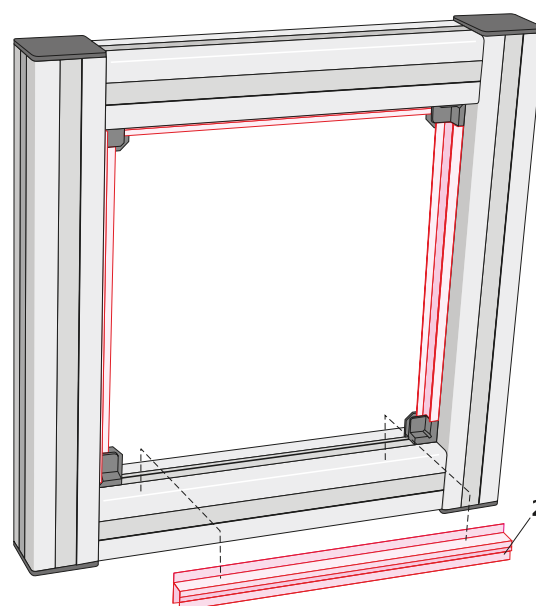
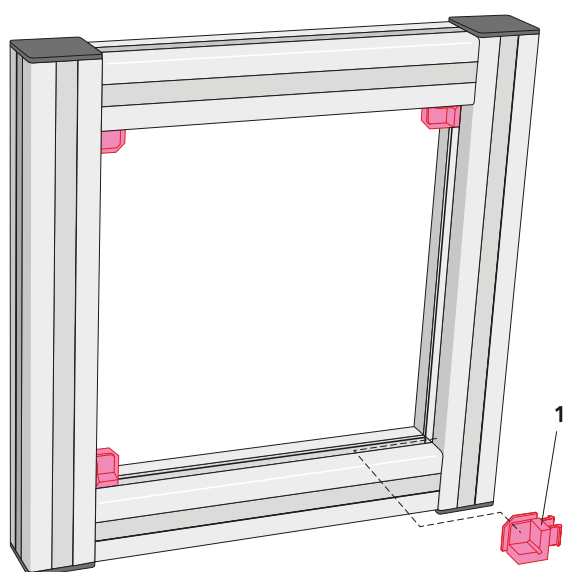
Assembly description: see page 267



Code No.	Type	A	B	C	D
4018565	1 (set of 4)	4 or 6	4	17	17

Assembly description:

1. Insert the corner piece base unit (1) into each corner.
 2. Cut framing profile (2) and press it into the profile slots.
 3. Insert panel (3) and fix with 2 corner piece covers (4) in diagonally opposite corners.
 4. Press in the cover strip of the framing profiles.
 5. Press in the remaining corner piece covers.
- All components can be undone if necessary, so that damaged panels or panes can be replaced without difficulty.



Panels and accessories

2-piece framing profile Used for retrofitting panels

- Used for retrofitting panels
- The aluminium bottom is designed to take panel thicknesses of 4, 6, 8 or 10 mm. A plastic top serves as a sealing strip and protects against dust and splashes.

Material:

Aluminium profile bottom, black plastic profile top (with soft PVC on the sealing strips)

Profile cut length:

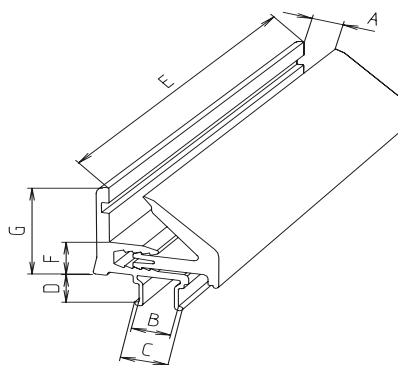
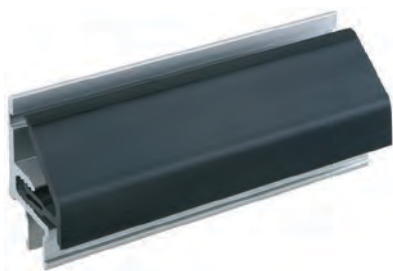
Frame internal dimension -56 mm (if corner pieces are used)

Panel cut length:

Frame internal dimension -11.5 mm all-round.

Assembly description:

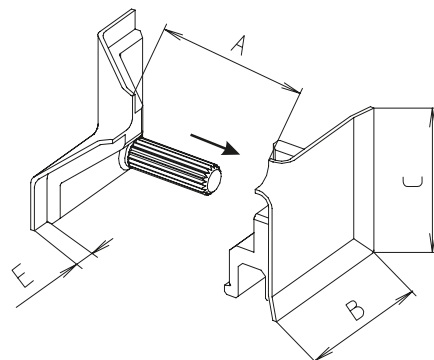
See page 267



Code No.	Type	To slot geom.	A	B	C	D	E _{Max}	F	G
4010571	Cut to size	40	4,6,8,10	9.2	11.4	6.8	2000	10	26
4010572	Bar	40	4,6,8,10	9.2	11.4	6.8	2000	10	26

Corner piece

- **Material:** Black plastic
- Assembly description:** See page 267



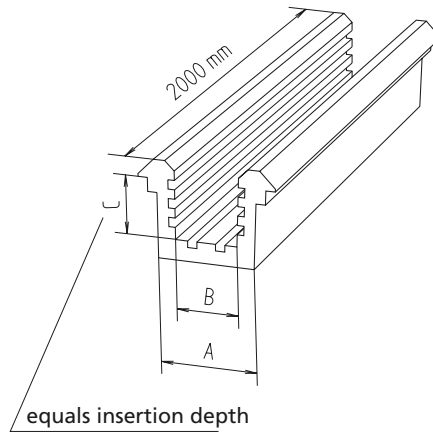
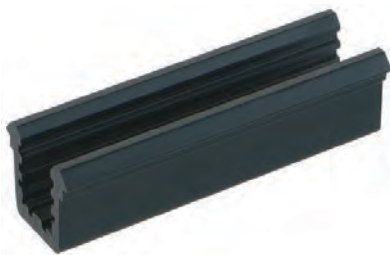
Code No.	Type	Slot geometry	A	B	C	E
4018566	1 (set of 4)	40	4-10	31	31	5



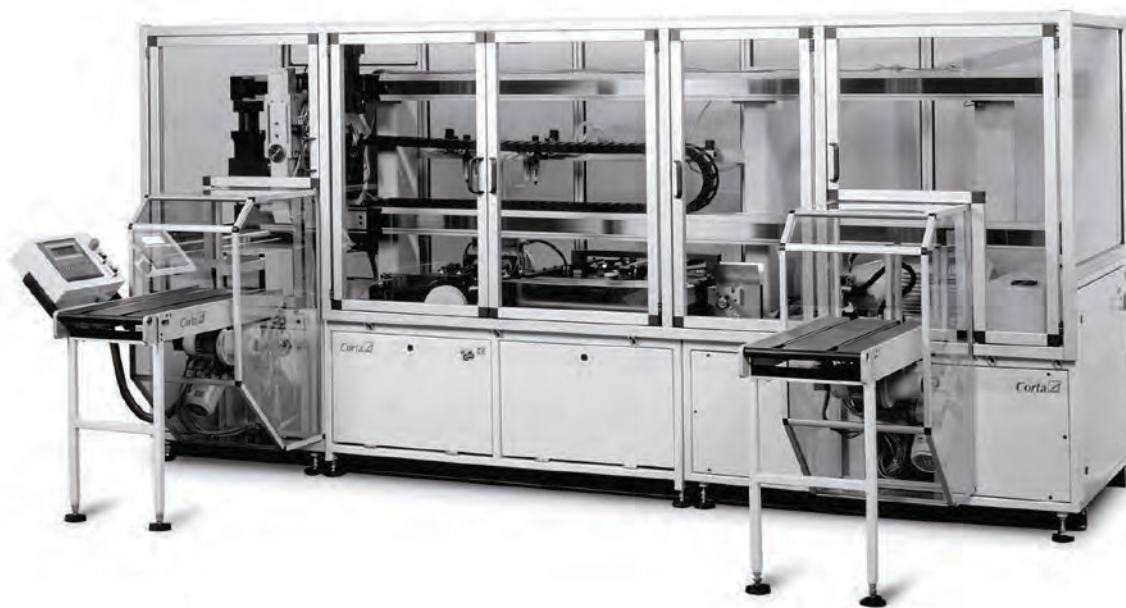
Embedding U-profile

- Panels with a thickness of 6 mm can be embedded in the slots with the plastic profile.
- The embedding U-profiles are slid into the slot before assembly.

Material: Black plastic
Panel cut length:
 Frame internal dimension +6 mm all-round.



Code No.	Type	To slot geometry	A	B	C
4010575	Bar	30 + 40	10	6	6



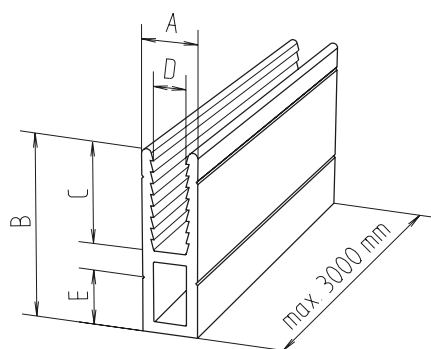
Panels and accessories

Frame profile



- Takes wire meshes (up to 30x30x3) and panels
- **Material:** Aluminium

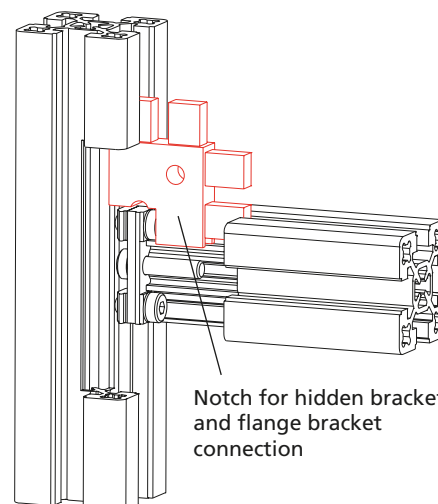
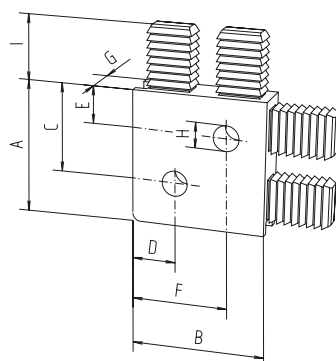
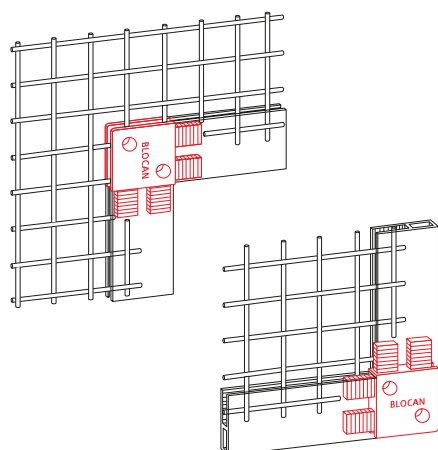
Panel cut length:
Frame internal dimension -7 mm (with 30 slot geometry -10 mm, see page 168) all-round, for fixing in the slot.



Code No.	Type	A	B	C	D	E
4015562	Cut to size	10	33	18	5.8	10
4015560	3m bar	10	33	18	5.8	10

Frame corner joint

- Connection element for the frame profile
- **Material:** Black plastic



Code No.	Type	A	B	C	D	E	F	G	H	I
4010565	1	34	34	23	11	10	24	10	6.5	15
4000566	With notch for 30 slot geometry (see diagram above)									
4010566	With notch for 40 slot geometry (see diagram above)									



Profile seal

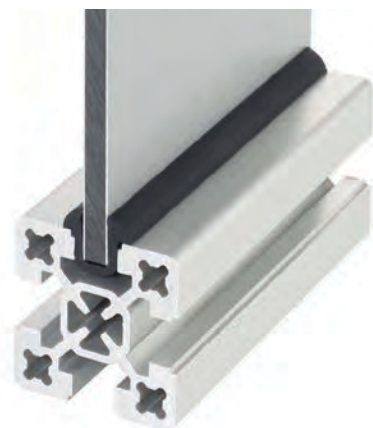
- Fixing panels in the profile slot

Assembly: Ideally, the seal is first laid around the panel and then placed into the profile slot.

Material: SBR, 60 Sh, black

Panel cut length:
Frame internal dimension +6 mm all-round.

Version for 2-sided sealing



Code No.	Sealing	For panel thickness	Slot geometry	Max. length
4018515	2-sided	6 mm	40	60 m

Version for 1-sided sealing



Assembly: Insert the panel into the profile slot. Then press the profile seal into the slot by hand or using a blunt object.

Material: Black EPDM

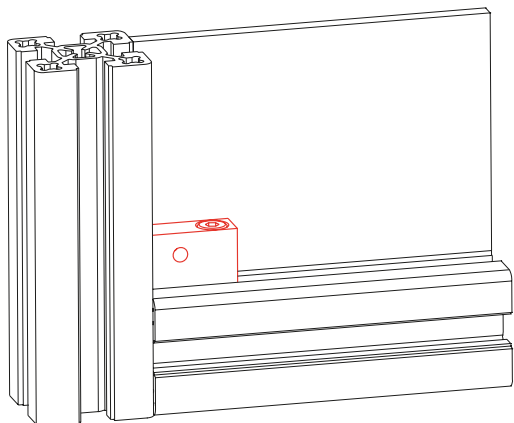
Code No.	Sealing	For panel thickness	Slot geometry	Length
4018513010000	1-sided	2 - 4 mm	40	10 m
4018513050000				50 m
4018513150000				150 m
4218571	1-sided	* For all clamping profiles	30, 40	max. 100 m
4018514	1-sided	6 mm	40	max. 200 m

*The clampable wall thickness is reduced by 2 mm

Panels and accessories

Block joint

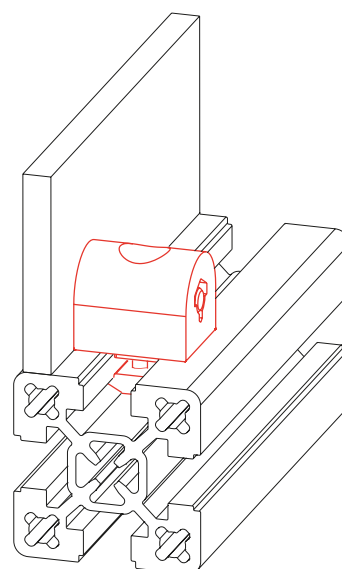
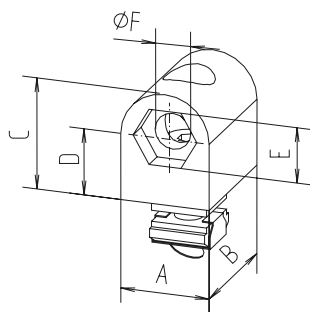
■ For fixing panels to profiles



Block joint -L-

Material:
Black plastic, galvanised steel parts

Includes:
Complete fixing set for profile assembly.



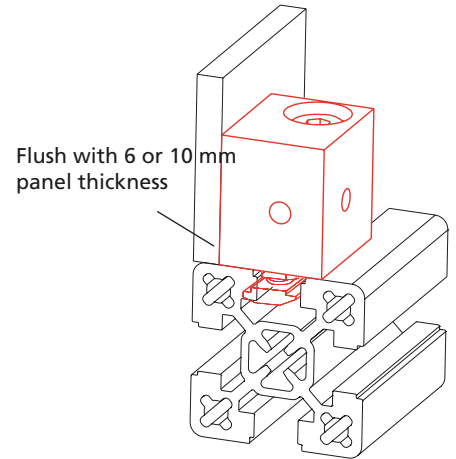
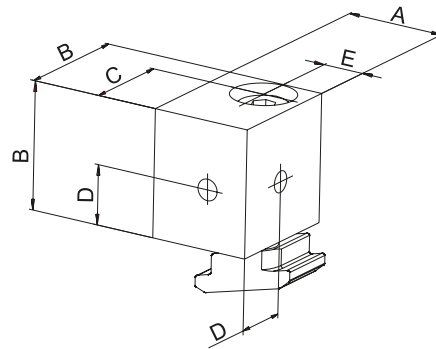
[mm]

Code No.	Type	Slot geometry	A	B	C	D	E	F
4008122	Block joint -L-	30	20	24	20	10	8	5.5
4018122	Block joint -L-	40	20	24	20	10	8	5.5
4004131	Fixing screw for panel	Wall thickness 2-8 mm	Socket head button screw M5x30 ISO 7380, Hexagon nut DIN 439					

Block joint -G-

Material:
Vibration finished aluminium,
galvanised steel parts

Includes:
Complete fixing set for profile as-
sembly.



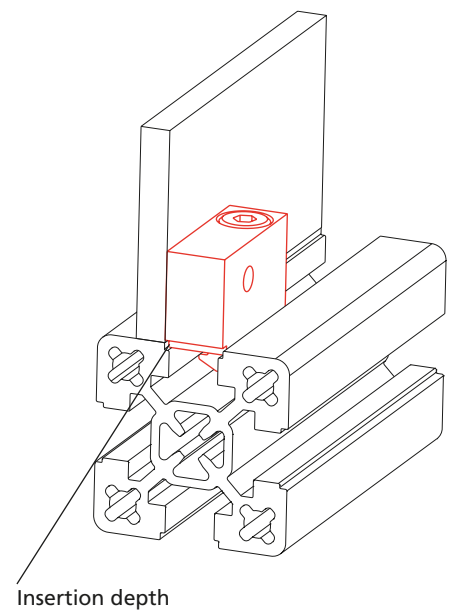
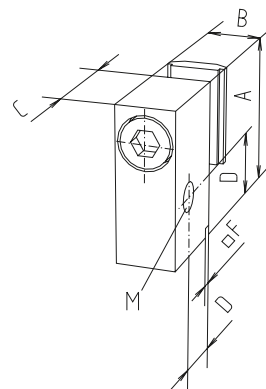
								[mm]
Code No.	Type	Slot geometry	A	B	C	D	E	
4015121	M6	40	24	30	22	14	10	
4025122	M8	40	24	30	22	14	10	
4085121	M6 for profile 50	40	34	30	22	14	15	
4085122	M8 for profile 50	40	34	30	22	14	15	

Block joint -K-

Material:
Vibration finished aluminium,
galvanised steel parts

Includes:
Complete fixing set for profile as-
sembly.

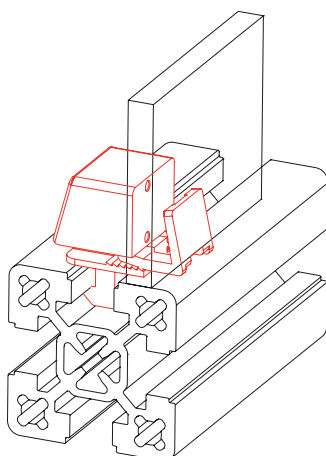
The insertion depth in the profile
is 1.5 mm.



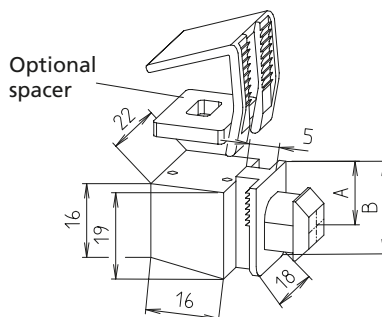
									[mm]
Code No.	Type	Slot geometry	A	B	C	D	F	M	
4005123	M6	30	32	12	20	12.5	2	M6	
4015123	M6	40	32	12	20	12.5	2	M6	

Panels and accessories

Vario-Quick holding block R



- For retrofitting a wide variety of panels without screws in an existing profile structure
- Fixation by means of toothed snap-in clips. Spacers allow for different distances from the profile edge



Clamping range for panels:
1-10 mm.

Panel cut length:

Frame internal dimension -6 mm all-round.

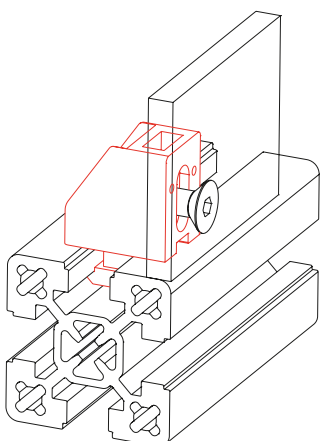
Material: Black plastic

Includes:

1 pack of 10

Code No.	Type	Version	[mm]	
			A	B
4008123	Holding block R	30 slot geometry	5.5	20
4018123	Holding block R	40 slot geometry	8.5	20
4008132	Spacer R	2 mm	-	-
4008133	Spacer R	3 mm	-	-
4008135	Spacer R	5 mm	-	-

Vario-Quick holding block S



- For retrofitting a wide variety of panels in an existing profile structure
- The panel is screwed to the holding block.

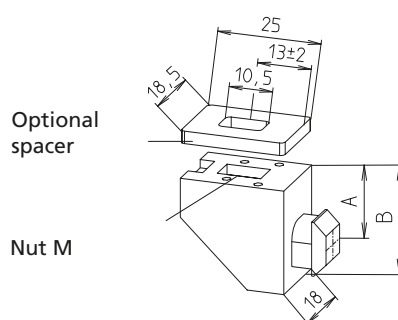
■ Spacers allow for different distances from the profile edge

Material: Black plastic

Galvanised nut

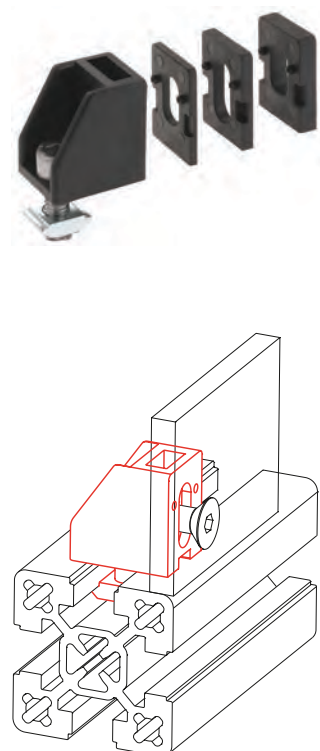
Includes:

1 pack of 10



Code No.	Type	Version	[mm]		
			A	B	M
4008164	Holding block S	30 slot geometry	5	18	M4
4018164	Holding block S	40 slot geometry	10	25	M4
4008124	Holding block S	30 slot geometry	5	18	M6
4018124	Holding block S	40 slot geometry	10	25	M6
4018132	Spacer S/L	2 mm	-	-	-
4018133	Spacer S/L	3 mm	-	-	-
4018135	Spacer S/L	5 mm	-	-	-

Vario-Quick holding block L

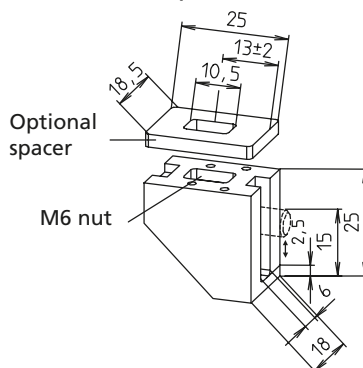


- For fixing various panels in an profile structure.
- The panel is screwed to the holding block.
- One fixing set connects one profile. The slot allows different panel thicknesses to be fixed without spacers.

Material: Black plastic, galvanised nut

Includes:
1 pack of 10

The Order No. includes one complete fixing set (socket head cap screw, slot stone -F-) for mounting on profile

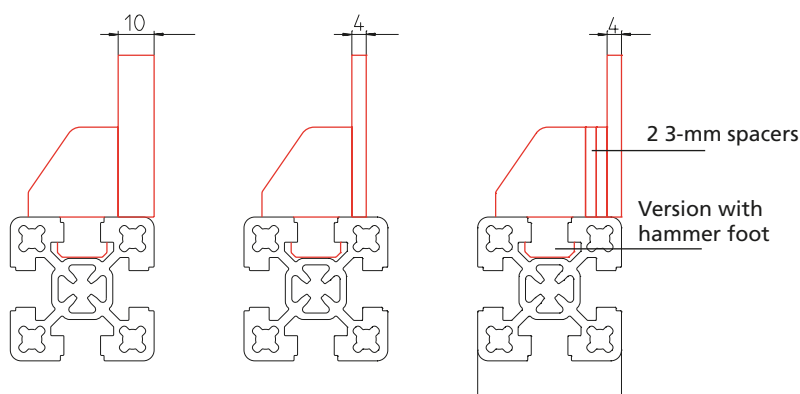


Code No.	Type	Version
4008126	Holding block L	30 slot geometry
4018126	Holding block L	40 slot geometry
4018132	Spacer S/L	2 mm
4018133	Spacer S/L	3 mm
4018135	Spacer S/L	5 mm

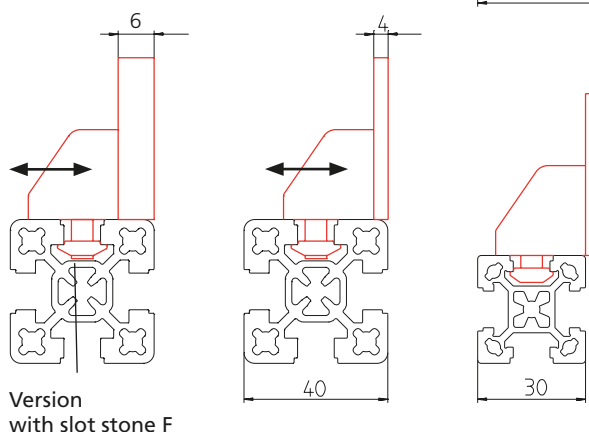
[mm]

Application examples:

- **Vario-Quick holding block R/S**
Profile 40 combined with panel thickness 4 and 10 mm. Compensation using spacers (choice of 2, 3 or 5 mm)



- **Vario-Quick holding block L:**
Profile 40 combined with panel thickness 4 and 6 mm. Compensation using slot – if necessary, using spacers (choice of 2, 3 or 5 mm)



Version with slot stone F

Panels and accessories

Vario-Quick holding block K/ KK (cable bracket)

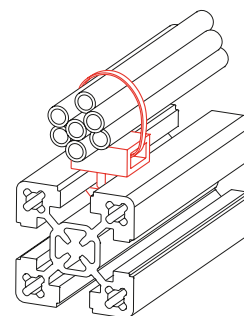
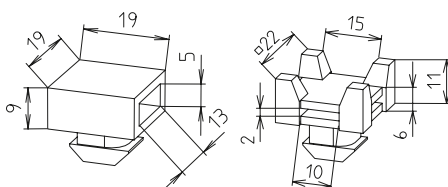
- For fixing cables and hoses
- It is possible to insert it into the profile slot retrospectively

Material: Black plastic
Includes:
 1 pack of 10

Type K



Type KK

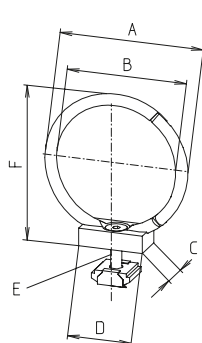


Code No.	Type	Version
4008125	Holding block K	30 slot geometry
4018125	Holding block K	40 slot geometry
4018127	Holding block KK	40 slot geometry

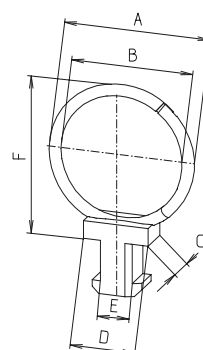
Vario-Quick cable bracket

- For routing cables and hoses
- Simply screwed into the slot
- Can be opened and reused without any problem

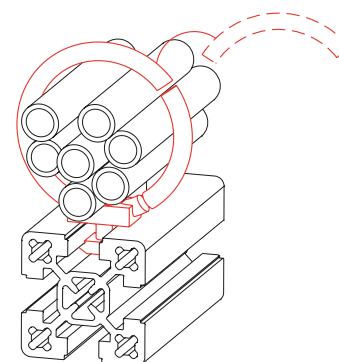
Material: Black plastic
Includes:
 1 pack of 10



Slot stone (N) version



Hammer foot (HF) version



[mm]

Code No.	Type	Slot geometry	A	B	C	D	E	F
4008140	15 HF	30	28.5	17	10	19	9.5	28.5
4018140	15 HF	40	28.5	17	10	19	9.5	28.5
4008144	15 N	30	28.5	17	12	20	M 5	28.5
4018144	15 N	40	28.5	17	12	20	M 5	28.5
4008141	25 HF	30	36.5	25	10	19	9.5	36.5
4018141	25 HF	40	36.5	25	10	19	9.5	36.5
4008145	25 N	30	36.5	25	12	20	M 5	36.5
4018145	25 N	40	36.5	25	12	20	M 5	36.5
4008142	35 HF	30	47.5	35	10	19	9.5	47.5
4018142	35 HF	40	47.5	35	10	19	9.5	47.5
4008146	35 N	30	47.5	35	12	20	M 5	47.5
4018146	35 N	40	47.5	35	12	20	M 5	47.5
4008143	45 HF	30	56.5	45	10	19	9.5	56.5
4018143	45 HF	40	56.5	45	10	19	9.5	56.5
4008147	45 N	30	56.5	45	12	20	M 5	56.5
4018147	45 N	40	56.5	45	12	20	M 5	56.5

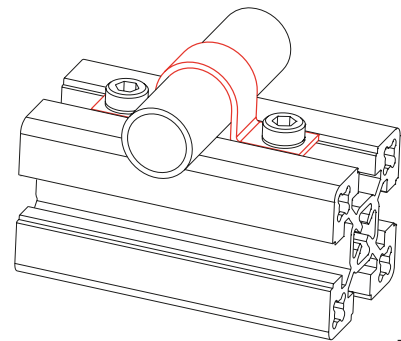
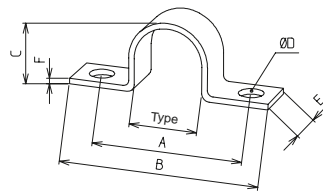


Tube clamp (stainless steel)

- For fixing tubes, hoses and cables

Material: Stainless steel, galvanised fixing set

Includes:
1 pack of 10



[mm]

Code No.	Type	A	B	C	D	E	F
4010540	Ø6	28	41.5	6.8	6.5	12	1
4010541	Ø8	28	41.5	8.5	6.5	12	1
4010542	Ø10	33	46	10.5	6.5	12	1
4010543	Ø12	33	46	13	6.5	12	1
4010544	Ø14	35	48	15	6.5	12	1
4010545	Ø18	40	53	19.5	6.5	12	1.5
4010546	Ø20	40	53	21.2	6.5	12	1.5
4010547	Ø21.3	40	53	22.5	6.5	12	1.5
4010548	Ø27	47	60	28	6.5	12	1.5

Fixing set (for 10 tube clamps)

4000549	30 slot geometry
4010549	40 slot geometry

Panels and accessories

Sliding door profile

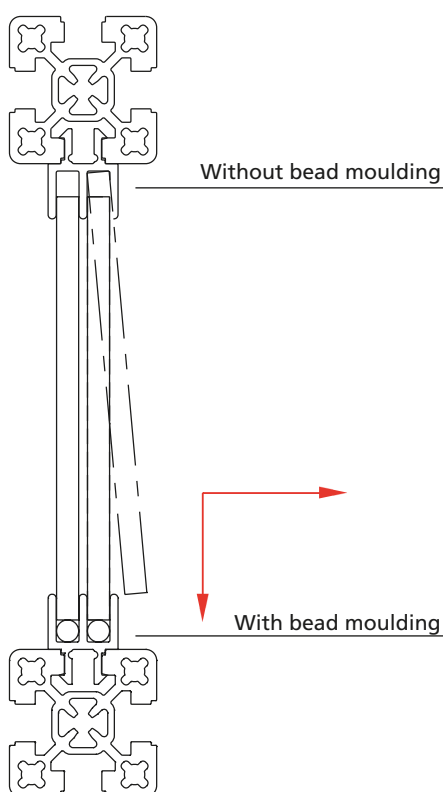
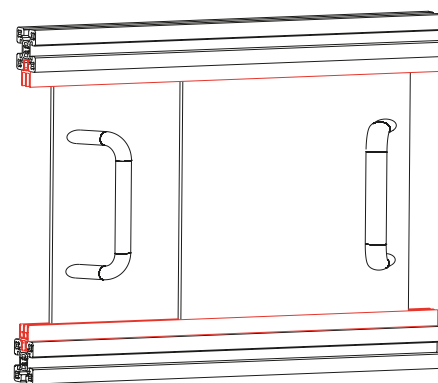
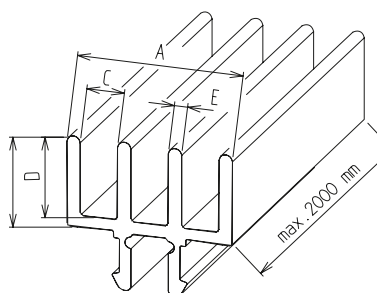
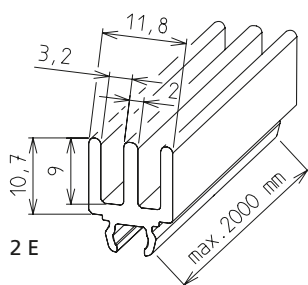
- The sliding door profile is inserted into the longitudinal slot of the BLOCAN® profile. Then the bead moulding is placed in the bottom sliding door profile. As illustrated in the diagram, the panels can now be inserted.

Material: Black plastic

Panel cut length:

Frame internal height -17 mm for 6 mm panels and -22 mm for 8 mm panels.

For sliding doors with a profile frame, the sliding piece on page 268 or the roller module in the safety guard section on page 432 must be used.



Code No.	Type	Slot geometry	A	B	C	D	E
With bead moulding							
4000552	2E, cut to size	30	19	15	6.2	12.6	2
4000550	2E, bar						
4010552	2E, cut to size	40	19	15	6.2	12.6	2
4010550	2E, bar						
4010554	2E, cut to size	40	28	17.5	8.3	15	6
4010553	2E, bar						

Code No.	Type	Slot geometry	A	B	C	D	E
On request	3E, cut to size	40	27.4	15	6.2	13	2
On request	3E, bar						
Without bead moulding							
4000553	2E, cut to size	30	19	15	6.2	12.6	2
4000551	2E, bar						
4010555	2E, cut to size	40	19	15	6.2	12.6	2
4010551	2E, bar						
4010557	2E, cut to size	40	28	17.5	8.3	15	6
4010556	2E, bar						
On request	3E, cut to size	40	27.4	15	6.2	13	2
On request	3E, bar						

Feet, castors and accessories

Versions



Foot -plastic-



Levelling foot



Eye bolt



Connecting plate
for foot



Base angle -steel-



Base angle -aluminium-



Base plate



Clamp FKV / FV



Base bracket



Base clamp FVV



Steering roller



Fixed castor



Foot rest FSH

Table of contents

Feet, castors and accessories

- Foot -plastic- p. 282
- Levelling foot p. 283
- Eye bolt..... p. 283
- Connecting plate for foot p. 284
- Base angle -steel- p. 286
- Base angle -aluminium- p. 287
- Base plate p. 288
- Clamp FKV / FV p. 289
- Base bracket p. 289
- Base clamp FVV p. 290
- Steering roller p. 292
- Fixed castor..... p. 293
- Foot rest FSH p. 294

Feet, castors and accessories

Foot –plastic–

- Visually attractive
- Alternative to conventional levelling feet
- Height adjustment without tools

Material: Black plastic

Includes:

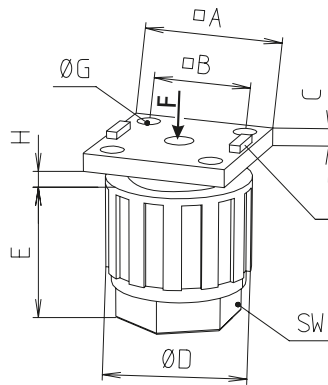
Complete foot with fastenings (galvanised) for connection to one profile.



Fixing in the slot



Fixing to the face



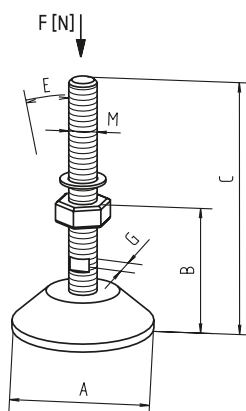
H = height adjustment

Centring pin
(if necessary, can be removed with a pliers)

[mm]

Code No.	Slot geometry	A	B	C	D	E	G*	Max. H	Wrench size	F [N]
Fixing in the slot and to the face of the profile										
4008301	30	30	20.5	5	30	29.5	4.5	15	22	1000
4018301	40	40	28	5	40	39.5	6.6	23	30	1200

Levelling foot

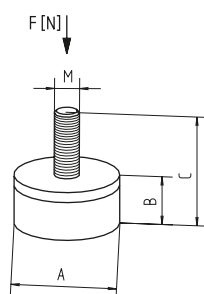
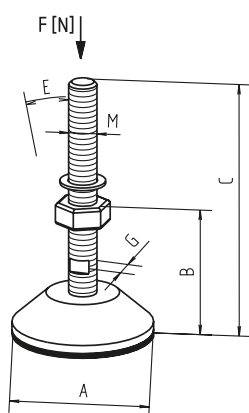


Material:
Galvanised steel,
black plastic pivot plate.
Fixation with foot connecting
plates.
See page 284.

[mm]

Code No.	Type	Version	A	B	C	M	E	G	F [N]
4006304	M8		47	20	52	M8	15°	12	1500
4016302	M10		50	25	93	M10	15°	12	3000
4016303	M12		80	24	117	M12	15°	12	7000
4026301	M16	Corrosion-resist.	80	29	156	M16	15°	13	10000
4046301	M20		60	39	185	M20	15°	16	10000
4696301	M20		100	39	185	M20	15°	16	10000
4696302	M20		123	61	207	M20	15°	16	20000

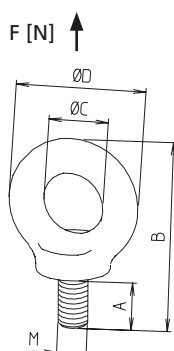
Levelling foot with vibration absorber



Material:
Galvanised steel
Black plastic pivot plate.
Fixation with foot connecting
plates.
See page 284

Code No.	Type	Version	A	B	C	M	E	G	F [N]
4006311	M6		25	12	28	M6	–	–	520
4016311	M8		30	15	33	M8	–	12	760
4016312	M10		50	25	94	M10	15°	12	3000
4016313	M12		80	26	119	M12	15°	12	7000
4026311	M16	Corrosion-resist.	80	32	159	M16	15°	13	10000
4046311	M20		60	42	188	M20	15°	16	10000
4696311	M20		100	39	188	M20	15°	16	10000
4046312	M20		123	70	215	M20	15°	16	10000

Eye bolt



Material: Galvanised steel
C 15 fixation with foot connecting
plates.
See page 284

[mm]

Code No.	Type	Version	A	B	C	D	M
4000300	M6	DIN 580	12	39	13,5	28	M6
4000301	M8	DIN 580	13	49	20	36	M8
4000302	M10	DIN 580	17	62	25	45	M10
4000303	M12	DIN 580	20,5	73,5	30	54	M12

Feet, castors and accessories

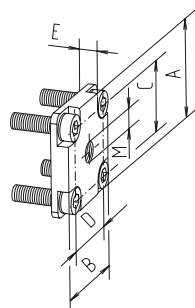
Connecting plate for levelling feet



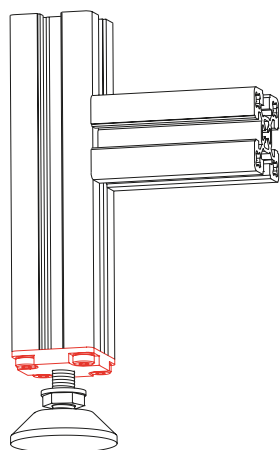
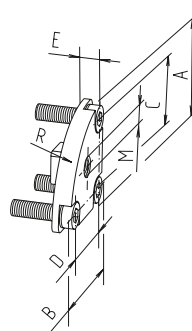
- Connecting plate with tapped hole for feet.
- Also suitable for taking eye bolts.

Includes:
Connecting plate incl. fastenings

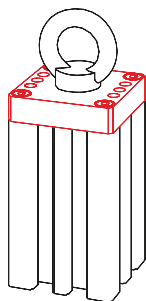
(1) Die-cast aluminium



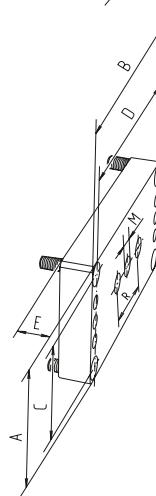
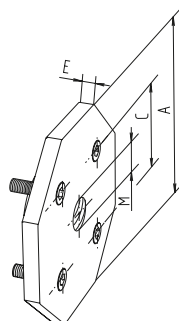
(2) Aluminium



For feet and eye bolts, please see page 283



(3) Gravity die-cast aluminium



(4) Die-cast aluminium

Code No.	Type	Connec- tion	See figure	A	B	C	D	E	M	R
4006401	W/KLW 30-30	M6	2	30	30	–	–	6	M6	R 29
4006402	W/KLW 30-45	M6	2	30	30	–	–	6	M6	R 29
4006403	W/KLW 30-60	M6	2	30	30	–	–	6	M6	R 29
4006404	W/KLW 30-90	M6	2	30	30	–	–	6	M6	R 29
4034404	F-GG 40x80	M8	4	40	80	28	68	7	M8	–

[mm]

[mm]

Code No.	Type	Connec- tion	See figure	A	B	C	D	E	M	R
4034402	F-GG 40x80	M10	4	40	80	28	68	7	M10	–
4034403	F-GG 40x80	M12	4	40	80	28	68	7	M12	–
4016401	W/KLW 40-30	M8	2	40	40	–	–	8	M8	R 37
4016402	W/KLW 40-45	M8	2	40	40	–	–	8	M8	R 37
4016403	W/KLW 40-60	M8	2	40	40	–	–	8	M8	R 37
4016404	W/KLW 40-90	M8	2	40	40	–	–	8	M8	R 37
4085401	F-G 50x50/F-GG 50x50/F-2G 50x50/F-3G 50x50	M8	1	50	50	38	38	7	M8	–
4085402	F-G 50x50/F-GG 50x50/F-2G 50x50/F-3G 50x50	M10	1	50	50	38	38	7	M10	–
4224402	F-G 60x60/F-GG 60x60/F-2G 60x60/F-3G 60x60	M8	1	60	60	43/48	43/48	6.5	M8	–
4224403	F-G 60x60/F-GG 60x60/F-2G 60x60/F-3G 60x60	M10	1	60	60	43/48	43/48	6.5	M10	–
4044404	F-G 80x80/F-GG 80x80/F-2G 80x80/F-3G 80x80	M10	1	80	80	68	68	8	M10	–
4044405	F-G 80x80/F-GG 80x80/F-2G 80x80/F-3G 80x80	M12	1	80	80	68	68	8	M12	–
4044402	F-G 80x80/F-GG 80x80/F-2G 80x80/F-3G 80x80	M16	1	80	80	68	68	8	M16	–
4044403	F-G 80x80/F-GG 80x80/F-2G 80x80/F-3G 80x80	M20	1	80	80	68	68	8	M20	–
4054402	8x40	M16	3	97	–	45	–	8	M16	–
4054403	8x40	M20	3	97	–	45	–	8	M20	–

Feet, castors and accessories

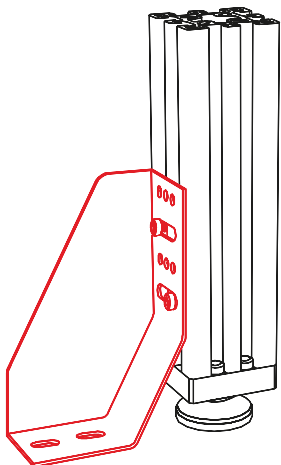
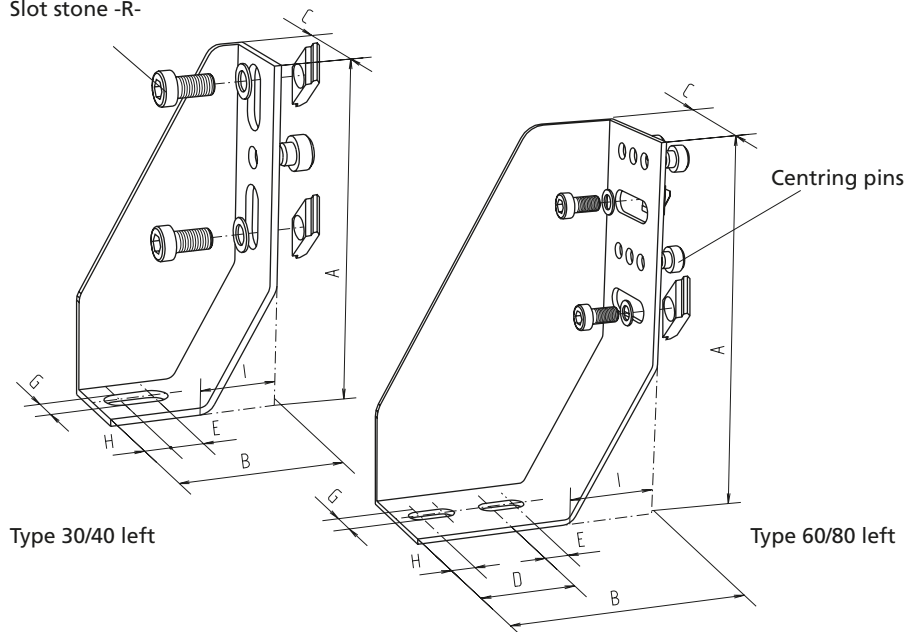
Base angle -sheet steel-

- For fixing frames, work tables and machines
- Angle bracket can be retro-spectively fixed to the profile with slot stone -R-
See page 248.

Material:
Sheet steel St 37, 3 mm thick, black textured paint.
Includes: Complete set including fastenings



Socket head cap screw
M8x12, DIN 7984
Slot stone -R-



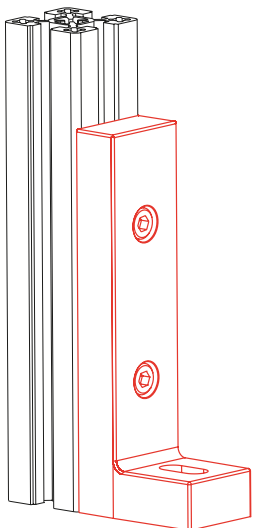
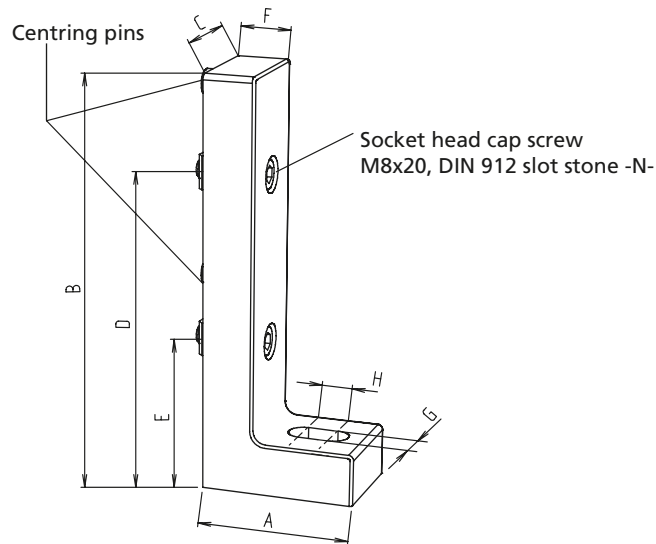
Code No.	Type	A	B	C	D	E	G	H	I
4001300	30/40 left	100	50	28	-	10	9	-	18
4001301	30/40 right	100	50	28	-	10	9	-	18
4021300	60/80 left	150	100	48	40	10	9	10	32
4021301	60/80 right	150	100	48	40	10	9	10	32
4016605	Floor fixing M8x60								

Base angle –aluminium–

- For fixing frames, work tables and machines
- Angle bracket is fixed to the profile with slot stones -N-. See page 248

Material:
Black powder-coated gravity die-cast aluminium

Includes: Complete set including fastenings



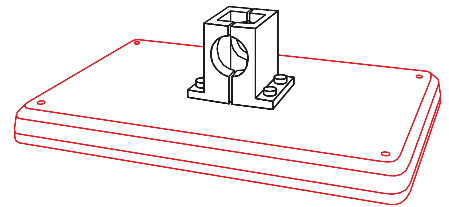
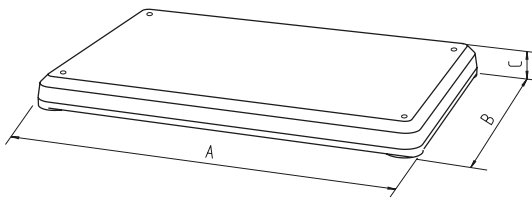
Code No.	Type	A	B	C	D	E	F	G	H
4011302	40 slot geometry	60	160	40	120	55	20	11	12
4016604	Floor fixing M8x115								

Feet, castors and accessories

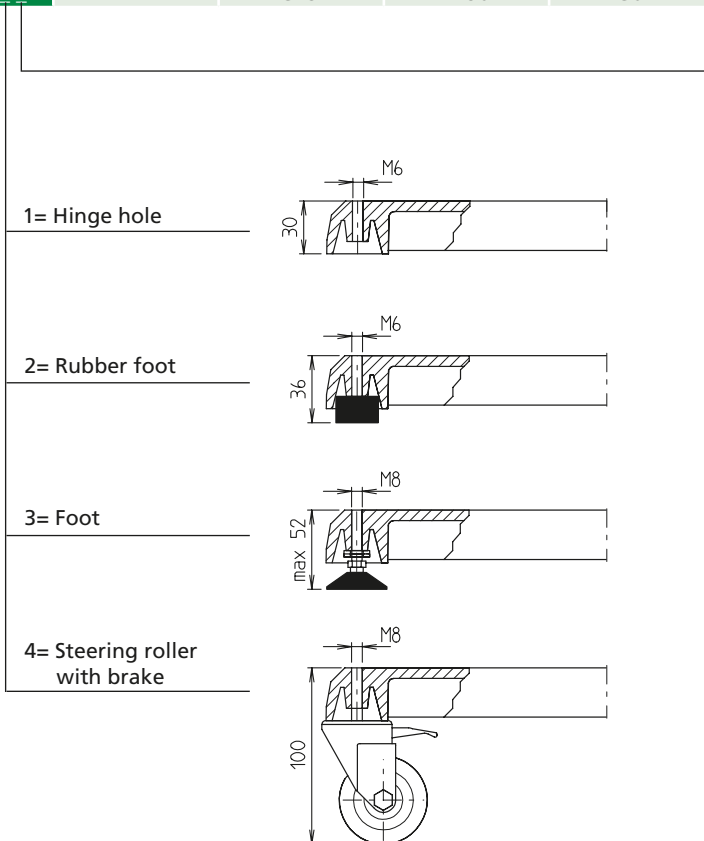
Base plate

- Optionally available with hole, rubber foot, foot or steering roller
- Optional filling (steel plate) available to raise the overturning moment

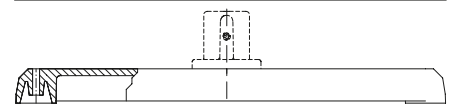
Material:
Vibration finished gravity die-cast aluminium
(powder-coating available on request)



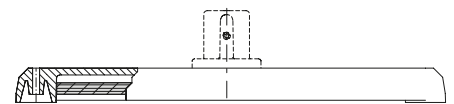
Code No.	Type	A	B	C
230 000 100 20	FP	375	250	30



_ = Without filling,
overturning moment 3 Nm



Y= Cavity with steel plate (m= 4.6 kg),
Overturning moment 6 Nm

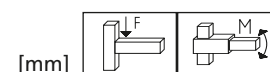
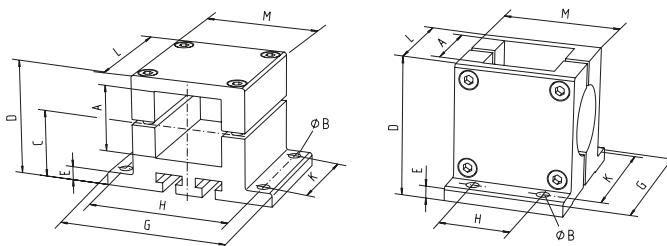




Clamp

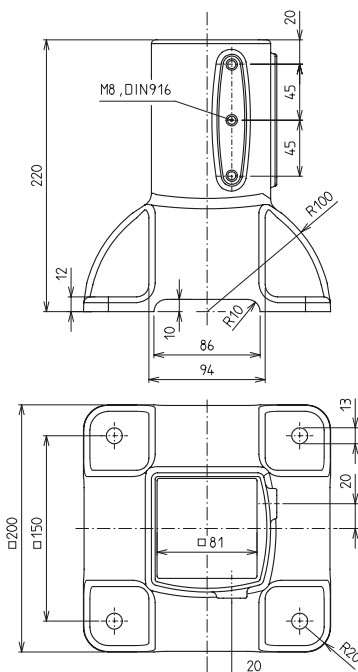


Material: Aluminium, stainless steel fixing
For further clamping elements, please refer to the catalogue "Connecting Technology"

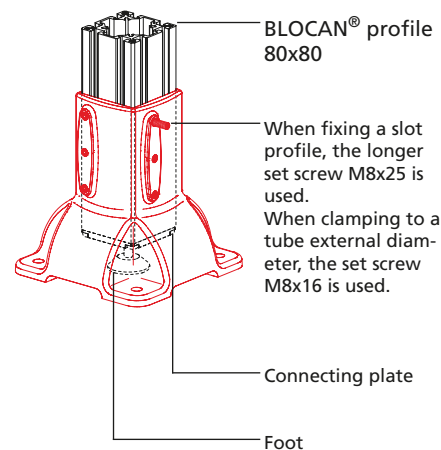


Code No.	Type	A	Ø B	C	D	E	G	H	K	L	M	F [N]	M [Nm]
52300005030	FKV 30	30.2	7	30	51	6	84	70	40	56	56	2700	310
52400005030	FKV 40	40.3	7	40	68	8	97	83	54	68	68	2700	770
52500005030	FKV 50	50.4	9	50	85	10	125	105	65	85	85	-	-
52600005030	FKV 60	60.3	9	62.5	111	12	145	120	80	105	105	-	-
52800005030	FKV 80	80.4	11	80	136	16	170	148	80	126	126	-	-
53300005030	FV 30	30.2	7	-	58	6	70	28	56	42	56	3100	300
53400005030	FV 40	40.3	7	-	74	8	85	40	70	56	68	3500	980
53500005030	FV 50	50.4	9	-	92	10	110	50	90	70	84	-	-
53600005030	FV 60	60.4	9	-	112.5	12	137	80	120	97	105	-	-
53800005030	FV 80	80.4	11	-	142	16	156	80	135	112	126	-	-

Base bracket BAK-80



Material: Silver powder-coated gravity die-cast aluminium, stainless steel fixing



Code No.	Type	Version
4040501	Base bracket BAK-80	With set screw M8x25 DIN916-A
4049500	Set screws M8x16 DIN916-A	Pack of 6 set screws
4016302	Levelling foot M10	Length 93 mm, plate Ø 50 mm
4019302	Levelling foot M10, corrosion-resistant	Length 93 mm, plate Ø 50 mm
4044404	Connecting plate for levelling foot	For BLOCAN® profile size 80
4016606	Fixing bolt	8x60, hole diameter 12 mm

Feet, castors and accessories

Base clamp FVV



- Base clamp to take size 40 BLO-CAN® profiles or size 40 square tubes.
- Set screws can be used to compensate for unevenness. Supporting shims, placed under the foot, prevent the set screws from digging into the floor.

Material: ground finished die-cast aluminium, zinc plated fixing

Supporting/Levelling shims

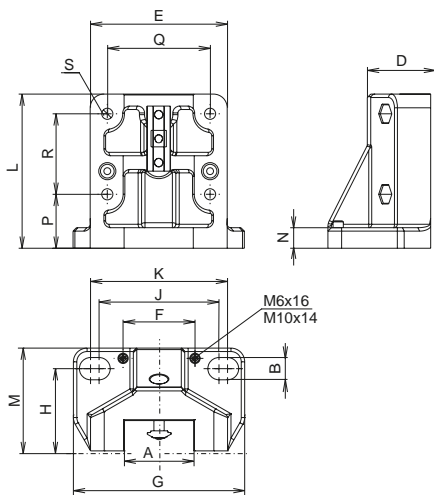


- The levelling shims give the foot clamp a full contact surface on uneven ground.

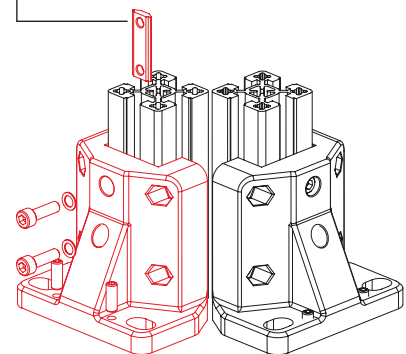
Material: zinc plated steel

Code No.	Type	Includes
4014301	Levelling shims for FVV 40	4 1-mm shims, 1 0.5-mm shim

FVV-NH



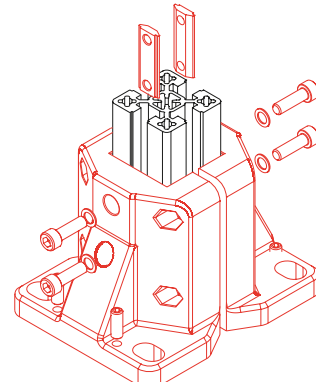
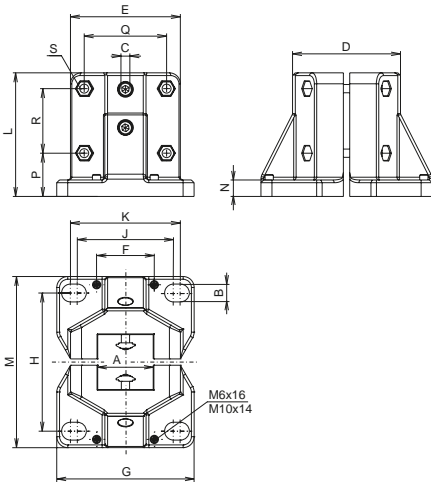
Clamping using slot stone -L-



Code No.	Type	A	C	D	E	F	G	H	J	K	L	M	N	P	Q	R	S	Weight
4014310	FVV-NH 40	40.4	12.5	39.5	80	42	100	50	70	80	90	62.5	12	31.5	60	47	Ø6.5	399 g

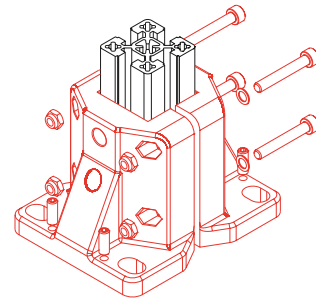
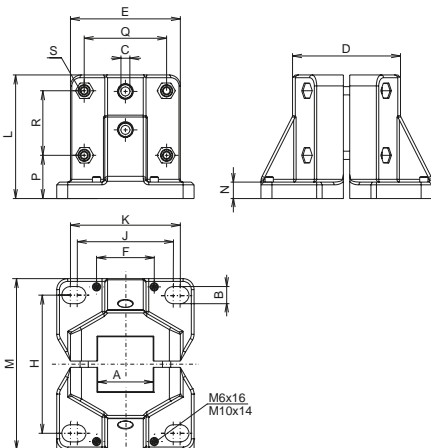


FVV-N



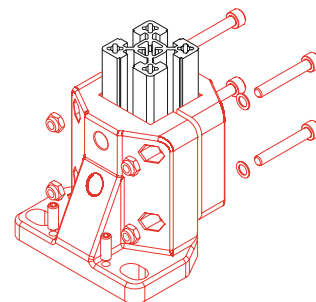
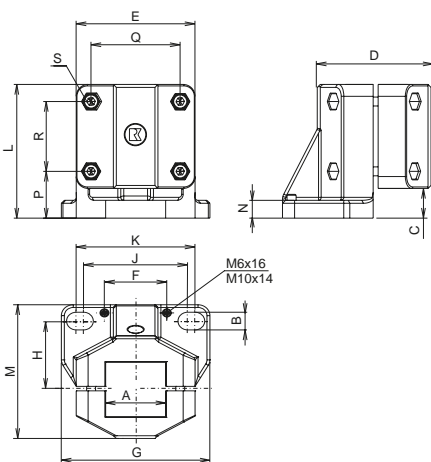
Code No.	Type	A	B	C	D	E	F	G	H	J	K	L	M	N	P	Q	R	S	Weight
4014311	FVV-N 40	40.4	12.5	6.5	79	80	42	100	100	70	80	90	125	12	31.5	60	47	M6x45	797 g

FVV-S



Code No.	Type	A	B	C	D	E	F	G	H	J	K	L	M	N	P	Q	R	S	Weight
4014312	FVV-S 40	40.4	12.5	6.5	79	80	42	100	100	70	80	90	125	12	31.5	60	47	M6x45	805 g

FVV-D



Code No.	Type	A	B	C	D	E	F	G	H	J	K	L	M	N	P	Q	R	S	Weight
4014313	FVV-D 40	40.4	12.5	20	75	80	42	100	50	70	80	90	98	12	31.5	60	47	M6x45	633 g

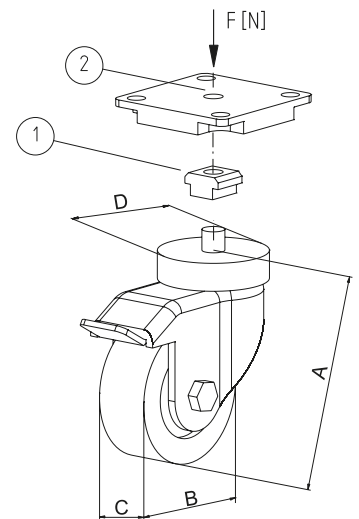
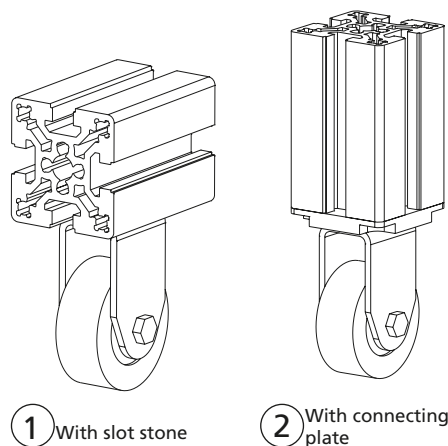
Feet, castors and accessories

Lockable steering roller



■ The steering roller mobilises frames, tables and superstructures. It is available with a 1-hole fixing or with fixing plate. In addition, each version has a combined roller and swivel locking device. Both the roller and the swivel head have ball bearings, which ensures that they run smoothly even under load. The rollers are not electrically conductive.

Material: Galvanised steel
Includes: Depending on the version, with connecting plate or slot stone.



Code No.	Type	Suitable for:	A	B	C	D	Resist. F [N]
4016646	With slot stone	30 slot geometry (1)	70	50	20	39	400
4016648	With slot stone	40 slot geometry (1)	70	50	20	39	400
4086644	F-G 50x50/F-GG 50x50/F-2G 50x50/F-3G 50x50	F-profiles 50 (2)	70	50	20	39	400
4226644	F-G 60x60/F-GG 60x60/F-2G 60x60/F-3G 60x60	F-profiles 60-L (2)	100	75	25	39	600
4036644	F-GG 40x80	Profiles 40x80 (2)	70	50	20	39	400
4046644	F-G 80x80/F-GG 80x80/F-2G 80x80	Profiles 80 (2)	100	75	25	39	600
4046648	F-G 80x80/F-GG 80x80/F-2G 80x80	Profiles 80 (2)	133	100	32	53	900
4056644	8x40	Profiles 8x40 (2)	100	75	25	39	600

[mm]

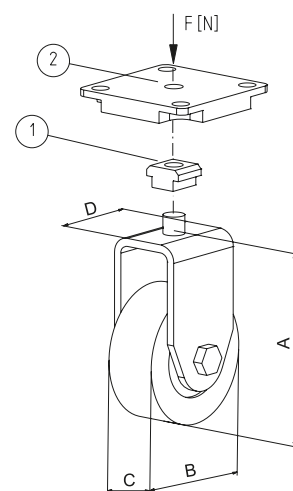
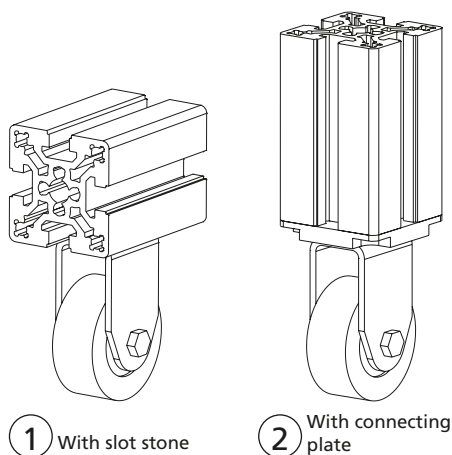
Fixed castor



- The fixed castor is the ideal complement to the steering roller. Combining 2 fixed castors with steering rollers makes it easier to manoeuvre the superstructure. Fixed castors should be mounted on the front end. The rollers are not electrically conductive.

Material: Galvanised steel

Includes: Depending on the version, with connecting plate or slot stone.



Code No.	Type	Suitable for:	A	B	C	D	Resist. F [N]
4006647	With slot stone	30 slot geometry (1)	70	50	20	34	400
4016647	With slot stone	40 slot geometry (1)	70	50	20	34	400
4086645	F-G 50x50/F-GG 50x50/F-2G 50x50/F-3G 50x50	F-profiles 50 (2)	70	50	20	34	400
4226645	F-G 60x60/F-GG 60x60/F-2G 60x60/F-3G 60x60	F-profiles 60-L (2)	100	75	25	34	600
4036645	F-GG 40x80	Profiles 40x80 (2)	70	50	20	34	400
4046645	F-G 80x80/F-GG 80x80/F-2G 80x80	Profiles 80 (2)	100	75	25	34	600
4046649	F-G 80x80/F-GG 80x80/F-2G 80x80	Profiles 80 (2)	133	100	32	53	900
4056645	8x40	Profiles 8x40 (2)	100	75	25	34	600

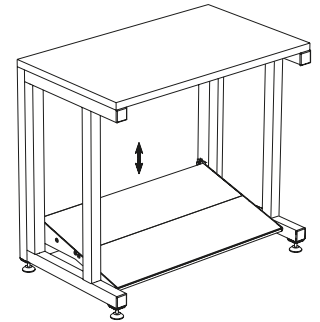
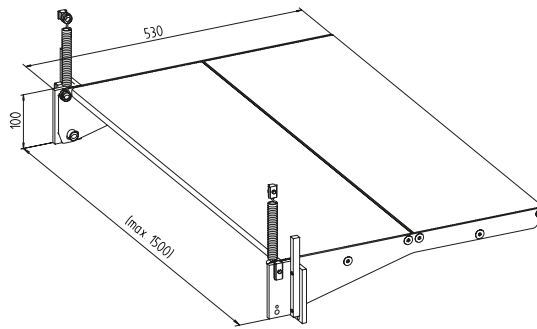
[mm]

Feet, castors and accessories

Foot rest FSH

- Individual, infinitely variable adjustment to different persons
- Height adjustment without time-consuming assembling by means of spring adjustment

Material: Clear anodised extruded aluminium profile tread, polyamide plastic sliding pieces, galvanised steel parts



Application example

Code No.	Suitable for profile
4010642	All as of 40 slot geometry (except F-50 and special profiles)

Width [mm]



RK Easywork
assembly workstation systems
See also 440



Fittings

Versions



Door lock -KL-



Butt hinge -aluminium-



Butt hinge -plastic-



Lift off hinge -aluminium-



Lift off hinge -plastic-



Lever cylinder lock



Ball catch



Magnetic lock



Door stopper



Handle



Handle profile



Handle/Handrail



Safety switch
AZ 15zvr



Safety switch
AZM

Table of contents

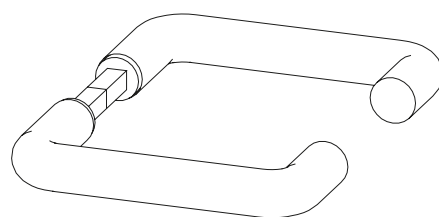
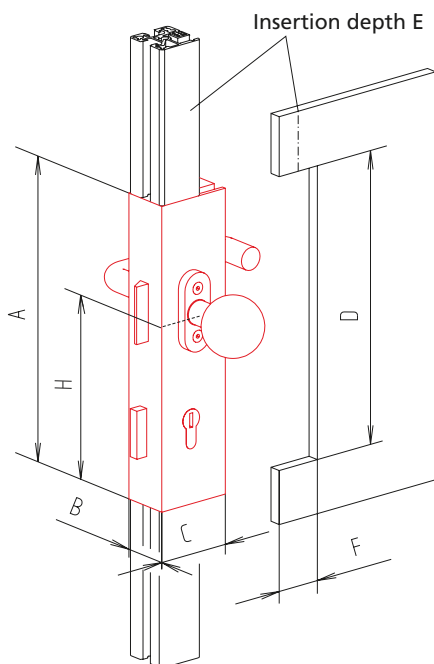
	Fittings	■ Door lock -KL-..... p. 298
		■ Butt hinge -aluminium- p. 300
		■ Butt hinge -plastic-..... p. 301
		■ Lift off hinge -aluminium- p. 302
		■ Lift off hinge -plastic- p. 303
		■ Lever cylinder lock p. 304
		■ Ball catch p. 304
		■ Magnetic lock..... p. 305
		■ Door stopper p. 306
		■ Handle p. 306
		■ Handle profile p. 307
		■ Handle/Handrail p. 307
	Electrical accessories	■ Safety switch AZ 15zvr..... p. 308
		■ Safety switch AZM p. 310

Door lock -KL-

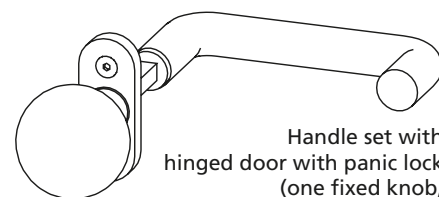
- Installation between two clamping profiles without additional profile machining
- Version available with door handle or panic lock

Material:
Gravity die-cast aluminium, galvanised steel

Includes:
complete door lock with cylinder lock, handle set and fastenings



Handle set with hinged door and sliding door



Handle set with hinged door with panic lock (one fixed knob, one door handle)

[mm]

Code No.	Version	A	B	C	D	E	F	H
4200630	For hinged door KL 30, right	255	30	65	242	10	37	161.5
4200631	For hinged door KL 30, left	255	30	65	242	10	37	161.5
4200632	For hinged door KL 30 with panic lock, right	255	30	65	242	10	37	161.5
4200633	For hinged door KL 30 with panic lock, left	255	30	65	242	10	37	161.5
4200636	For sliding door KL 30, right	255	30	65	242	10	37	132
4200637	For sliding door KL 30, left	255	30	65	242	10	37	132
4210630	For hinged door KL 40, right	255	40	65	242	15	32	161.5
4210631	For hinged door KL 40, left	255	40	65	242	15	32	161.5
4210632	For hinged door KL 40 with panic lock, right	255	40	65	242	15	32	161.5
4210633	For hinged door KL 40 with panic lock, left	255	40	65	242	15	32	161.5
4210636	For sliding door KL 40, right	255	40	65	242	15	32	132
4210637	For sliding door KL 40, left	255	40	65	242	15	32	132



Hinged door version



Sliding door version

Fittings

Butt hinge

- Can be installed on all struts and panels. The exact position of the hinge is determined by fixing pins, which can be replaced depending on the purpose.

Material:
Black anodised aluminium.
Galvanised steel.
Complete with fixing set (for profile assembly).



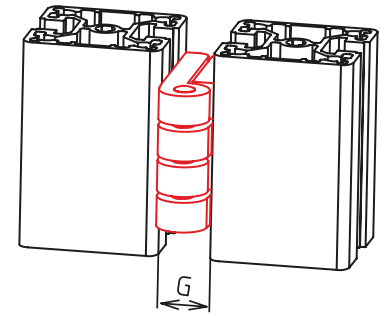
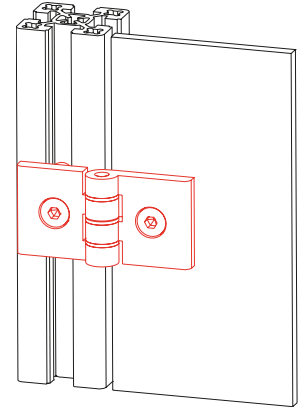
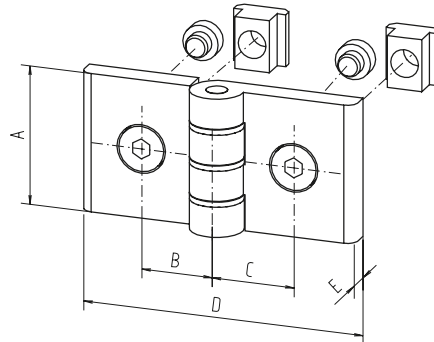
Version 1



Version 2



Version 3



[mm]

Code No.	Type	Version	A	B	C	D	E	G
Butt hinge 2-part								
4005525	30	1	50	17	17	56	7	13
4005526	30 to 40	1	50	17	17	56	7	13
4015525	40x40	2	40	22	22	79	7	15
4045526	40x40 to 60x60	2	40	22	32	79	7	15
4085525	F-50x50	2	40	27	27	79	7	15
4025525	60x60 (except F-60x60)	2	40	32	32	79	7	15
Butt hinge 3-part								
4015517	40	3	45	22	22	123	7	-

Hinge assembly variants:

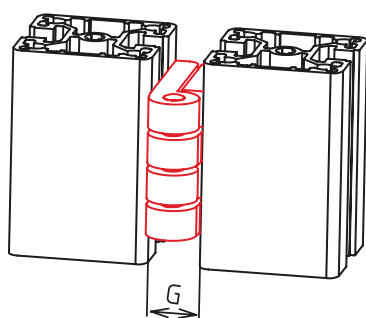
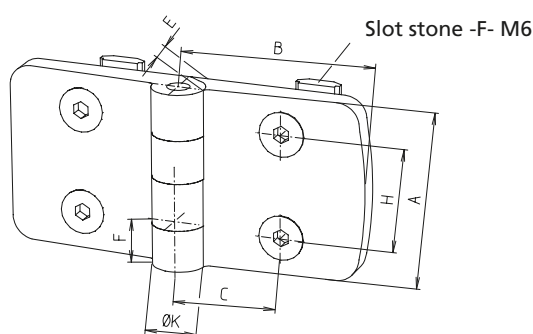


Butt hinge

- For installing on all struts and panels
- The exact position of the hinge is determined by fixing pins – these can be bent with a pliers if required

Material:
Black plastic, galvanised steel

Fixing set:
The fixing set is not included in the Order No. and must be ordered separately.



Type	A	B	C	E	F	G	H	K
30	48	29.5	17.5	9	12	18	28	14
40	48	38.5	22.5	9	12	18	28	14
50	48	48.5	27.5	9	12	18	28	14
60	48	57.5	32.5	9	12	18	28	14

Fixing set

Code No. for one hinge half	Slot geometry
4006520	30 (slot stone -F-)
4016520	40 (slot stone -F-)

Post	Code No. Butt hinge			
	Door profile 30	Door profile 40	Door profile 50	Door profile 60
Profile 30	4008510	–	–	–
Profile 40	4008511	4008514	–	–
Profile 50	4008512	4008515	4008517	–
Profile 60	4008513	4008516	4008518	4008519

Fittings

Lift off hinge



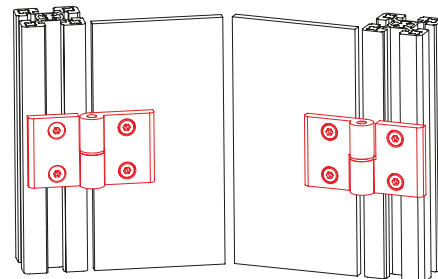
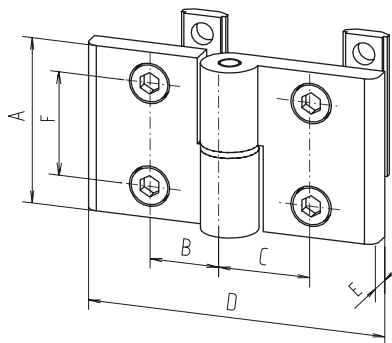
Version 1



Version 2

- Space-saving installation between two profiles
- Flaps or doors can be dismantled simply by lifting them off

Material:
Black anodised aluminium,
galvanised steel.
Complete with fixing set
(for profile assembly)



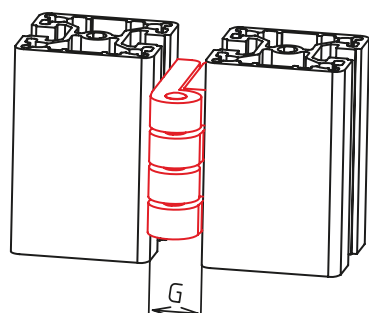
[mm]

Code No.	To slot geometry	Version	A	B	C	D	E	F	G
Lift off hinge 2-part									
4015520	40	1, left	45	22	22	79	7	28	15
4015521	40	1, right	45	22	22	79	7	28	15
4045521	40	1, left	45	22	32	79	7	28	15
4045522	40	1, right	45	22	32	79	7	28	15
Lift off hinge 3-part									
4015515	40	2	45	22	22	123	7	28	-

Lift off hinge (narrow version)

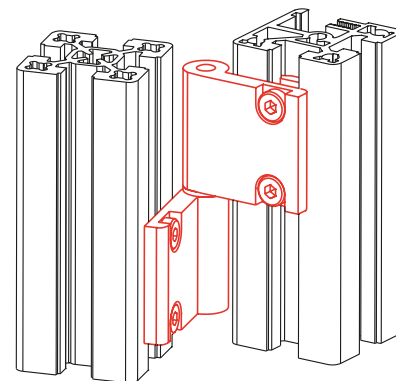
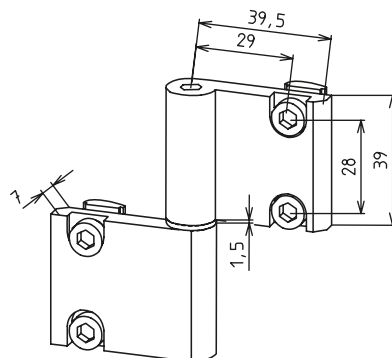


Right version



- Can be installed on all struts and panels.
- Flaps or doors can be dismantled simply by lifting them off.

Material:
Black anodised aluminium,
galvanised steel.
Complete with fixing set
(for profile assembly)



[mm]

Code No.	To slot geometry	Version	G
4015527	30	Left	7.5
4015526	30	Right	7.5
4015523	40	Left	7.5
4015522	40	Right	7.5

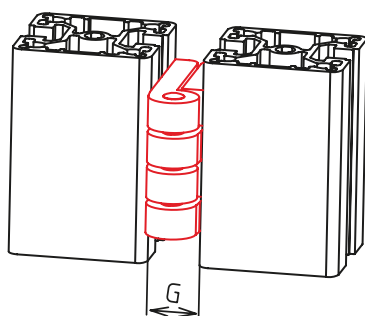
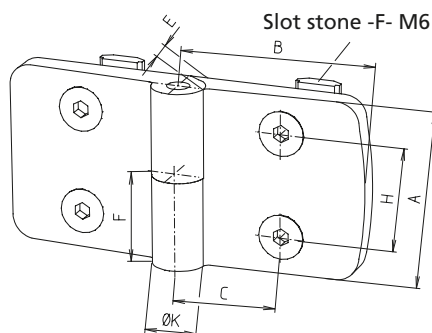
Lift off hinge

- Can be installed on all struts and panels.
- Flaps or doors can be dismantled simply by lifting them off.
- The exact position of the hinge is determined by fixing pins, which can be bent with a pliers if required.
- The sizes can be combined with each other.

Material: Black plastic, galvanised steel parts.

Fixing set:

The fixing set is not included in the Order No. and must be ordered separately.



[mm]

Type	A	B	C	E	F	G	H	K
30	48	29.5	17.5	9	24	18	28	14
40	48	38.5	22.5	9	24	18	28	14
50	48	48.5	27.5	9	24	18	28	14
60	48	57.5	32.5	9	24	18	28	14

Fixing set

Code No. for one hinge half	Slot geometry
4006520	30 (slot stone -F-)
4016520	40 (slot stone -F-)

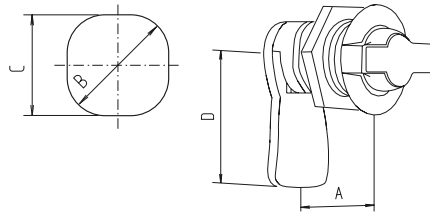
Version	Post	Code No. Butt hinge			
		Door profile 30	Door profile 40	Door profile 50	Door profile 60
Right	Profile 30	4008530	–	–	–
	Profile 40	4008532	4008540	–	–
	Profile 50	4008534	4008542	4008550	–
	Profile 60	4008536	4008544	4008552	4008560
Links	Profile 30	4008531	–	–	–
	Profile 40	4008533	4008541	–	–
	Profile 50	4008535	4008543	4008551	–
	Profile 60	4008537	4008545	4008553	4008561

Fittings

Lever cylinder lock

- Complete with 2 keys.
For locking lightweight doors
and flaps

Material: Plastic,
galvanised steel.

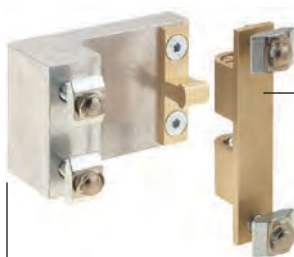


Code No.	Type	A	B	C	D
4016600	15	15	22.5	21	45
4026600	25	25	22.5	21	45

[mm]

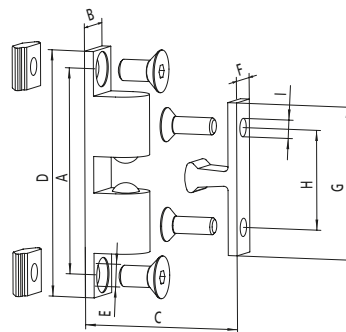
Ball catch

Material:
Aluminium, brass
Fixing set:
Galvanised steel



Material:
Brass

Door stop



Code No.	Type	A	B	C _{min}	D	E	F	G	H	I
4010606	Without door stop	48.5	11.8	15.8	58	5.3	8.6	36	23.5	4.3
4000608										
4010607										
4010608										
4000609										
4010609										

[mm]



Magnetic lock

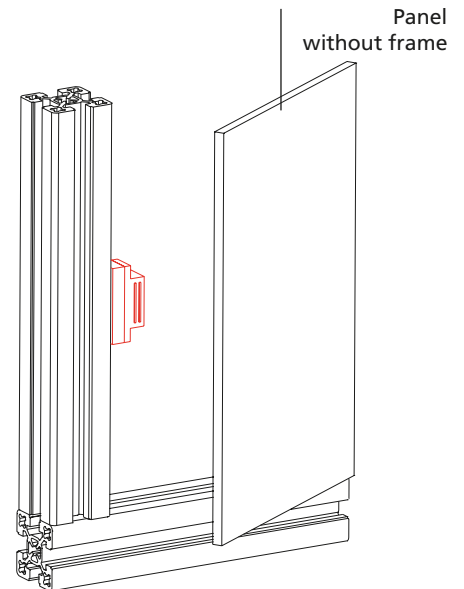
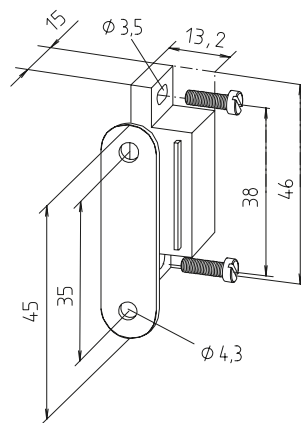
- Suitable from profile size 40
- Complete with fixing set

Material:
Aluminium, plastic,
galvanised steel

Magnetic lock with striker –
Installed in panel
without frame



Magnetic lock with striker –
Installed in panel
with frame



Code No.	Profile assembly	Installation	Sim. to fig.
4010605	All, except 30	Without frame	1
4010604	All, except 30	Profiles centr.	2
4000610	30 to 30	Profiles centr.	2
4010611	40 to 30	Profiles centr.	2
4010612	40 to 30	Profiles flush	3
4080603	50 to 30	Profiles flush	3
4080606	50 to 40	Profiles centr.	2
4080604	50 to 40	Profiles flush	3

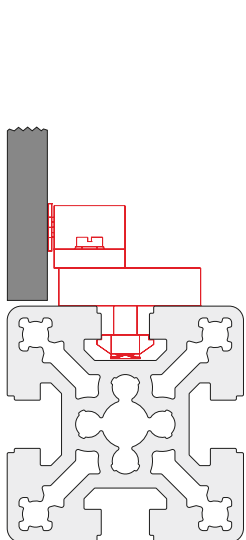


Fig. 1

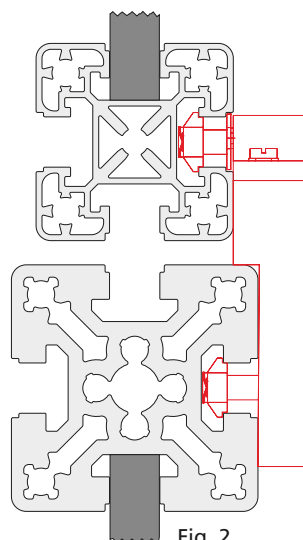


Fig. 2

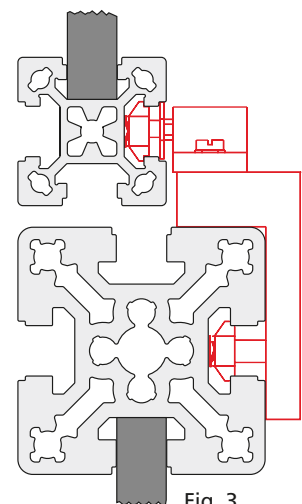
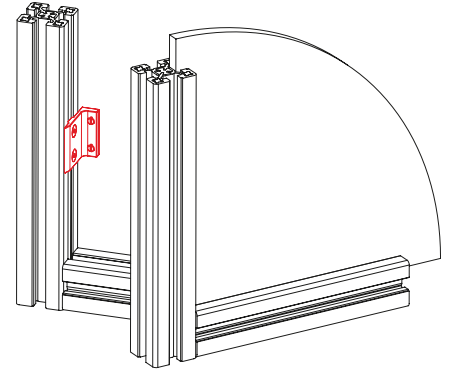
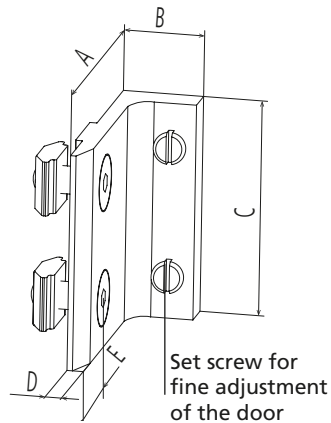


Fig. 3

Fittings

Door stopper

Material: Black plastic, galvanised steel
Complete with fixing set:



Code No.	Slot geometry	A	B	C	D	E	[mm]
4008650	30	34	14.7	40	3	11	
4018650	40	44	14.7	40	3	16	

Handle

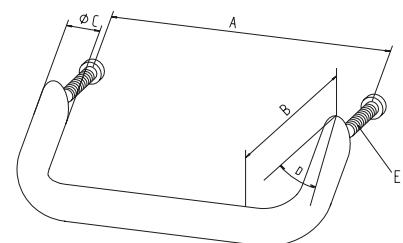
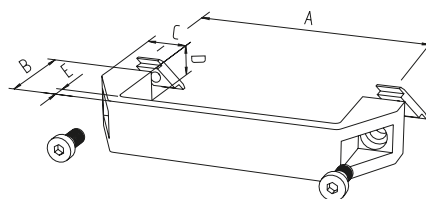
Material size 150 and 197: PP plastic
Material size 152: Black anodised aluminium
Complete with fixing set:
Aluminium
Other handles available on request.



Size 150 and 197



Size 152



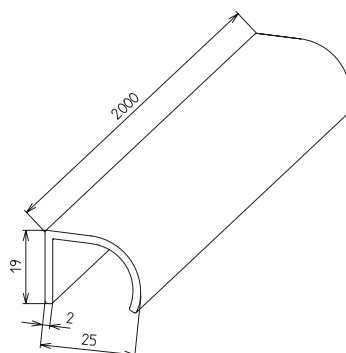
Code No.	Size	Slot geometry	A	B	C	D	E	[mm]
4005596	152	Drill	128	50	20	35°	M6x30	
4015598	152	Drill	128	50	20	35°	M6x40	
4008596	150	30	131	44	22	27	7	
4015596	150	40	131	44	22	27	7	
4015597	197	40	178	50	22	28	8	

Handle profile



- The elegant handle profile is supplied as bar material and can be cut to length as required. The customer must drill the fixing holes.

Material: Aluminium

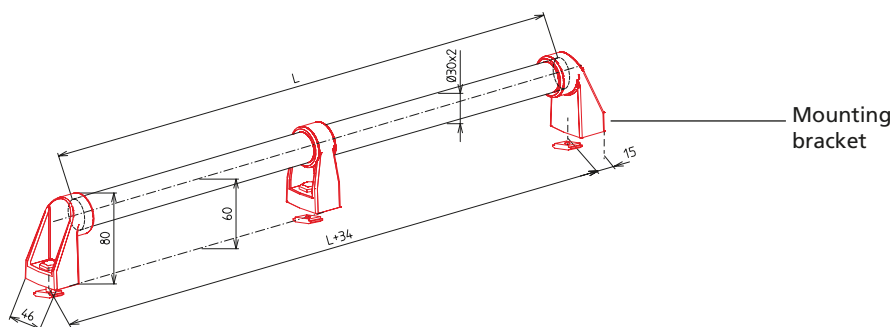


Code No.	Type
4015595	Handle profile, 2000 mm bar

Handle/Handrail

- Retrospective fixation with slot stone R
- Anodised aluminium tube grip surface
- Cut to size or bar

Material: Black plastic mounting brackets, galvanised fastenings. Aluminium tube



Central mounting bracket recommended as of L>1000 mm

Code No.	Slot geometry	Type
4018501	40	2x mounting brackets, L<1000 mm
4018502	40	2x mounting brackets, 1x central mounting bracket, L>1000 mm

Code No.	Type
823020 2 0500	Aluminium tube, Ø30x2 L=500 mm
823020 2 1000	Aluminium tube, Ø30x2 L=1000 mm
823020 2 2000	Aluminium tube, Ø30x2 L=2000 mm
823020 2	Cut to length aluminium tube Ø30x2, Lmax= 6000 mm

Length [mm]

Fittings

Safety switch AZ 15zvr

- For safely switching off circuits
- Suitable for hinged, flap, sliding and lifting doors

Technical data: Self-extinguishing, fibreglass reinforced thermoplastic

Actuator key:

Stainless spring steel

Degree of protection:

IP67 to IEC 529/EN 60529/DIN VDE 0470-1

Contact material: Fine silver

Contact type: One-pin, double-breaking, positively driven NC to VDE 001

Pivot radius: R_{\min} 450 mm

Rated isolation voltage:

VI 500 V approx. 25-60 Hz.

Constant current: 10 A

Rated operating current I_u AC 11h
4 A (230V), 2.5 A (380 V),
1A (500 W)

Short circuit resistance:

10 A (slow) 16 A (fast).

Contact gap

2 x 3 mm.

Positive opening travel/force:

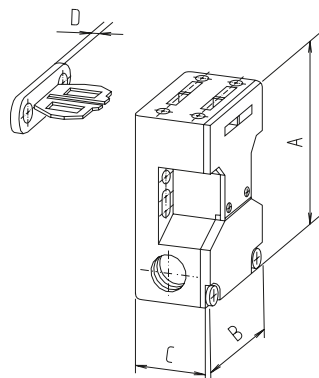
8 mm / approx. 30 N

Mech. lifetime:

10×10^6 switching cycles

Operating temperature:

-30 to +80°C.



Code No.	Type	A	B	C	D
4010610	AZ 15 zvr for sliding door / lifting door	72	52	30	5
4010613	AZ 15 zvr for sliding door	72	52	30	5
4010614	AZ 15 zvr for flap door	72	52	30	5
4015610	Fixing set for sliding door, hinged door	Fig. 1, 2, 3		40 slot geometry	
4015602	Fixing set for lifting door	Fig. 4			

[mm]

Further fixing sets available on request

Fixing set for sliding and hinged door. Vibration finished aluminium.

See fig. 1-3 on the next page.

Fixing set for lifting door

See fig. 4 on the next page.

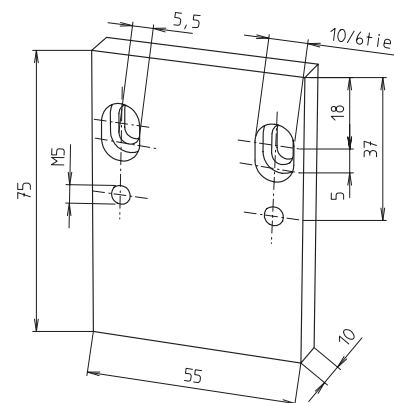
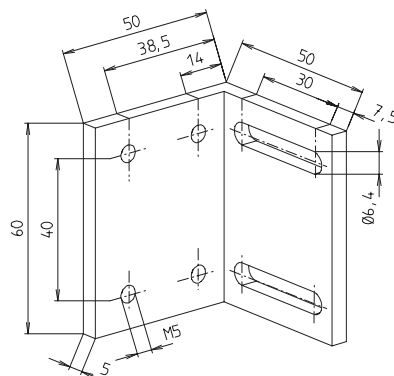
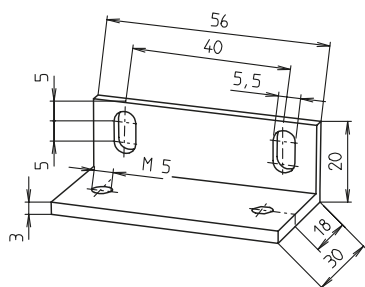


Fig. 1: Hinged door
Fixing AZ 15 zvr to the top strut (40-40)

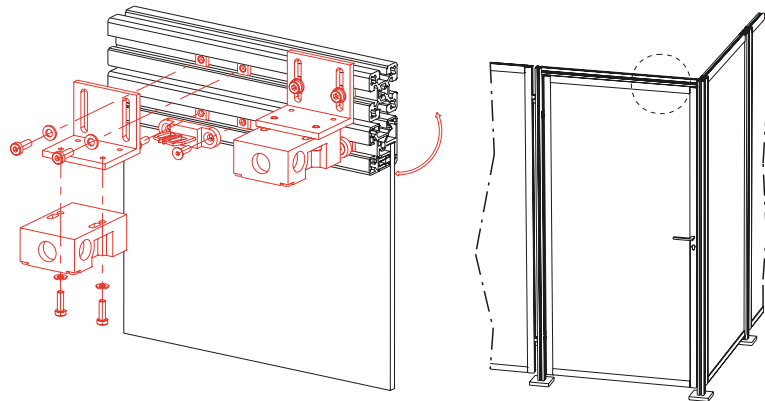


Fig. 2: Hinged door
Fixing AZ 15 zvr to the side strut (40-50)

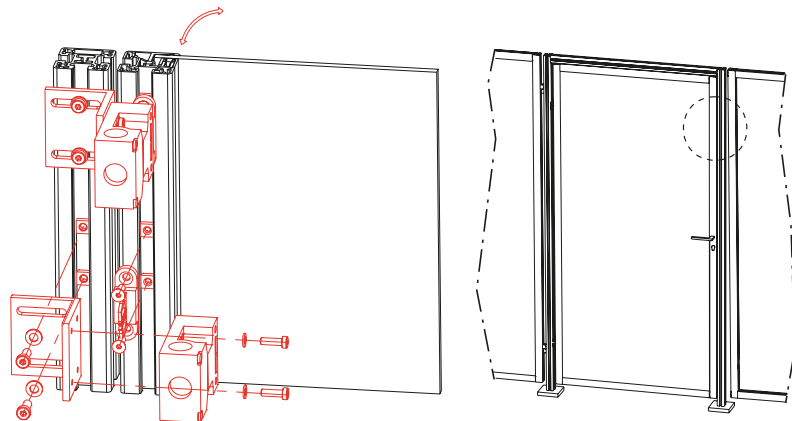


Fig. 3: Sliding door
Fixing AZ 15 zvr to the side strut (50-40)

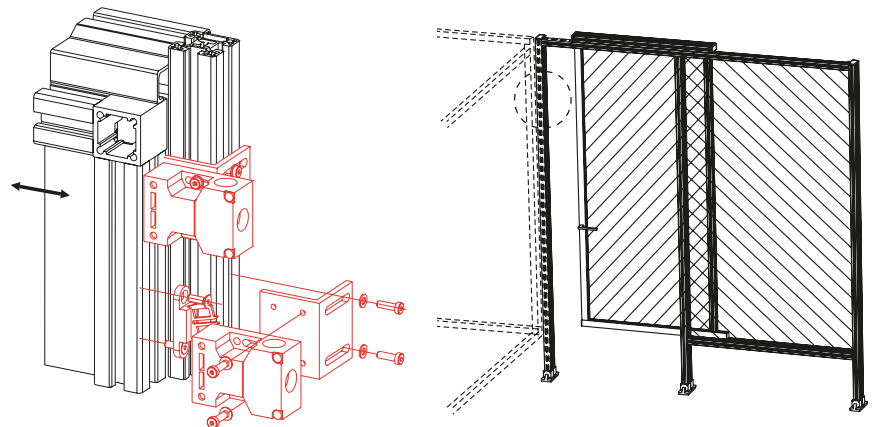
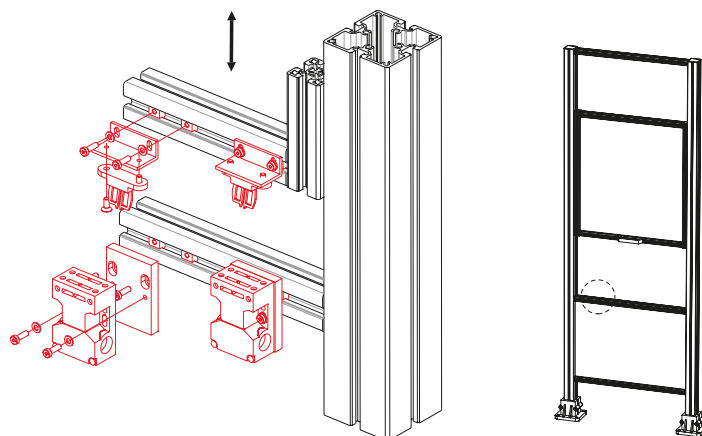


Fig. 4: Lifting door
Fixing AZ 15 zvr to the cross strut (40-40)



Safety switch AZM 161

- For safely switching off circuits. Suitable for hinged, sliding and lifting doors.

Technical data:

Self-extinguishing
fibreglass-reinforced thermoplastic.

Degree of protection: IP67 to IEC 529/EN 60529/DIN VDE 0470-1

Contact type: One-pin, double-breaking, positively driven NC to VDE 001, additional contacts for signal purposes

Pivot radius: R_{\min} 900 mm

Constant current: 10 A Rated operating current Iu AC 11h 2 A (230 V)

Short circuit resistance: 6 A (slow) as positively driven NC position switch

Contact type: One-pin, double-breaking, positively driven NC to VDE 001, additional contacts for signal purposes

Pivot radius: R_{\min} 900 mm

Constant current: 10 A Rated operating current Iu AC 11h 2 A (230 V)

Short circuit resistance: 6 A (slow) as positively driven NC position switch

Positive opening travel/force: 8.8 mm / 10 N

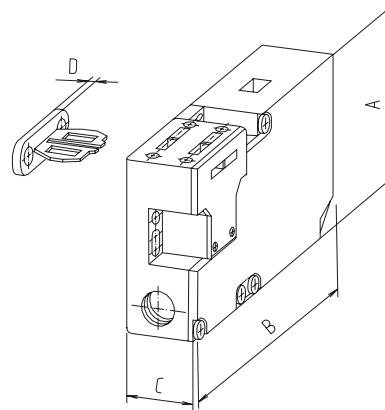
Locking force F_{\max} : 2000 N

Mech. lifetime:

>10x10⁶ switching cycles

Operating temperature:

-25 to +60°C.



Code No.	Type	A	B	C	D
4010615	Switch AZM 161, for sliding door/lifting door/hinged door	90	130	30	5
Available on request*	Fixing set	40 slot geometry			

*Fixing sets available on request depending on the application

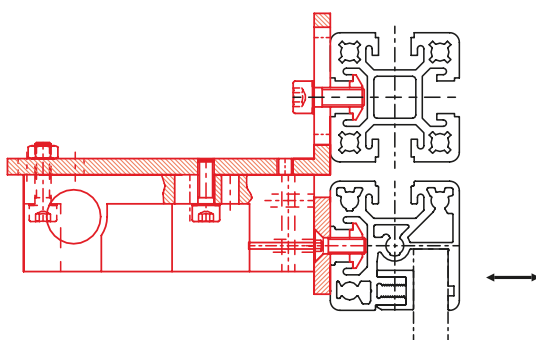


Fig. 1: Hinged door
Fixing AZM 161 to the top strut (40-40)

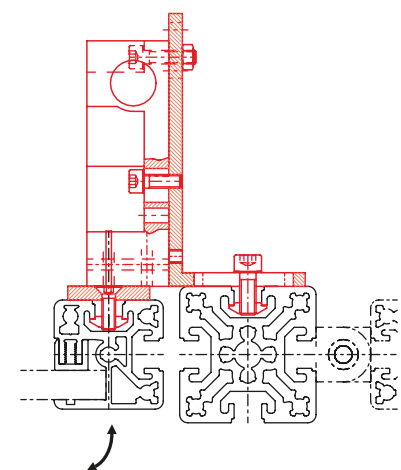
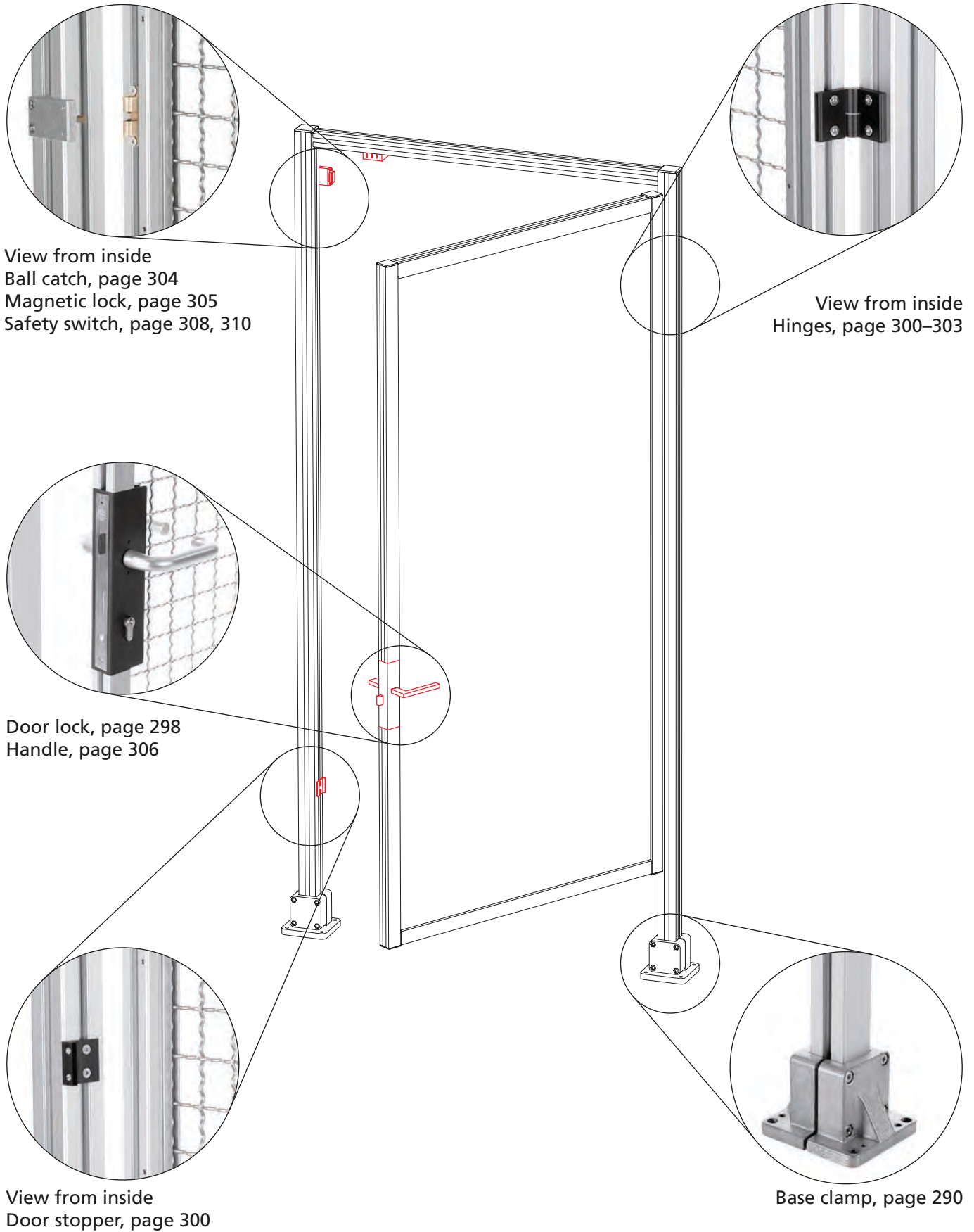


Fig. 2: Hinged door
Fixing AZM 161 to the side strut (40-50)



Fittings



View from inside
 Ball catch, page 304
 Magnetic lock, page 305
 Safety switch, page 308, 310

View from inside
 Hinges, page 300–303

Door lock, page 298
 Handle, page 306

View from inside
 Door stopper, page 300

Base clamp, page 290

Conveying elements and pneumatics

Versions

Conveying elements



Pneumatics



Table of contents

Conveying elements	<ul style="list-style-type: none"> ■ Conveyor rollers p. 314 ■ Conveyor drums p. 314 ■ Sliding piece p. 315 ■ Roller carriage p. 316
Pneumatics	<ul style="list-style-type: none"> ■ Pneumatic connection p. 317 ■ Pneumatic connecting plate..... p. 317

Conveying elements

Conveyor rollers

- Version with or without flange
- Fixing in the profile slots
- For assembling transport vehicles or conveyor belts.

Material:
Plastic with ball bearing.

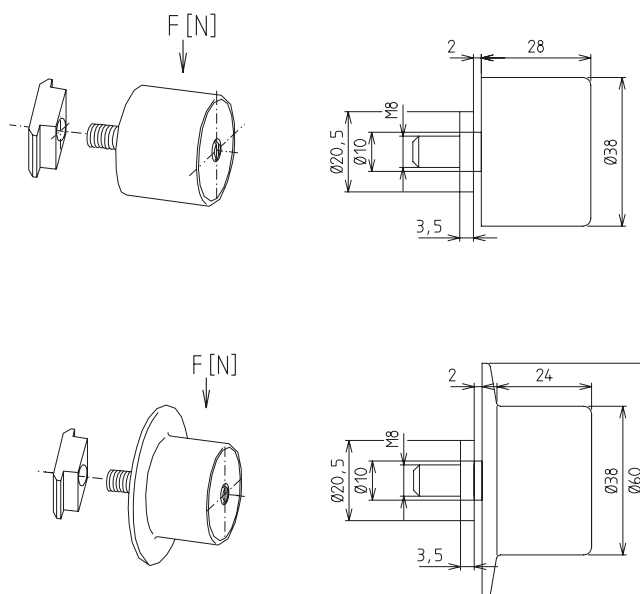
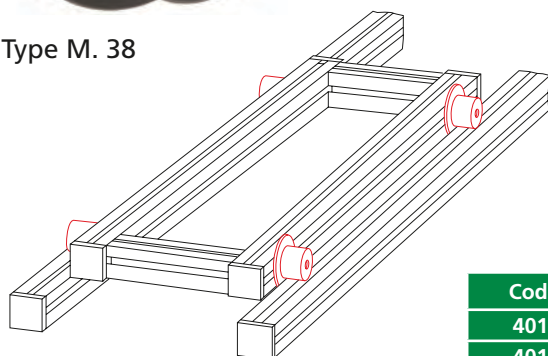
Scope of delivery: Complete with fixing set.



Type O. 38



Type M. 38



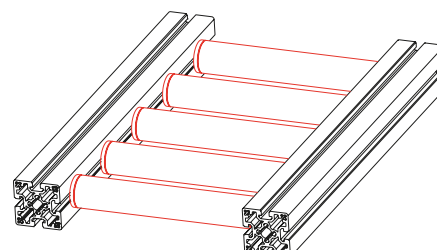
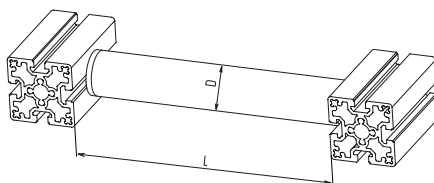
Code No.	Type	Slot geometry	F [N]
4010640	O. 38	40	100
4010641	M. 38	40	100

Conveyor drums

- Standard length 500 mm. Other lengths available on request.

Material: Plastic with plastic ball bearings.

Scope of delivery:
Complete with fixing set.



[mm]

Code No.	Type	D	L	Slot geometry	F [N] in relation to 500 mm
4018641	40	40	500	40	100
4018640	50	50	500	40	150

Sliding piece

- For easy, low-wear moving of parts in a profile frame (sliding doors, lifting doors).
- A "centred" and an "off-centred" version are available. The sliding piece is available ready to install including set screws and as bars.

Material: Black plastic

Scope of delivery:
See table/version



Fig. 1

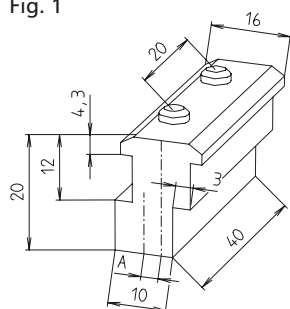
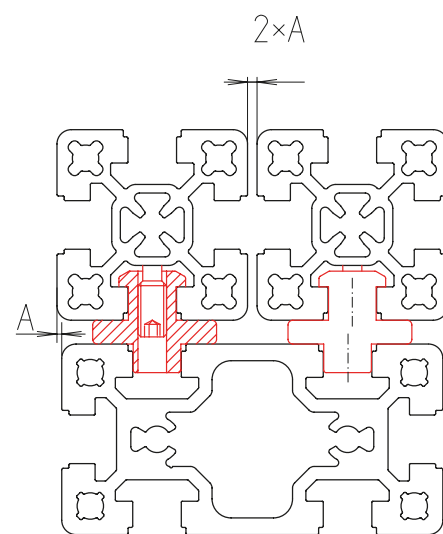
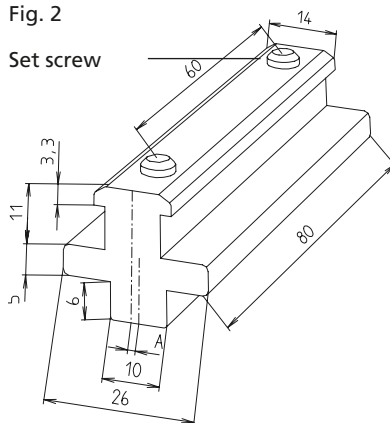


Fig. 2

Set screw



Code No.	Type	Version	Fig.	A
4018644	Centred sliding piece	Complete, 40 slot geometry	2	0
4018645	Centred sliding piece	2000 mm bar	2	0
4018646	Off-centred 1 mm sliding piece	Complete, 40 slot geometry	1	1
4018647	Off-centred 1 mm sliding piece profile	2000 mm bar	1	1
4018648	Off-centred 3 mm sliding piece	Complete, 40 slot geometry	1	3
4019236	Set screw M6x18 DIN 913	Corrosion-resistant		

[mm]

Conveying elements

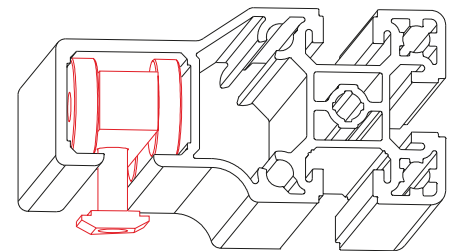
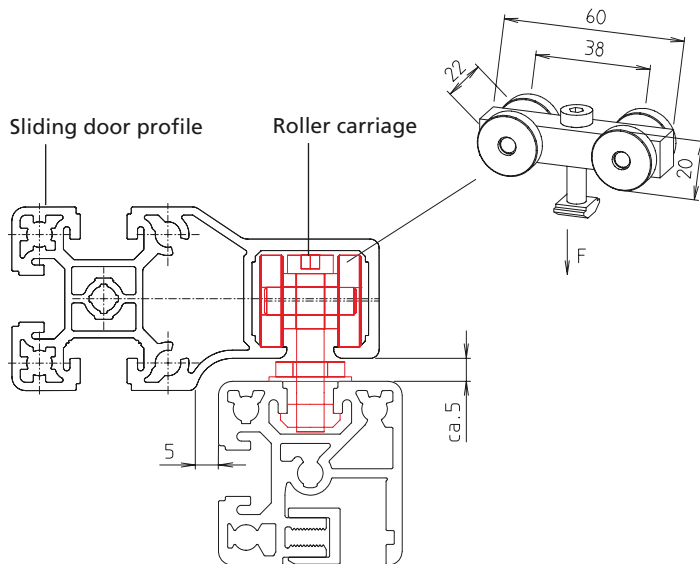
Roller carriage

- The roller carriages are fitted for sliding door profile sizes 30 and 40 (see chapter "Functional profiles" page 196 + 201) However, they can also be used as individual parts in other constructions.

Material:

Aluminium, vibration finished with slide bushing, Plastic rollers, black

The scope of delivery includes the complete roller carriage, fixing screw, slot stone -F- and a lock nut. Galvanised steel fixation



Code No.	Type	Version	F
4170601	30	Complete roller carriage	150 N
4180601	40	Complete roller carriage	150 N

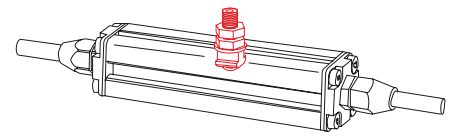
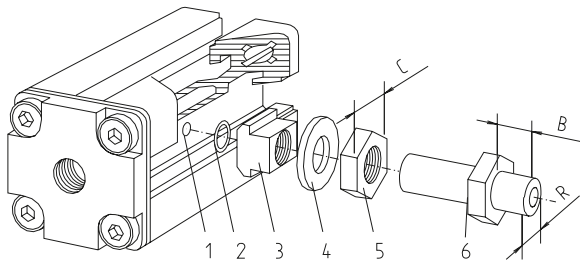
Pneumatics

Pneumatic connection



Assembly: Mark the desired position with the aid of the template (see page 456) and drill a hole with a 4 mm drill (1). Place the O ring (2) on the bore hole (6) and then push the slot stone (3) in the slot from the side, directly onto the bore hole. Then hand-tighten the screw in the slot stone (3) and lock it with the nut (5) and washer (4).

Material: Galvanised steel slot stone, brass screw connection. Connecting option in the slot of coupling sockets, plugs or screw connections.



Code No.	Connection	R	B	C
4010415	R1/8"	R1/8"	12	17
4010416	With hose coupling - automatic stop			

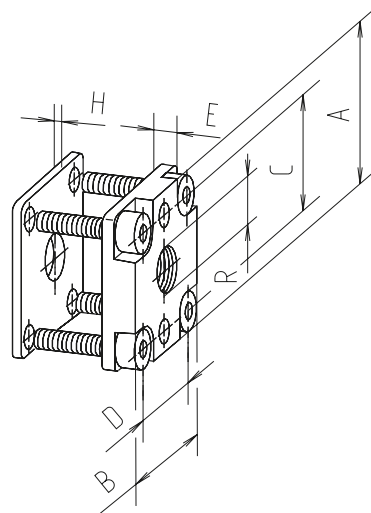
Pneumatic connecting plate

■ Connection to the front profile surfaces, for compressed air supply or consumer systems.

Material: Die-cast aluminium

Scope of delivery: Complete with seal and screws.

Fixing: Galvanised steel



Code No.	Type	Connection	A	B	C	D	E	R	H
4044411	80x80, F-80x80-L	R1/4"	80	80	68	68	8	R1/4"	2
4044412	80x80, F-80x80-L	R1/2"	80	80	68	68	8	R1/2"	2

Cable channel system

Versions

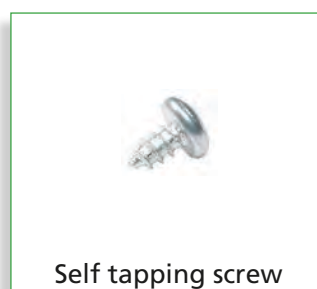
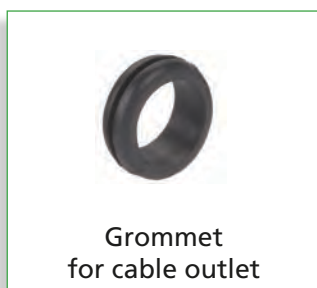


Table of contents

Cable channel system	<ul style="list-style-type: none"> ■ Functionality/Assembly p. 320 ■ Profiles p. 321 ■ Spring strips p. 322 ■ Channel assembly clip p. 322 ■ Cover plate p. 322 ■ End cover for cable outlet p. 322 ■ Grommet for cable outlet p. 322 ■ Membrane grommet for cable outlet p. 322 ■ Separating strip p. 323 ■ Assembly strip p. 323 ■ Edge protection p. 323 ■ Equipotential bonding p. 323 ■ Self tapping screws p. 323
-----------------------------	---

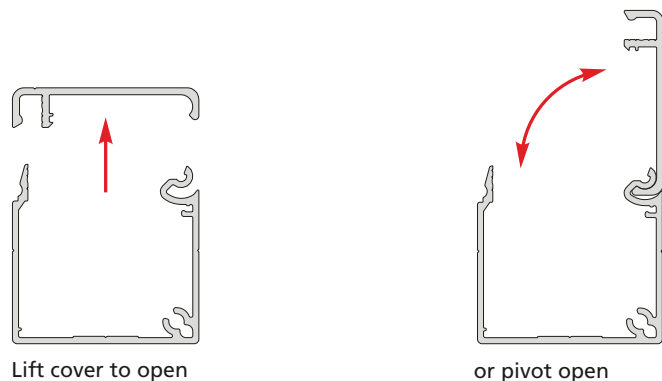
Cable channel system

Channel functionality

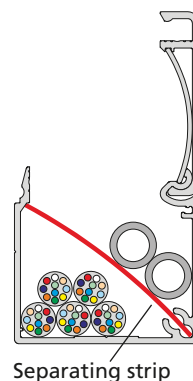
■ Aluminium cable channel in sizes 40x40, 40x80 and 80x40

■ Smooth and scratch-resistant easy to clean anodised surface

Easy to open / excellent accessibility

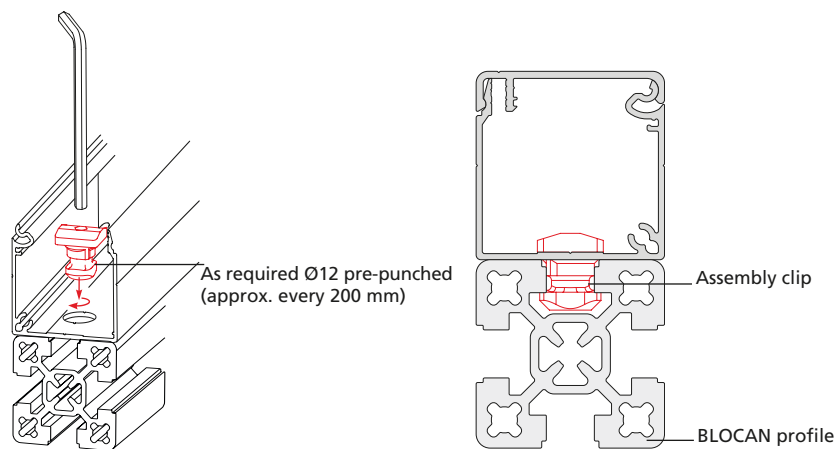


Arrangement in channel with optional separating strips

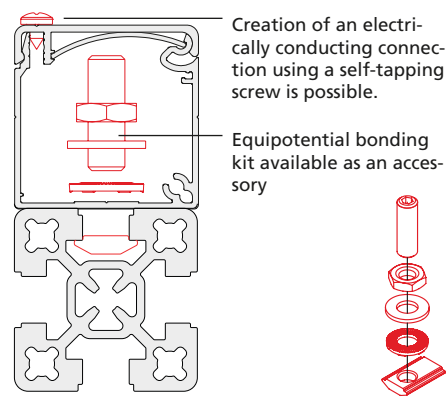


Assembling the channel

Easy assembly (without machining) with BLOCAN® profiles

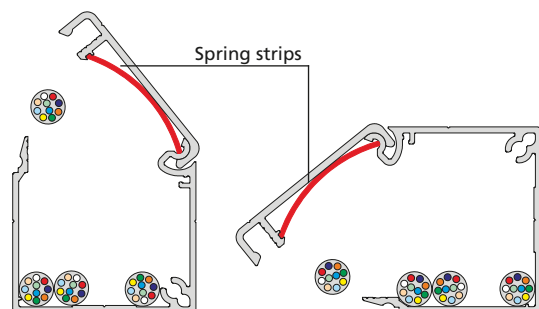


Equipotential bonding

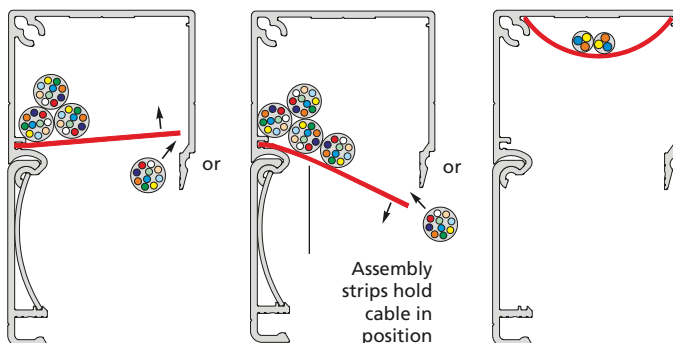


Cable arrangement

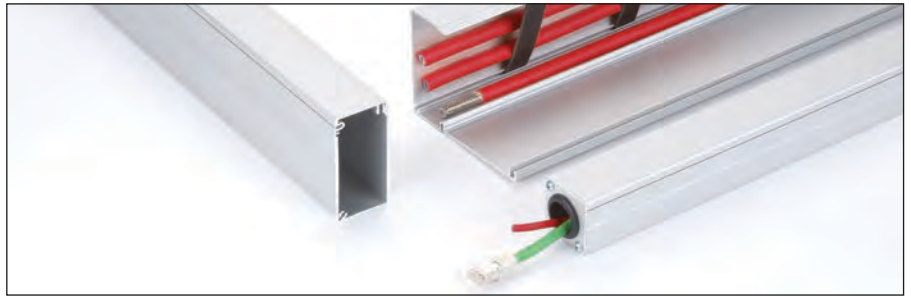
Insertable spring strips hold the cover in position



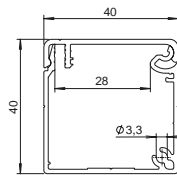
Assembly strips facilitate overhead assembly



Cable channel profiles

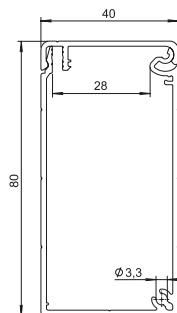


Profile KK-40x40



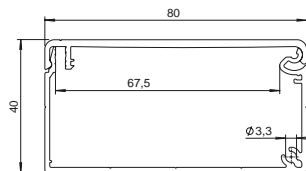
Code No.	Profile	Type	Weight
4E15A01	KK-40x40, 6 m bar	With fixing holes	0.745 kg/m
4E15A00	KK-40x40, cut to size		
4E15001	KK-40x40, 6 m bar	Without fixing holes	0.747 kg/m
4E15000	KK-40x40 cut to size		

Profile KK-40x80



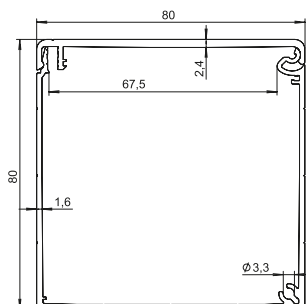
Code No.	Profile	Type	Weight
4E35A01	KK-40x80, 6 m bar	With fixing holes	1.152 kg/m
4E35A00	KK-40x80, cut to size		
4E35001	KK-40x80, 6 m bar	Without fixing holes	1.155 kg/m
4E35000	KK-40x80 cut to size		

Profile KK-80x40



Code No.	Profile	Type	Weight
4E25A01	KK-80x40, 6 m bar	With fixing holes	1.290 kg/m
4E25A00	KK-80x40, cut to size		
4E25001	KK-80x40, 6 m bar	Without fixing holes	1.292 kg/m
4E25000	KK-80x40 cut to size		

Profile KK-80x80



Code No.	Profile	Type	Weight
4F15A01	KK-80x80, 6 m bar	With fixing holes	1.690 kg/m
4F15A00	KK-80x80, cut to size		
4F15001	KK-80x80, 6 m bar	Without fixing holes	1.693 kg/m
4F15000	KK-80x80 cut to size		

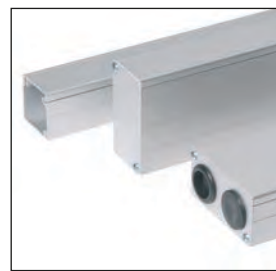
Cable channel system



Spring strips hold the cover open in any position



Quick and easy assembly with a fixing clip



Cover plates and outlets as required

Spring strips for cover



Code No.	Type	PU	Rec. quantity	Material
4E18504	KK 40x40 KK 40x80	10	5 / m	PVC
4E28501	KK 80x40 KK 80x80	10	5 / m	PVC

Cable assembly clip



Code No.	PU	Material
4E18503	10	PA-GF30

Cover plate



Code No.	Type	PU	Material
4E15501	KK 40x40	6	Aluminium, clear anodised
4E25501	KK 40x80, KK 80x40	6	
4F15501	KK 80x80	6	

End cover for cable outlet



Code No.	Type	PU	Material
4E15502	KK 40x40	6	Aluminium, clear anodised
4E25502	KK 40x80, KK 80x40	6	
4F15502	KK 80x80	6	

Grommet for cable outlet



Code No.	Type	Material
4E18505	Outlet Ø 22mm	Z-PVC

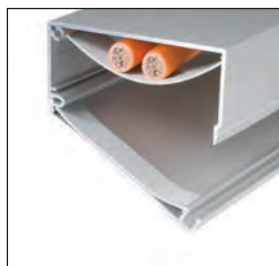
Membrane grommet for cable outlet



Code No.	PU	Material
4E18502	6	Z-PVC



Leads can be separated with press-fit separating strips...



...or make overhead work easier.



Edge protection for inlets or outlets



Standard components make equipotential bonding easy

Separating strip



Code No.	Type	PU	Material
4E18506	KK 40x40	10	PVC
4E28502	KK 40x80, KK 80x40	10	
4F18501	KK 80x80	10	

Assembly strip



Code No.	Type	PU	Material
4E18507	KK 40x40, KK 40x80	10 pcs	PVC
4E28503	KK 80x40	10 pcs	

Edge protection



Code No.	Type	Material
4E18501	1 unit per 1 m	PVC, grey

Equipotential bonding



Code No.	PU
4E16502	1 complete Set (screw, slot stone, washers)
4E16503	12 (contact washer for cover plates)

Self tapping screw



Code No.	Type	PU
4E16501	ISO 7049 St. 3.5 x 9.5, Form f	12

Versions



Table of contents

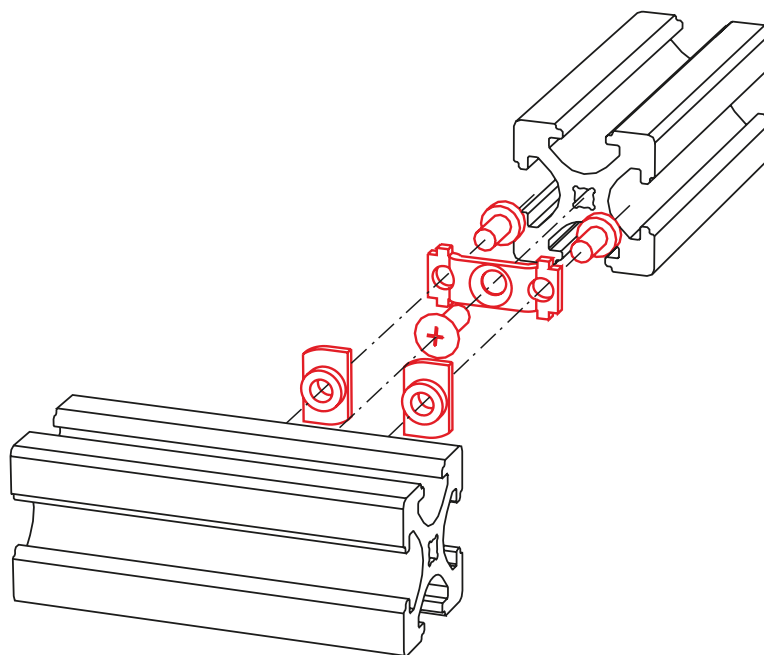
Accessories

M-BLOCAN®

- Flange bracket M-BLOCAN® p.327
- Flange bracket adaptor p.327
- Corner joint R / GG p.328
- Corner joint for clamping profiles p.330
- Profile / Angle brackets p.332
- Mitre joint -transverse- S.334
- Slot stone -B- / PLM p.335
- Screws p.335
- Profile joint..... p.336
- Handle p.336
- Butt hinge..... p.337
- Magnetic lock p.337
- Cover profile..... p.338
- Sliding door profile..... p.339
- Vario-Quick holding block R..... p.340
- Vario-Quick holding block S p.341
- Vario-Quick holding block K p.341
- Surface elements..... p.342
- Caps..... p.343
- Foot..... p.343

Flange bracket connection M-BLOCAN®

Flange bracket connection M-BLOCAN®



The illustration shows approximately the actual size.

- Connecting BLOCAN® profiles without machining such as drilling, tapping etc. is based on many years of experience. Constant striving for shorter assembly times and therefore lower costs led to the latest innovation in the profile sector: **The bayonet nut connector**
- The redesigned slot stones are already pre-assembled to the flange bracket, but loose. They turn automatically in the correct position when screwed in.
- Screw the flange bracket to the profile end, align the slot stones, attach the other profile and tighten.

Ready!

Flange bracket M-BLOCAN®

- Flange bracket with bayonet catch for a right angle connection of two profiles.

Material:
Galvanised steel
Scope of delivery:
Comprises all the parts necessary for the complete assembly of two profiles.



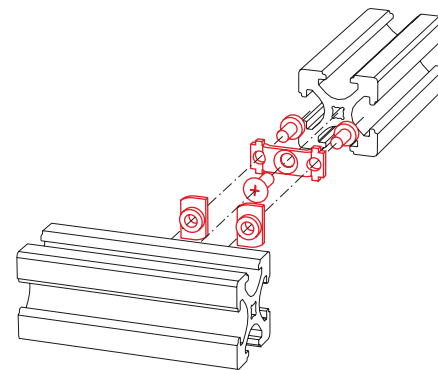
F-/ F-G 20

F-20x40



F-R 20

F-G / F-GG 20

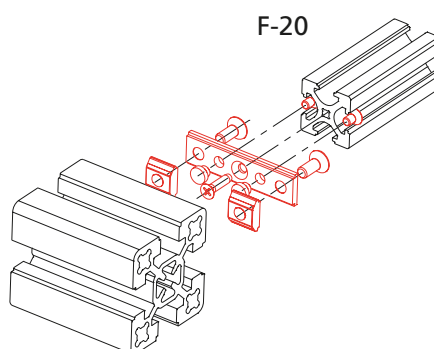


Code No.	Type
E01007AAE	F-20 / F-G 20
E03007AAE	F-20x40
E02007AAE	F-R 20
E07007AAE	F-G 20 / F-GG 20 short

Flange bracket adaptor

- Adaptor strip with slot stones for the connection of M-BLOCAN® profiles with the tried-and-tested BLOCAN® profiles.

Material:
Galvanised steel
Scope of delivery:
Comprises all the parts necessary for the complete assembly of two profiles.
Plastic fixation

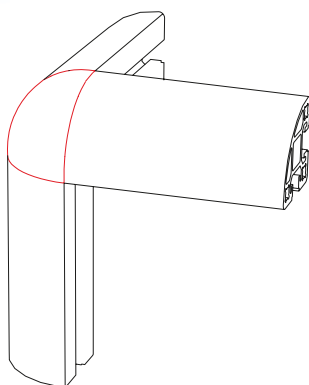


Code No.	Type	Slot geometry
E01009AAE	F-20x20	30
E01012AAE	F-20x20	40
E03009AAE	F-20x40	30
E03012AAE	F-20x40	40
E07009AAE	F-G/GG 20	30
E07012AAE	F-G/GG, F-R 20	40

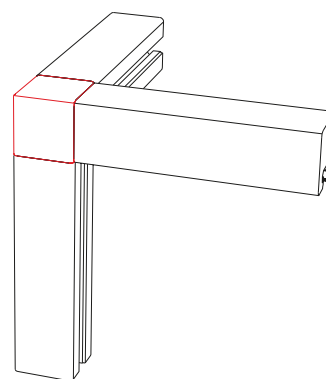
Corner joint R / GG with corner cap

- Connecting element for the rectangular assembly of edge profiles R / GG 20.
- The profiles are connected to each other by means of the corner joint and screws.
- Centring pins facilitate the assembly and adjustment of the profiles. They can be snapped off with a pair of tongs if not required. In order to give this joint an attractive finish, it is covered with a plastic cap.

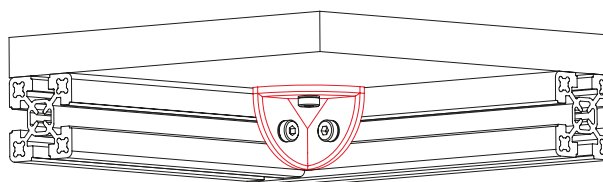
Material:
Die-cast zinc corner joint,
Plastic cap,
Galvanised fastenings



Connection of "R-profiles"



Connection of "GG-profiles"



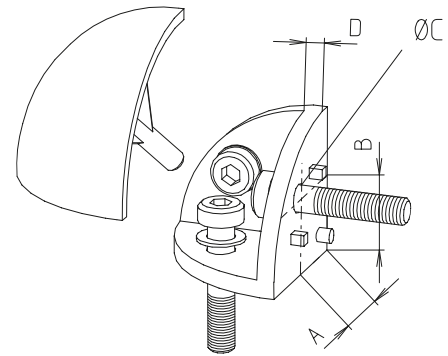
Corner joint as fixation element for the flush assembly of surface elements



Complete corner joint R20









Complete corner joint GG20



Code No.	Type	Profiles	A	B	Ø C	D
E02043AAE	Complete corner joint, black	R 20	10	10	3.4	2.5
E02045AAE	Complete corner joint, black	GG 20	10	10	3.4	2.5
E02042AAE	Corner joint, (without cap and screws)	R, GG 20	10	10	3.4	2.5

[mm]

Code No.	Type	Profiles	Colour
E02044DAE	Corner cap	R 20	black
E02044KAE			RAL 9006
E02044LAE			RAL 7035
E02044MAE			RAL 1021
E02044NAE			RAL 3020
E02044PAE			RAL 5005
E02046DAE	Corner cap	GG 20	black
E02046KAE			RAL 9006
E02046LAE			RAL 7035
E02046MAE			RAL 1021
E02046NAE			RAL 3020
E02046PAE			RAL 5005

Black	
White aluminium RAL 9006	
Light grey RAL 7035	
Rape yellow RAL 1021	
Traffic red RAL 3020	
Signal blue RAL 5005	

Please note that due to typographical reasons the colours listed above can only be an approximate representation of the corresponding RAL colours.

Accessories M-BLOCAN®

Corner joint KL / KLE / KLK / KLA



Version KL



Version KLE

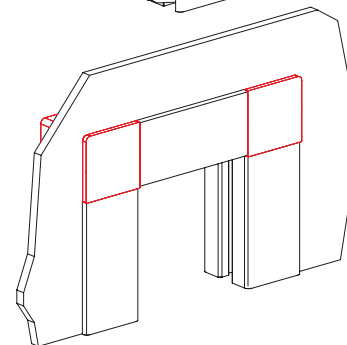
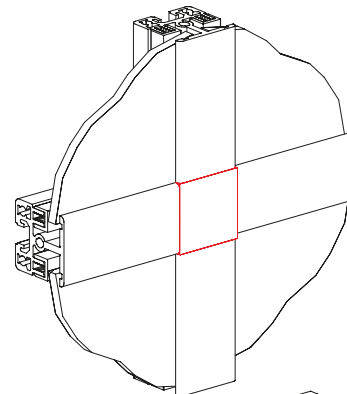
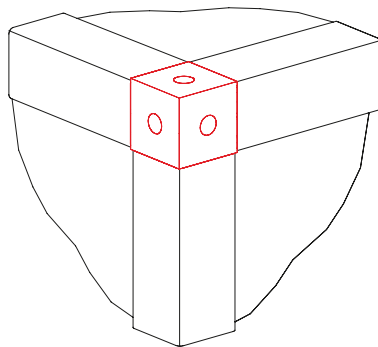
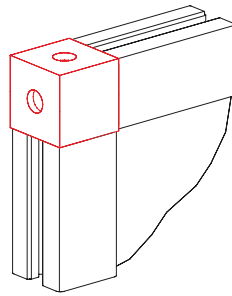


Version KLK



Version KLA

- Connecting element for the rectangular assembly of clamping profiles KL, KLD and KLE



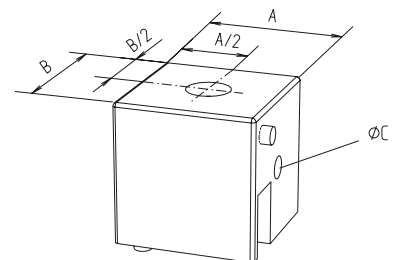
- The fastening screws are inserted directly into the profile which is torsionally secured by means of centring pins
- In the corner joints type KL and KLE, the boreholes for the screws can be tapped with a plastic cap.

Material:

Black powder-coated aluminium

Scope of delivery:

Comprises all the parts necessary for the assembly of two or three profiles



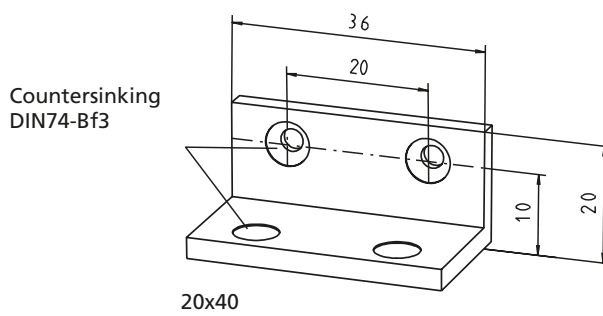
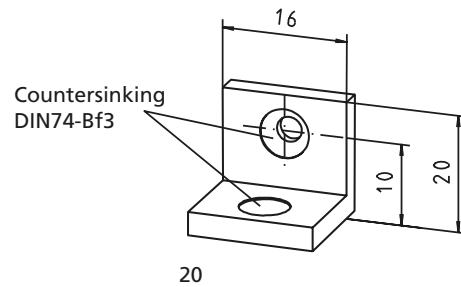
[mm]

Code No.	Type	A	B	C	D
E04036BHE	KL 20	20	20	3.4	
E09035BHE	KLE 20	20	20	3.4	
E00041BHE	KLK 20	20	20	3.4	
E04059BHE	KLA 20	20	20	3.4	
Plastic caps (black)					
E00061DAG	KL/KLE 20	Pack of 100			



Profile angle bracket

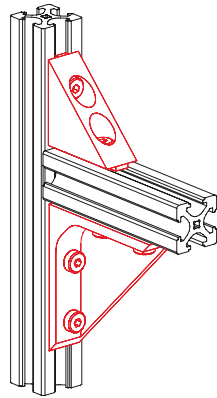
Material:
Aluminium, vibration finished
Scope of delivery:
without fixation set



Code No.	Type	Slot geometry
E00005BDE	20	All
E03005BDE	20x40	All
E00018AAE	Fixation set 20	20
E03018AAE	Fixation set 20x40	20

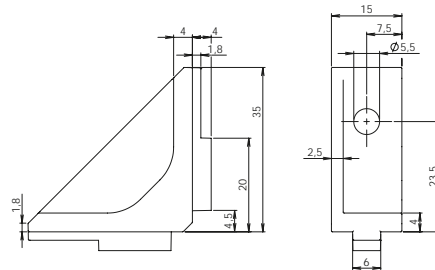


Angle bracket



Material:
Die-cast aluminium
Scope of delivery:
without fixation set

35x35-1



Weight: 17 g

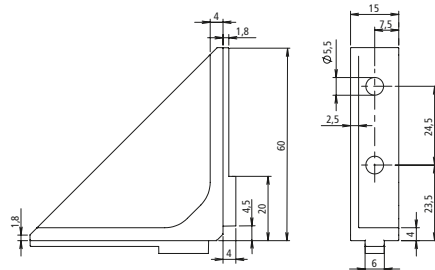
F: 750 N

M: 14 Nm

F= 1300 N

Code No.	Type	Slot geometry
E00062EDE	Angle bracket 35x35-1	20
E00065AAE	Fixation set	20

60x60-1



Weight: 33 g

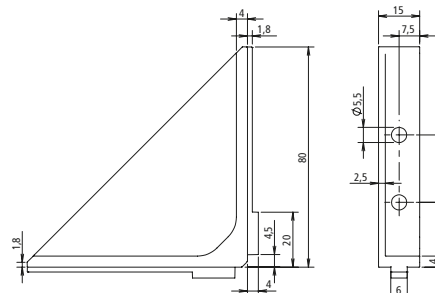
F: 1500 N

M: 38 Nm

F= 2600 N

Code No.	Type	Slot geometry
E00063EDE	Angle bracket 60x60-1	20
E00066AAE	Fixation set	20

80x80-1



Weight: 49 g

F: 1500 N

M: 56 Nm

F= 2600 N

Code No.	Type	Slot geometry
E00064EDE	Angle bracket 80x80-1	20
E00066AAE	Fixation set	20

Mitre joint -transverse-

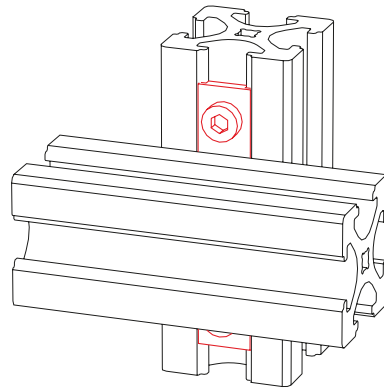
- This assembly set is used to achieve cross connections without drilling.
- The profiles are adjustable and can be later added to existing constructions.
- The parts are self-centring so that no adjustment of the profiles is needed.

Material:

Galvanised steel

Scope of delivery:

Complete with fixation set

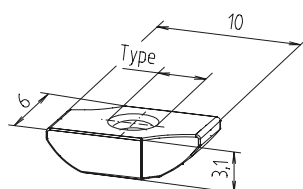


Code No.	Type	Version
E00016AAE	20	with slot stone -B-

Slot stone -B-

- For the fixation of flange brackets, profile connectors and angle brackets
- The slot stone can be inserted into the slot at any desired position and turns in the correct clamping position when tightening

Material:
Galvanised steel

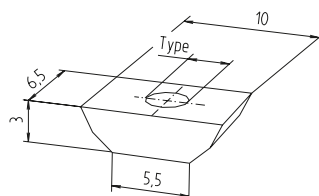


Code No.	Type	Pack of	F [N]
E00017CEH	M3	10	2000
E00058CEH	M4	10	2000

Slot stone -PLM-

- For the fixation of flange brackets, profile connectors and angle brackets
- The slot stone PLM is inserted into the profile laterally

Material:
Galvanised steel



Code No.	Type	Pack of	F [N]
E00037CEH	M3	10	2000
E00038CEH	M4	10	2000
E00039CEH	M5	10	2000

Screws

Material:
Galvanised steel
Scope of delivery:
Pack of 100



DIN 7516-D



DIN 912

Code No.	Type	Usage
E00029CEG	M3x6 / DIN 912	Slot stone -B-
E00033CEG	M3x12 / DIN 7516-D	Fix. Flange bracket/Profile

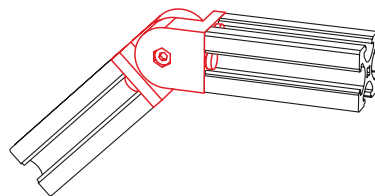
Accessories M-BLOCAN®

Profile angle bracket

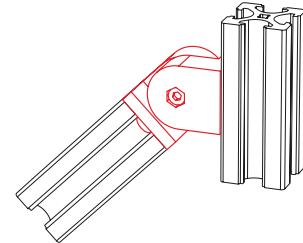
- Depending on the fixation set, for an end-to-end connection or the fixation to the longitudinal slots.
- Continuously adjustable through 180°, it can be fixed in any desired position by means of a clamping screw

Material:
Black fibre-glass reinforced plastic,
Galvanised steel fixation

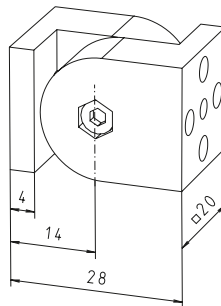
Scope of delivery:
Complete with fixation set and
centring pins



End to end

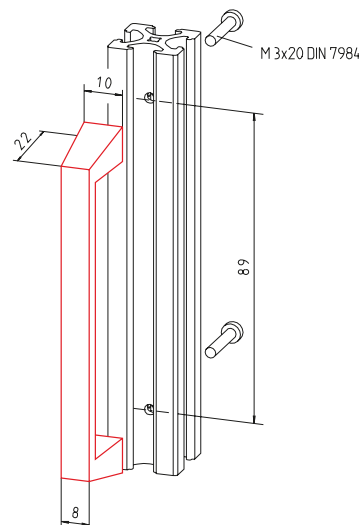


End to slot



Code No.	Type	Version
E00002AAE	20	End to end
E00003AAE	20	End to slot
E00004AAE	20	Slot to slot

Handle



Material:
Die-cast zinc, black

Scope of delivery:
Complete with fixation set

Code No.	Type	for profile
E00022AAE	T-100	all except R20

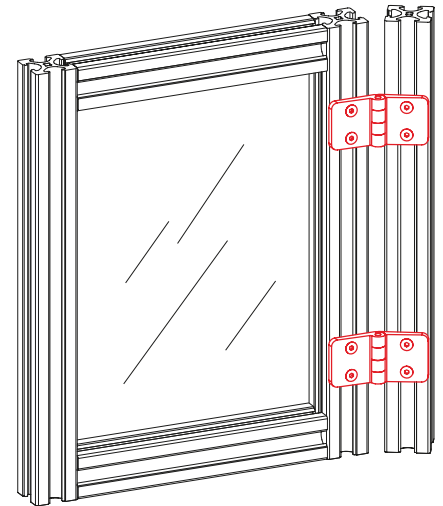
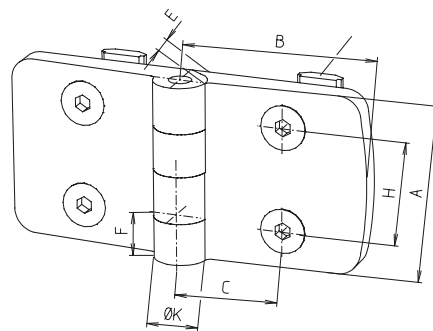
Butt hinge

- Can be attached to all support profiles with slots and surface elements

Material:
Black plastic
Scope of delivery:
Complete with fixation set



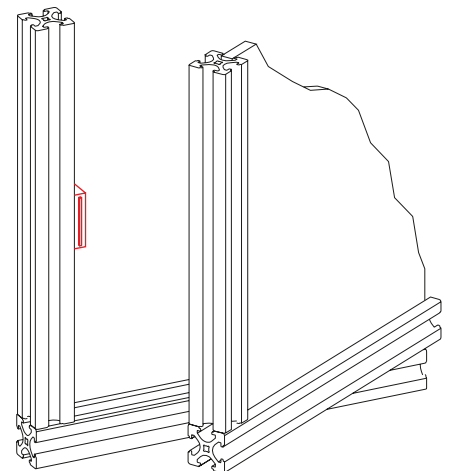
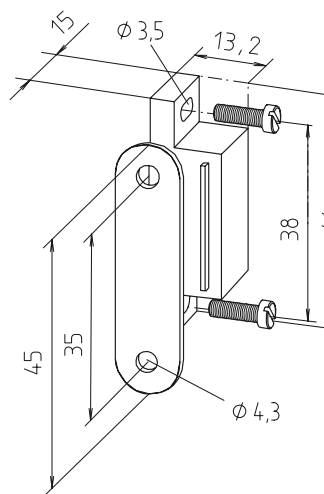
M4x8 DIN7991
Slot stone -B- M4



Code No.	Type
E00049DAE	Butt hinge 20 with fixation set

Magnetic lock

Material:
Plastic, galvanised steel parts
Scope of delivery:
Complete with fixation set



Code No.	Type	for profile
E00024DAA	Surface element with frame	all

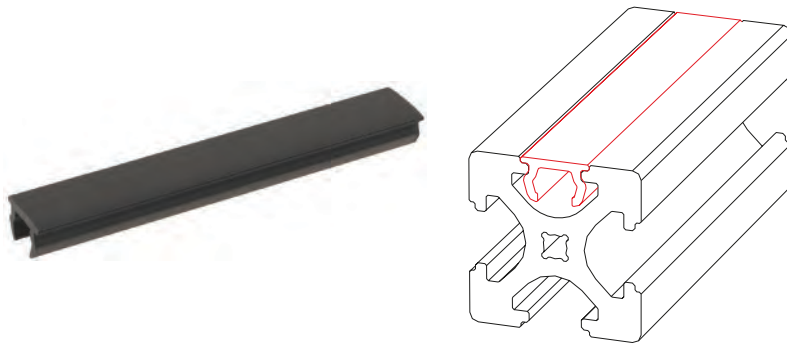
Accessories M-BLOCAN®

Cover profile







- For a flush covering of longitudinal slots, protecting against dirt and retaining cables laid in the slots

Material: Plastic

Please note that due to typographical reasons the colours listed above can only be an approximate representation of the corresponding RAL colours.



Code No.	Type		
E00024DAC	Bar	Black	2000mm
E00024D_C	Bar	coloured	2000mm

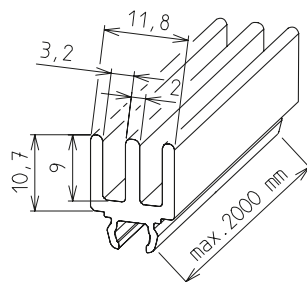
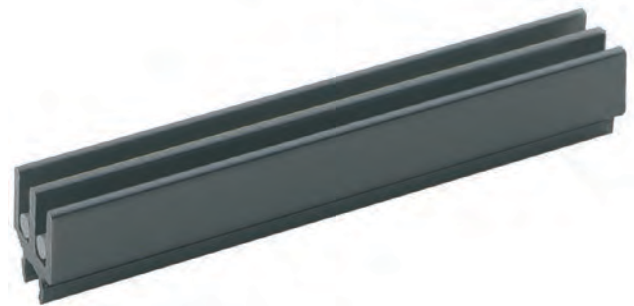
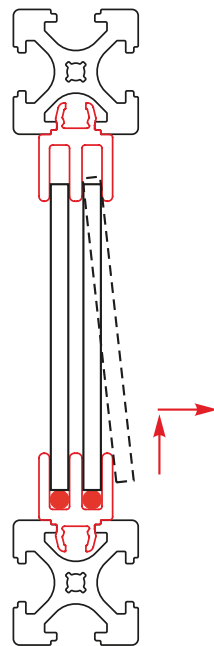
Colour of cover profile			
—	L		Light grey RAL 7035
—	K		White aluminium RAL 9006
—	M		Rape yellow RAL 1021
—	N		Traffic red RAL 3020
—	P		Signal blue RAL 5005
—	A		Black RAL 9005

Sliding door profile

- Thanks to this special PVC profile, sliding doors are easily integrated into profile constructions

Material:
Black plastic

Cut-to-size dimensions type:
Frame internal height of aluminium profile up to 13 mm



Code No.	Type
Sliding door profile with PVC-bead-moulding	
E00068DAD	Bar
E00068DAB	Cut to size
Sliding door profile without PVC-bead-moulding	
E00068DAC	Bar
E00068DAA	Cut to size

Vario-Quick holding block R

- Used for the later fixation of surface elements into existing profile constructions without screws.
- A toothed slider provides for the clamping, whereas spacer blocks can be used to fix surface elements of varying thickness
- Clamping range for surface elements: 0.5 - 5 mm
- Plate depth allowance: Frame internal width up to 4 mm on all sides

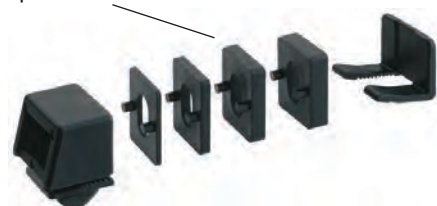
Material:

Black plastic

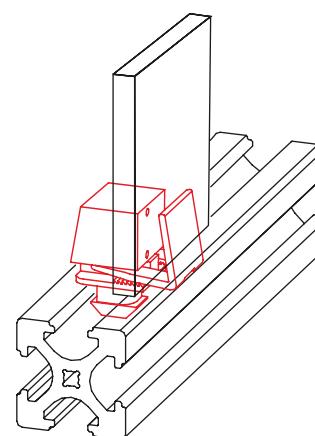
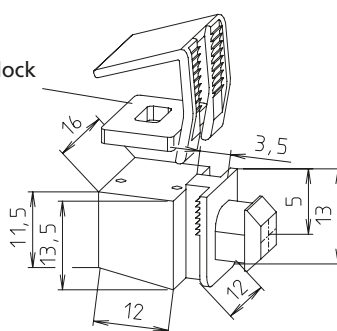
Scope of delivery:

1 pack of 10 pcs

Spacer blocks



Spacer block optional

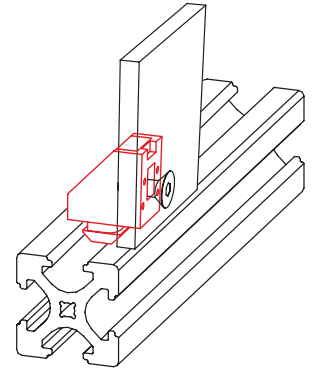
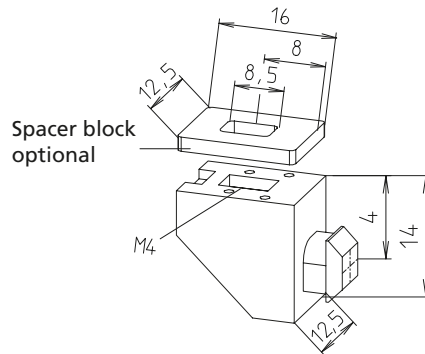
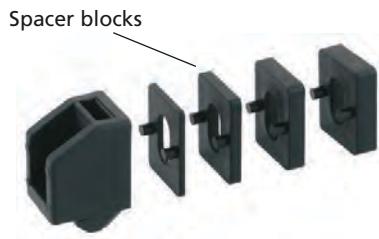


Code No.	Type
E00051DAH	Holding block R, 20 slot geometry
E00053DAH	Spacer block 1 mm
E00054DAH	Spacer block 2 mm
E00055DAH	Spacer block 3 mm
E00056DAH	Spacer block 4 mm

Vario-Quick holding block S

- In contrast to the Vario-Quick holding block R, here the surface element is screwed to the Vario-Quick holding block S.

Material:
Black plastic,
Galvanised square nut
Scope of delivery:
1 pack of 10 pcs

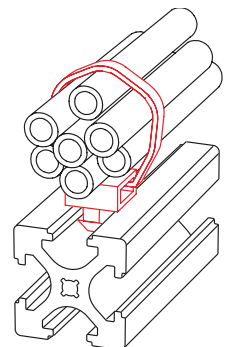
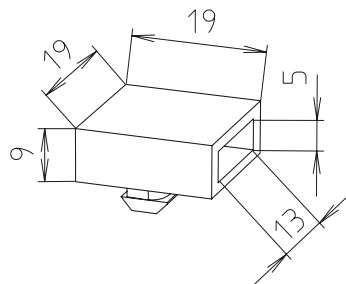
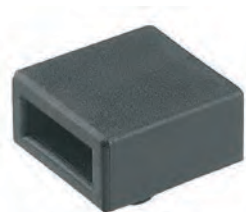


Code No.	Type
E00052DAH	Holding block S, 20 slot geometry
E00053DAH	Spacer block 1
E00054DAH	Spacer block 2
E00055DAH	Spacer block 3
E00056DAH	Spacer block 4

Vario-Quick holding block K (cable bracket)

- The holding block K is used for the fixation of cables and pipes to the profile by means of a cable fastener
- It can be inserted directly into the slot.

Material:
Black plastic
Scope of delivery:
1 pack of 10 pcs



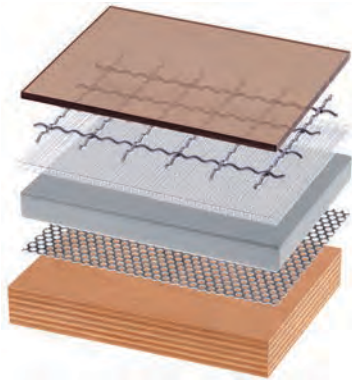
Code No.	Type
E00060DAH	Holding block K, 20 slot geometry

Accessories M-BLOCAN®

Surface element

- For doors, cladding, partitions and table tops.

Cuts according to instructions!



Code No.	Type	Thickness	Version	Max. panel size [m]	Weight [kg/m ²]
4018584	Macrolon	2 mm	transparent	3.05 x 2.05	2.40
4018585	Macrolon	3 mm	tinted	3.05 x 2.05	3.60
4018586	Macrolon	4 mm	transparent	3.05 x 2.05	4.80
4018587	Macrolon	4 mm	tinted	3.05 x 2.05	4.80
4018576	Macrolon	6 mm	transparent	3.05 x 2.05	7.20
4018579	Macrolon	6 mm	tinted	3.05 x 2.05	7.20
4018582	Acrylic glass	4 mm	transparent	3.05 x 2.05	4.80
4018583	Acrylic glass	4 mm	tinted	3.05 x 2.05	4.80
4018575	Acrylic glass	6 mm	transparent	3.05 x 2.05	8.00
4012575	Acrylic glass	6 mm	tinted	3.05 x 2.05	8.00
4012576	Trespa	6 mm	brown	3.65 x 1.86	8.40
4012586	Trespa	6 mm	silver grey	3.65 x 1.86	8.40
4018570	Koematex	6 mm	white	3.05 x 1.56	4.20
4015573	Aluminium	2 mm	clear anodised	2.00 x 1.00	5.40
4016577	Wire mesh	2.5 mm	Galvanised steel	1.40 x 2.50	2.40






Caps

- For end covering of profiles
- Thickness of caps 2 mm.

Material: Plastic
Please note that due to typographical reasons the colours listed above can only be an approximate representation of the corresponding RAL colours.



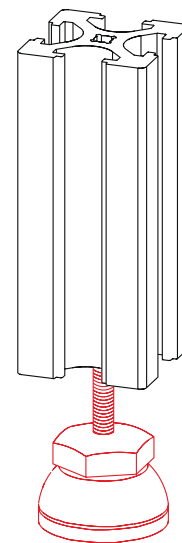
-  Light grey RAL 7035
-  White aluminium RAL 9006
-  Black RAL 9005

Code No.	Type	Colour
E01025DAE	20	black
E01025KAE		RAL 9006
E01025LAE		RAL 7035
E02025DAE	R 20	black
E02025KAE		RAL 9006
E02025LAE		RAL 7035
E03025DAE	20x40	black
E03025KAE		RAL 9006
E03025LAE		RAL 7035

Foot

- The foot is screwed directly into the screw channel of the M-BLOCAN® profile.

Material: Galvanised steel thread, Black plastic foot



Code No.	Type
E00057AAE	20

Visible profiles of accessories (G-profiles)

Versions

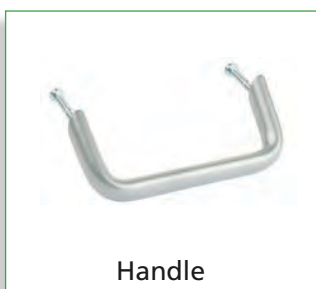
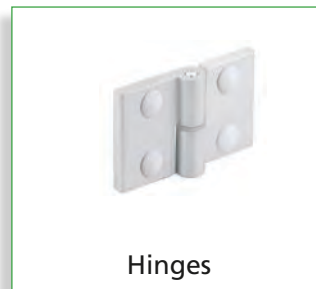


Table of contents

Accessories

- Connecting technology p. 346
- Slot stones p. 350
- Angle brackets p. 351
- Vario-Quick holding block S p. 351
- Plastic foot..... p. 352
- Levelling foot p. 352
- Hinges p. 353
- Handle profile p. 354
- Handle p. 354
- Magnetic lock p. 354
- Caps..... p. 355
- Cover caps..... p. 355

Connecting technology G-profiles

- G-profiles are connected by simple screw connections which are directly screwed into the screw holes of the profiles.
- A through bore hole is drilled into the passing profile of the connection using a template.

- Only one cylinder screw, (40 mm-profile), or two cylinder screws in case of the 40 x 80 mm-profile, is necessary for a rigid connection.
- Optionally, the clamping bolt connection can also be used in a similar way.

- For crossing connections, a special connecting element (see page 348) is being offered.



Through bore hole \varnothing 6.5 mm
for rotation preventing pin

- Position the drilling template and drill the through bore hole of \varnothing 6.5 mm. If necessary, in case the profile G-40 is used, drill an additional bore hole for the rotation preventing pin.

Code No.	Type
4006650	Drilling template

Connection with cylinder screw



- For cylinder screw connections, the top side is drilled out to \varnothing 11 mm until the bottom of the first slot is reached.

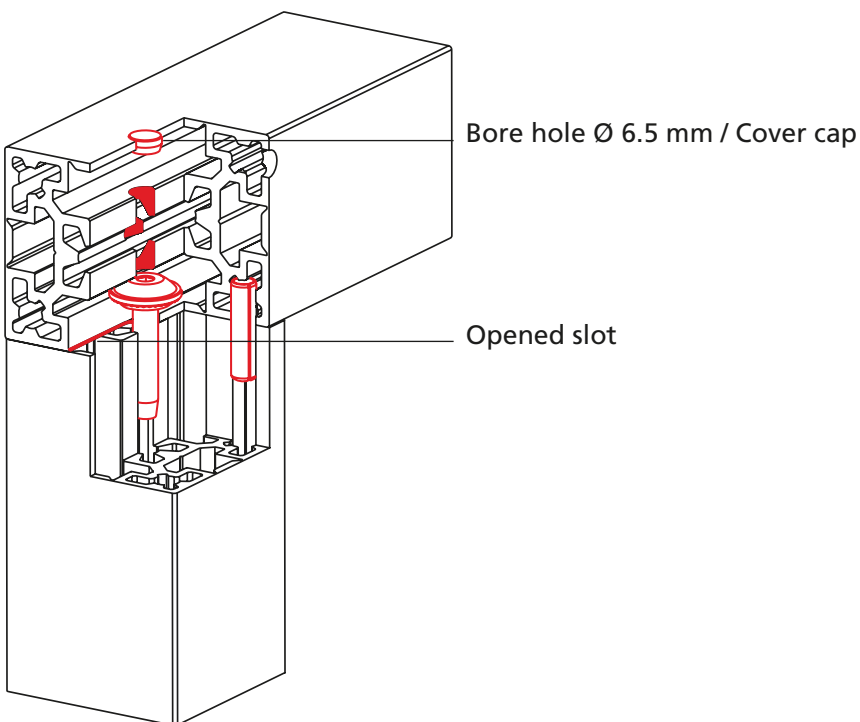
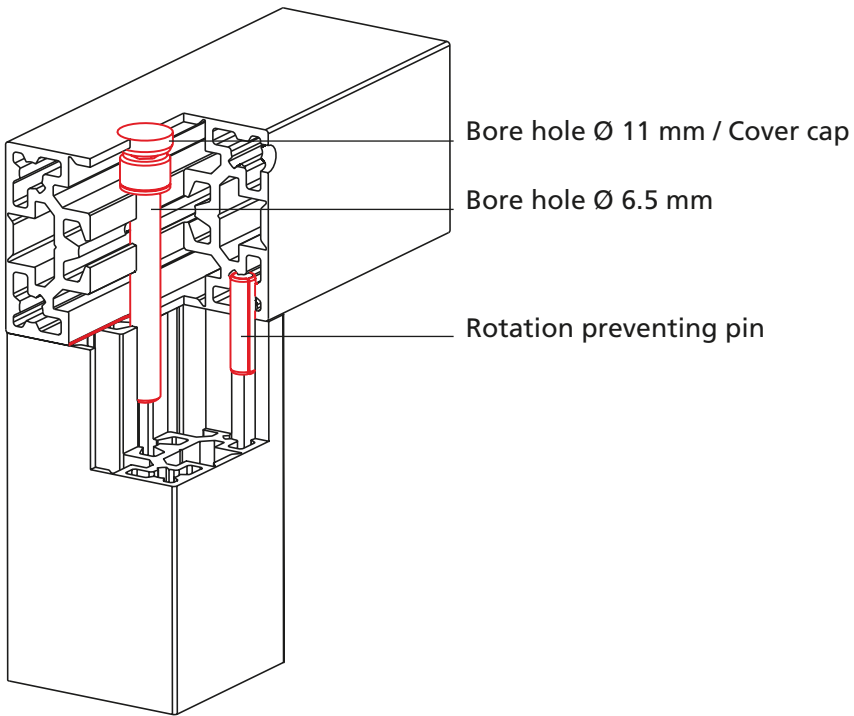
Code No.	Type
4B60504	Cyl. screw M6x80, A2, set of 10 pcs
4B60505	Cyl. screw M6x90, A2, set of 10 pcs

Connection with hidden screw



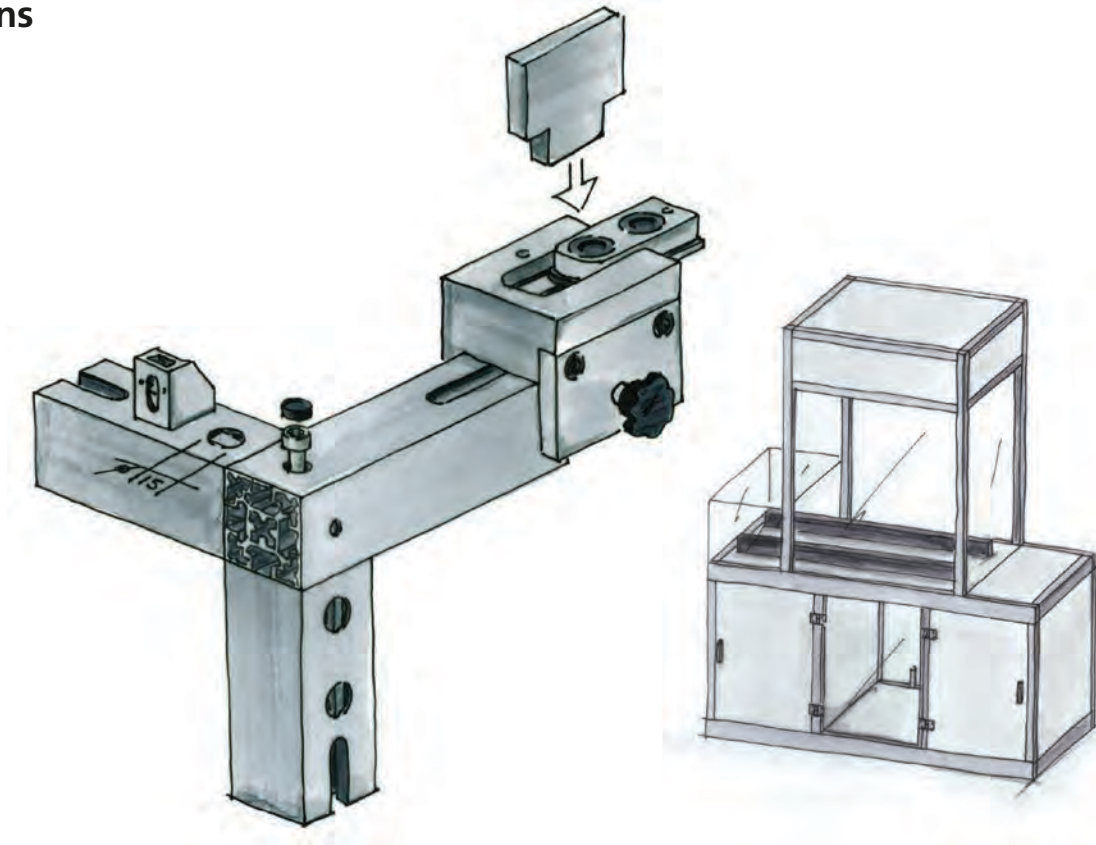
- For the hidden screw connection, the profile slot is levered out or preferably chiselled out precisely using the RK tool (see page 349). After that, the hidden screw can be slid in from the side. Refer to the sketch on page 347.

Code No.	Type
4B60502	Hidden screw M6X30, galvanised, set of 10 pcs



Connecting technology G-profiles

Versions



G-connectors

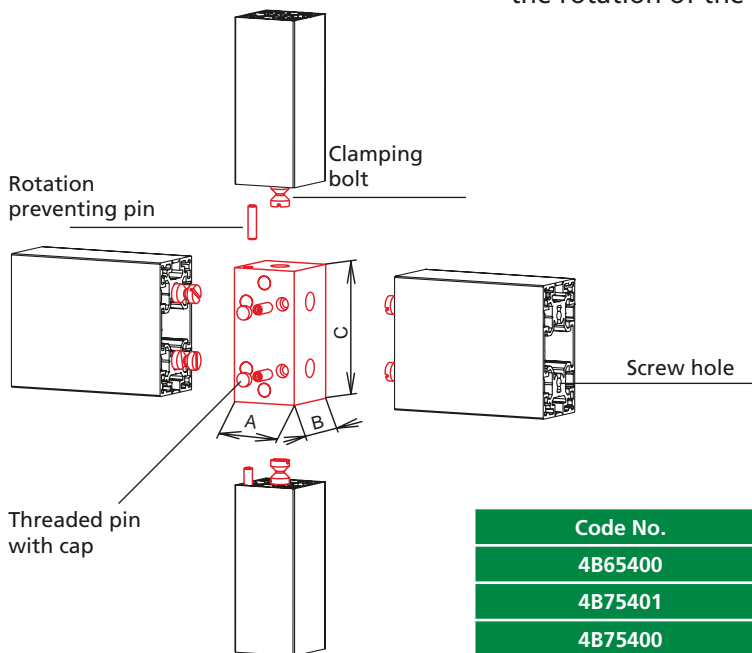


- The G-connector serves for connecting crossing G-profiles to each other (without profile processing). For this, the clamping bolts are inserted into the screw hole and then the profile is clamped by tightening the threaded pins. The profile G-40x40 has a pin that prevents the rotation of the profiles.

Material: Aluminium

Scope of delivery:

The order number involves all parts needed for the complete assembly of a connection.

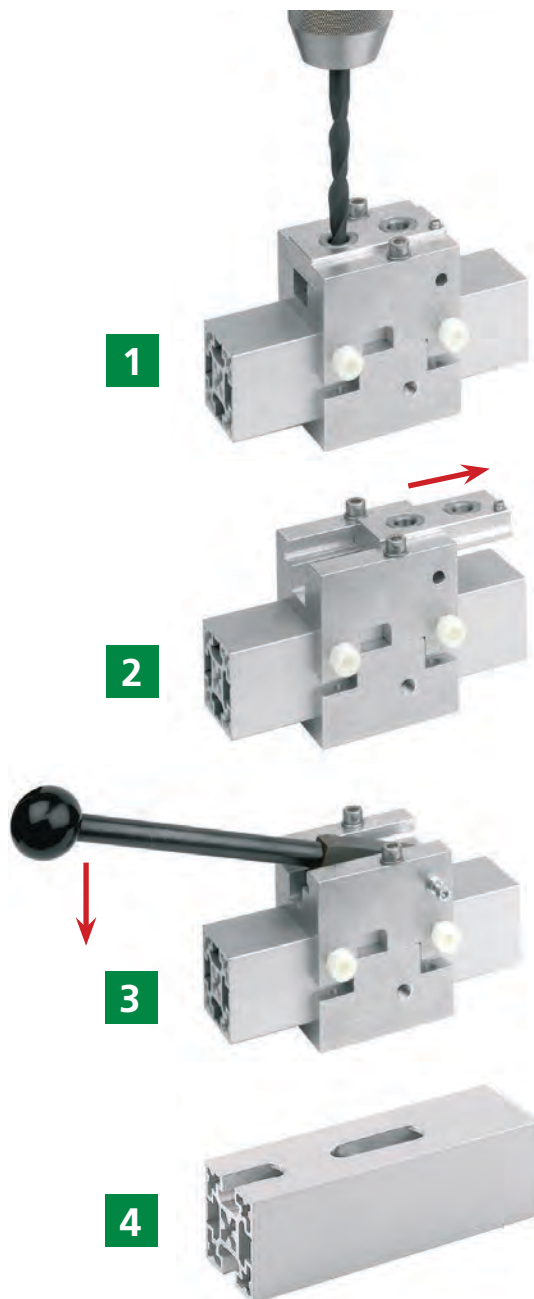


Code No.	Type	A	B	C
4B65400	K 40	40	40	40
4B75401	K 40/80	40	40	80
4B75400	K 80	80	40	80

Opening of the profile slot

Drill and chisel tool for G-profiles

- When the G-profiles were designed, special attention was given to the fact that, if necessary, the hidden profile slots shall be accessible. This is possible simply by chiselling out the covered slot. In this way, accessories can be attached without problems or the profiles can be connected to each other.



1.) A bore hole is drilled on the end points of the desired position. For attaching accessories, two bushes are installed in a defined distance.

2.) After that, the drilling template is removed.

3+4.) The profile slot is chiselled out using a stamp.

Code No.	Type
4006651	Drill and chisel tool 40
4006653	Drill and chisel tool 80

Accessories G-Profiles



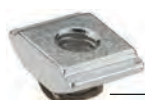
Slot stones

■ The slot stones can also subsequently be placed or inserted into the profile groove.

■ The slot stone with spring clip (type-F/K-) can be fixed at any desired position.

Material: Galvanised steel

-F-



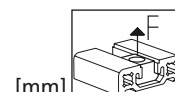
Spring clip

-K-



Spring clip

-R-



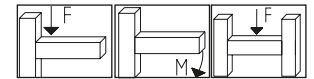
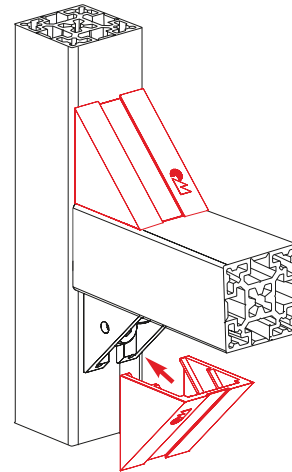
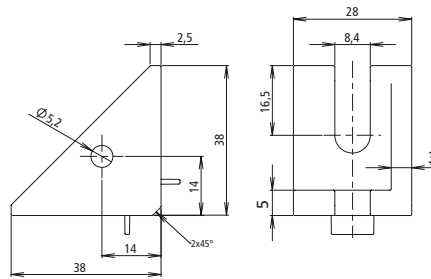
Code No.	Type	A	B	C	D	E	F
4006715	-F- / M4	10	14	4	-	M4	3500
4006713	-F- / M5	10	14	4	-	M5	4000
4016212	-K- / M6	21	14	4	7	M6	5000
4016213	-K- / M8	21	14	4	7	M8	8000
4026221	-R- / M6	15	8	10	-	M6	8000
4026222	-R- / M8	15	9	10	-	M8	8000

Angle brackets



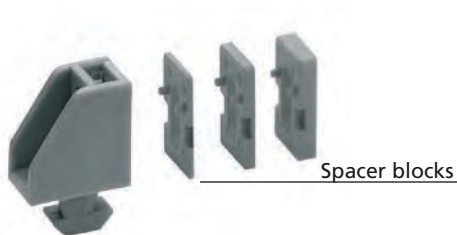
- A centring nib facilitates the assembly and prevents the bracket from twisting. Should the nibs not be required, they can be snapped off with a pair of tongs.
- Angular tolerance $90^{\circ} \pm 5'$.

Material: Die-cast zinc,
Cover made of plastic RAL9006
Fixation set made of stainless steel



Code No.	Type	F [N]	M [Nm]	F [N]
4014102	Angle bracket 40	2200	45	4000
4018104	Plastic cap 40, RAL 9006	-	-	-
4029208	Fixation set M8x16, slot stone -N-	1 slot stone with screw, washer		

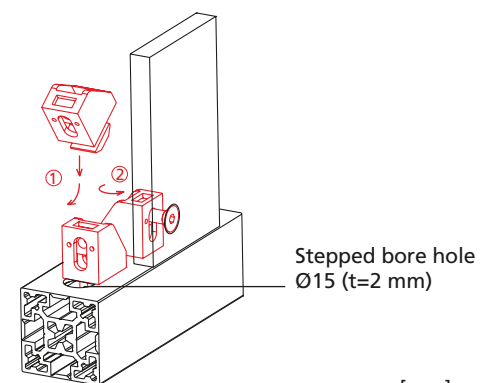
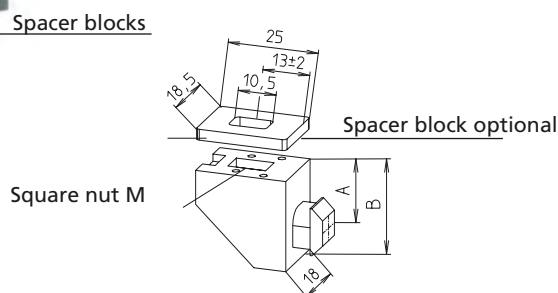
Vario-Quick holding block S



Spacer blocks

- Used for the later fixation of surface elements to existing profile constructions.
- The surface element is screwed to the holding block.
- Spacer blocks allow for different distances to the profile edge.

Material: Plastic, RAL 9006
Stainless steel square nut
Scope of delivery:
1 pack of 10 pcs



Code No.	Type	Version	A	B	M
4018154	Holding block S	40 slot geometry	10	25	M4
4018134	Holding block S	40 slot geometry	10	25	M6
4018136	Spacer block S/L	2 mm	-	-	-
4018137	Spacer block S/L	3 mm	-	-	-
4018138	Spacer block S/L	5 mm	-	-	-
4006648	Stepped drill	Ø 8 / 15	-	-	-
4006649	Countersink	Ø 15 - 90°	-	-	-

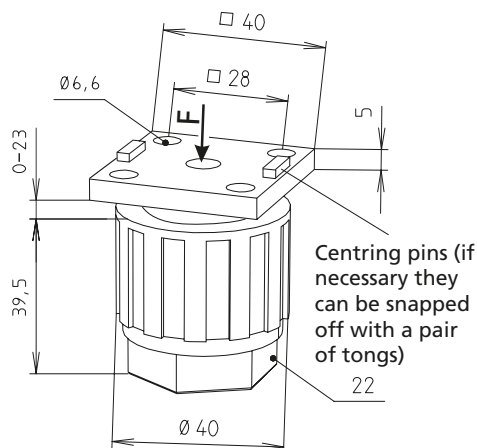
Foot –plastic–



- Thanks to its attractive design, the plastic foot can be considered an alternative to the conventional swivel feet.
- The height adjustment does not require tools.

Material: Plastic RAL9006

Scope of delivery: complete foot with fastenings to be applied to a profile.



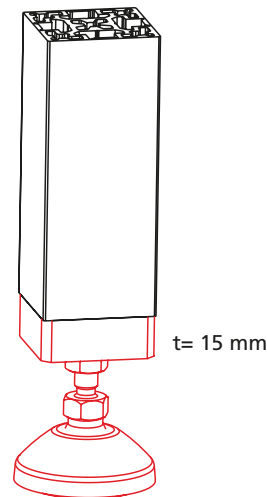
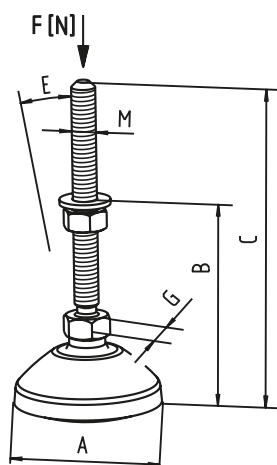
Code No.	Type	F [N]
4018302	40 slot geometry	1200

Levelling foot



- The levelling feet are screwed into the profile using the connecting plate at the face.
- Note: If the profile G 40 x 40 mm is used, the middle screw hole has to be drilled out.

Material: Thread and screws made of stainless steel, hinge disc made of plastic (RAL9006), connecting plates made of aluminium.



Code No.	Type	A	B _{min.}	C	M	E	G	F [N]
4016321	Levelling foot	39	38.5	55	M8	20°	14	9,000
4016322		59	40	100	M10	20°	14	10,000
4016323		79	42	128	M12	20°	14	10,000

Code No.	Type	A	Profile
4014432	Connecting plate	M8	G-40x40
4014433		M10	G-40x40
4014434		M12	G-40x40

Code No.	Type	A	Profile
4034434	Connecting plate	M8	G-40x80
4034432		M10	G-40x80
4034433		M12	G-40x80

Hinges 2-part

- The hinges can be mounted on all brace profiles and/or surface elements. In case of lift off hinges, flaps and doors can be removed easily.

Material: Aluminium, Steel parts made of stainless steel
A fixation set (assembly of profiled parts) is supplied with the unit.

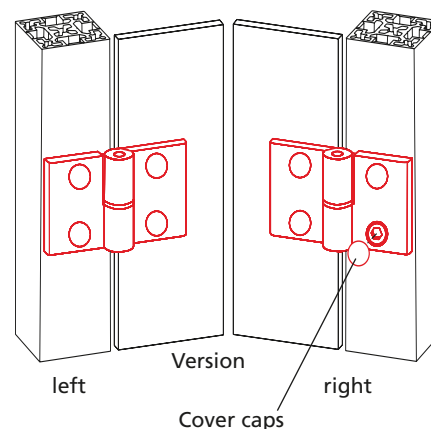
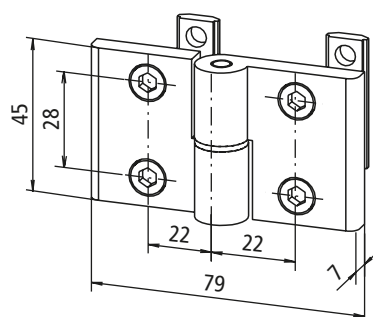
Lift off hinges



Butt hinge



Slot stone -L- M6



Code No.	Type	Slot geometry
4015510	Lift off hinge -left-	40
4015511	Lift off hinge -right-	40
4015513	Butt hinge	40

Hinges 3-part

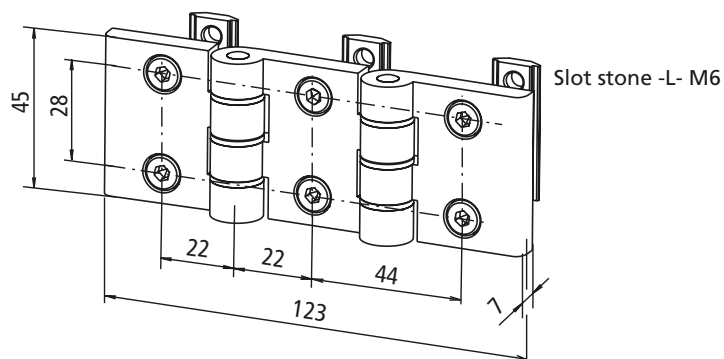
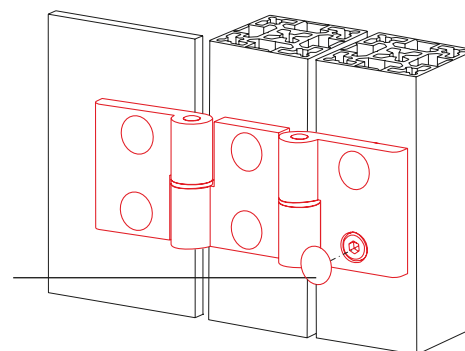
Lift off hinge



Butt hinge



Cover cap



Code No.	Type	Slot geometry
4015512	Lift off hinge	40
4015514	Butt hinge	40

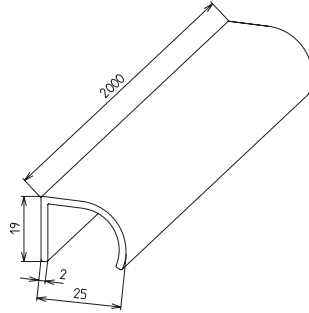
Accessories

Handle profile



- The stylish handle profile is available in bars that can be cut to length if required. Fitting holes are to be bored by the customer.

Material: Aluminium



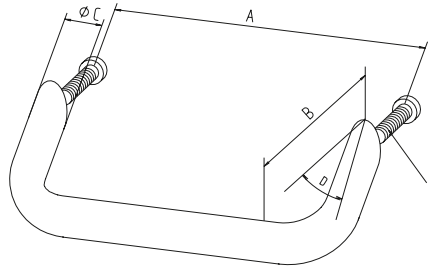
Code No.	Type
4015595	Handle profile, bar 2000 mm

Handle



- Complete with fastenings

Material: Aluminium, powder-coated RAL 9006, Galvanised fixation set



[mm]

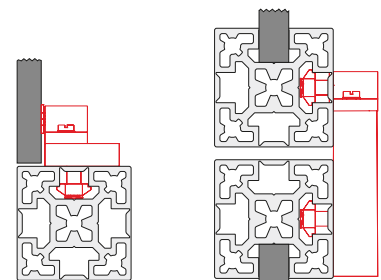
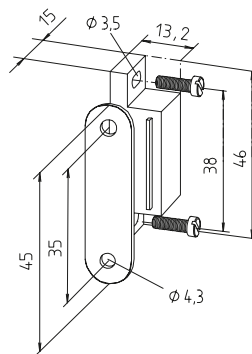
Code No.	Type	A	B	C	D	E
4015599	Handle	128	50	20	35°	M6x40

Magnetic lock



- Magnetic lock complete with holder and fixation set.

Material: Plastic, galvanised steel parts, aluminium holder, stainless steel fixation set



Type 1: without frame / Type 2: profiles central

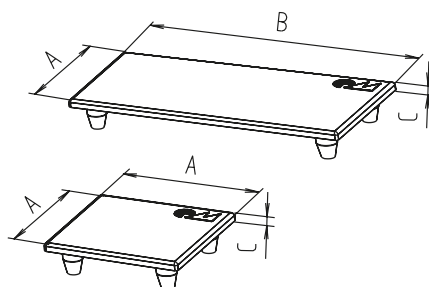
Code No.	Type
4010605	1. without frame
4010604	2. profiles central

Cover cap



- Plastic cover cap for end covering of G-profiles.

Material: Plastic, RAL9006



Code No.	Type	A	B	C
4B68421	4G-40x40	40	40	3
4B78421	4G-40x80	40	80	3

[mm]

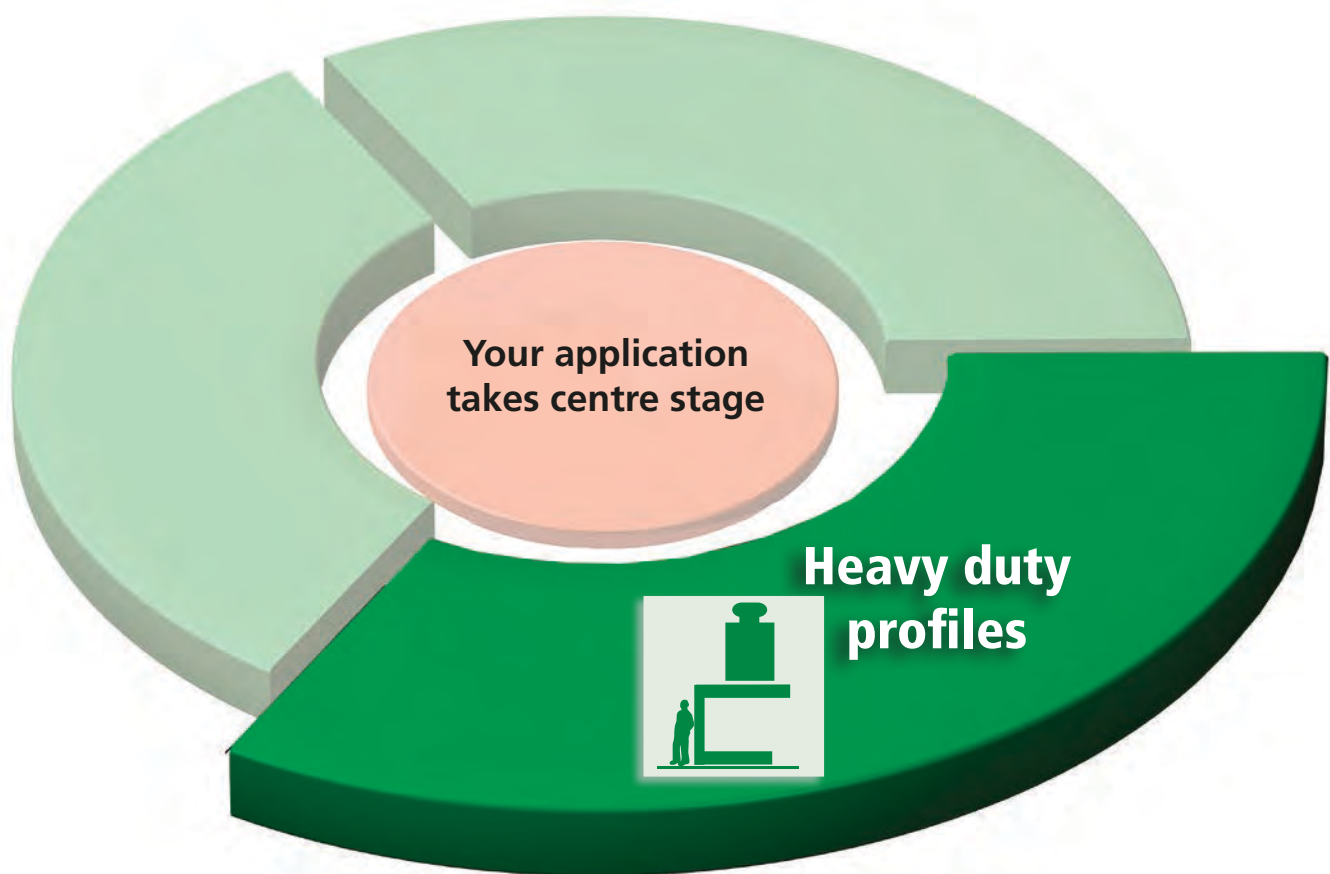
Cover cap



- The screw heads and drill bores of the accessories are covered with caps. If necessary, they can be re-ordered as a pack.

Material: Plastic RAL 9006

Code No.	Type	Pack of
4B68500	Fixation set hidden screw	100 pcs
4B68501	Fixation set cylinder screw	100 pcs
4018503	Hinges	100 pcs
4B68502	G-connector	100 pcs



Features:

- ✓ Highly dynamic
- ✓ Large structures
- ✓ Easily transportable



Heavy loads
with maximum stability

Profile general overview p. 358

Heavy duty profiles S. 360

Load data p. 364

Connection techniques p. 366

Accessories p. 376

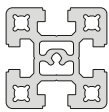
Heavy duty profiles

Heavy duty profile overview

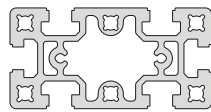


■ Heavy duty profiles sizes

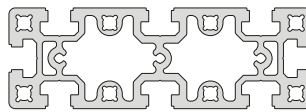
80



D-80x80
p. 360

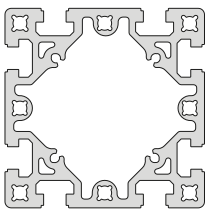


D-80x160
p. 360

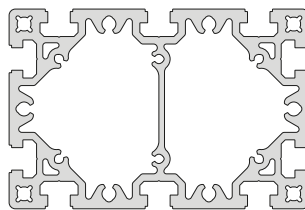


D-80x240
p. 361

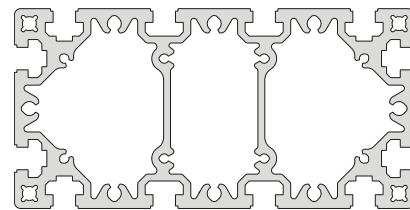
160



D-160x160
p. 361



D-160x240
p. 362



D-160x320
p. 363

Profiles

- Overview p. 358
- Size 80 + 160 p. 360 - 363

Connection techniques

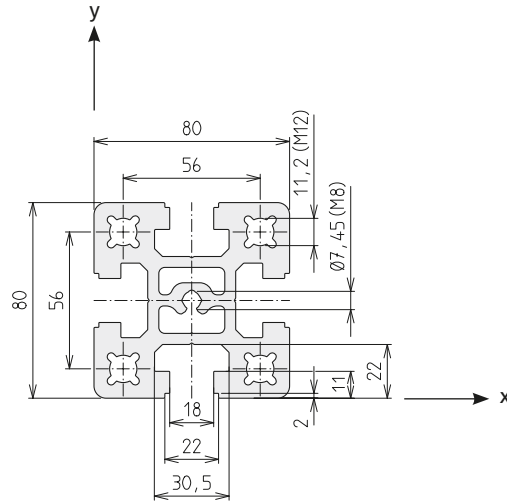
- Press mount connector load data p. 364
- Right-angle connections p. 368
- Cross connections p. 372
- Angle connections p. 374
- Face-to-face and parallel connections p. 375

Accessories


- Slot stones from p. 378
- Profile covers from p. 382
- Feet from p. 384
- Connecting plates from p. 386

Heavy duty profiles / size 80

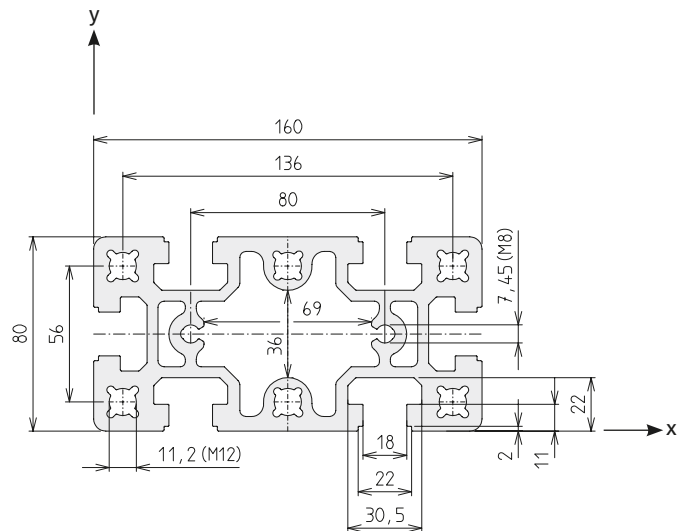
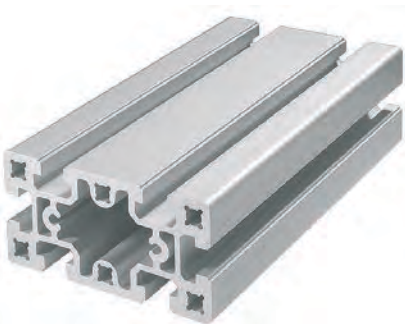
D-80x80



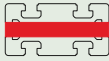

Area	3200	mm ²
I _x	198.0	cm ⁴
I _y	199.3	cm ⁴
W _x	49.6	cm ³
W _y	49.8	cm ³
Weight	8581	g/m

Code No. Profile D-80x80			Anodised	
4C45000	Cut to size	max. 6000 mm	Clear	
4C45001	Bar	6000 mm	Clear	
Connection	Quantity required per conn.	Slot geometry	Press mount connector	Code No. /unit
 Press mount connector long.+transverse	1	D	-N- 80	4C16701

D-80x160



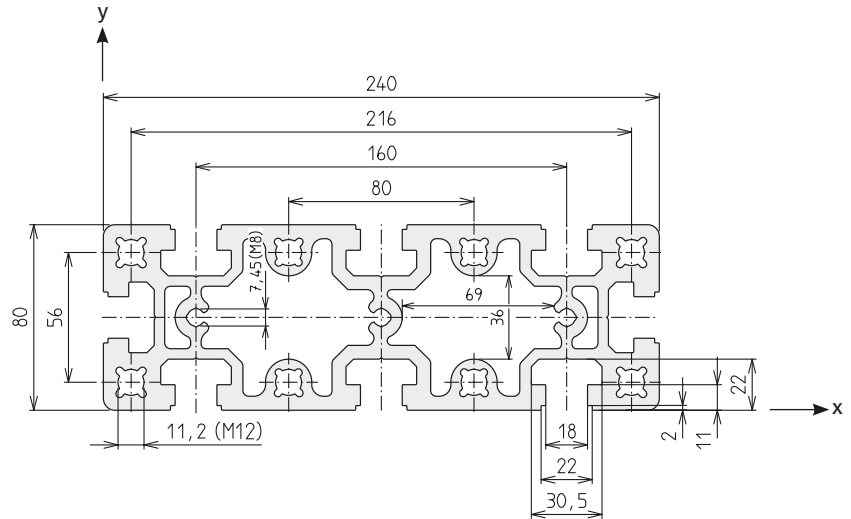
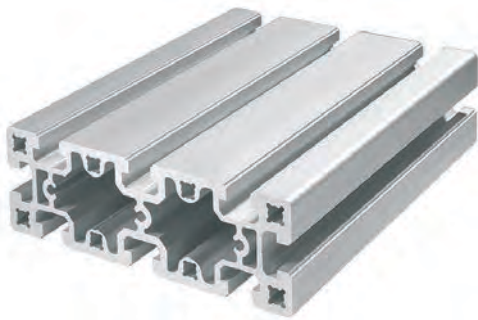
Area	5212	mm ²
I _x	367.5	cm ⁴
I _y	1397.0	cm ⁴
W _x	91.6	cm ³
W _y	174.6	cm ³
Weight	14073	g/m

Code No. Profile D-80x160			Anodised	
4C15000	Cut to size	max. 6000 mm	Clear	
4C15001	Bar	6000 mm	Clear	
Connection	Quantity required per conn.	Slot geometry	Press mount connector	Code No. /unit
 long.	1	D	-N- 160	4C16700
 transverse	2		-N- 80	4C16701

Note: Holes are designed as self-tapping screw channels (M8/M12)



D-80x240

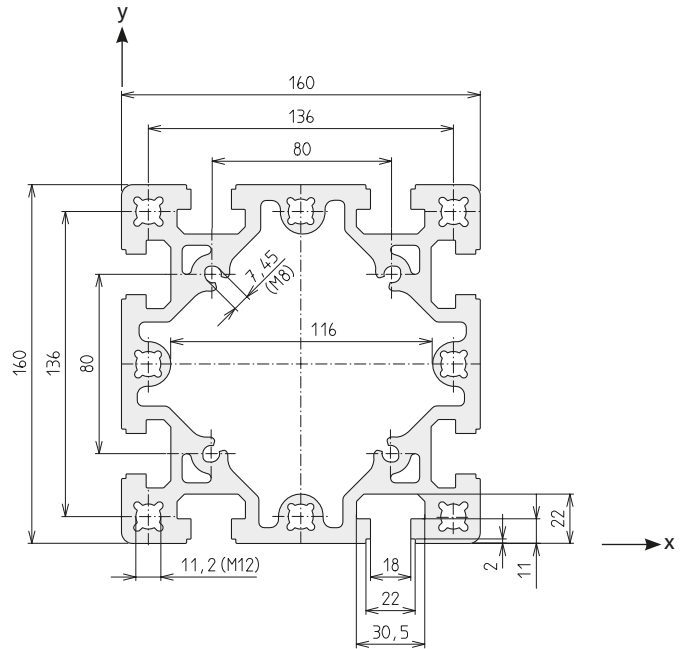
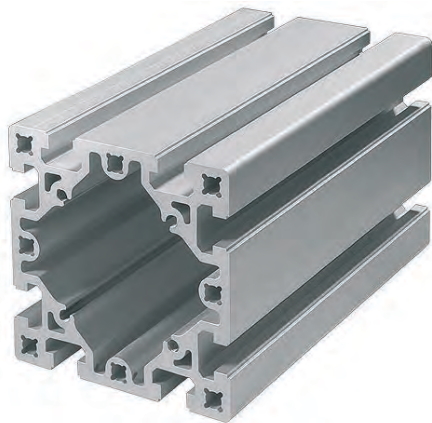


Code No. Profile D-80x240			Anodised
4C55000	Cut to size	max. 6000 mm	Clear
4C55001	Bar	6000 mm	Clear

Area 7422 mm²
 I_x 540.8 cm⁴
 I_y 4268.2 cm⁴
 W_x 135.2 cm³
 W_y 355.7 cm³
 Weight 20015 g/m

Connection	Quantity required per conn.	Slot geometry	Press mount connector	Code No. / unit
long.	1	D	-N- 240	4C56700
transverse	3		-N- 80	4C16701

D-160x160



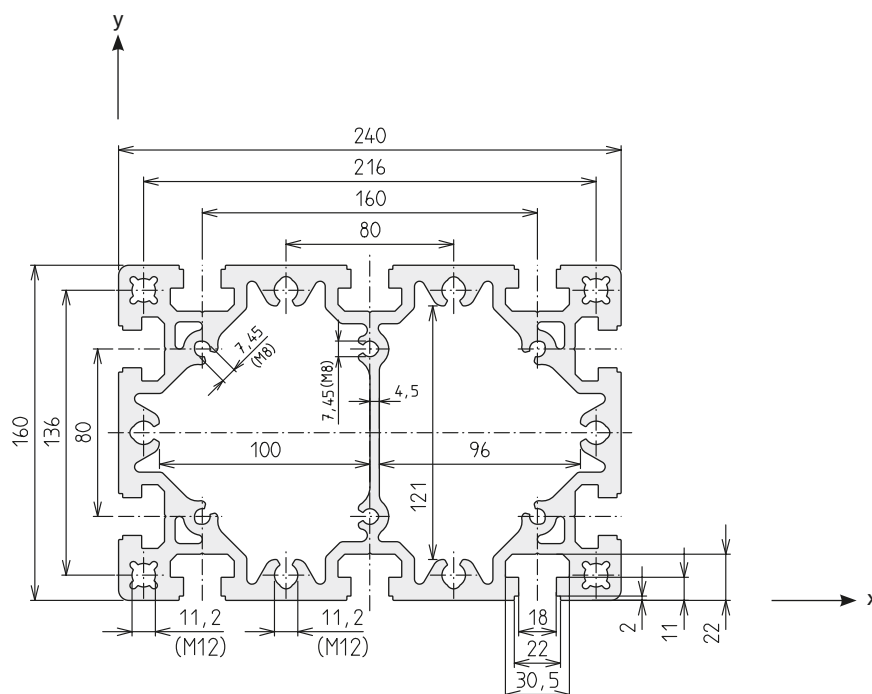
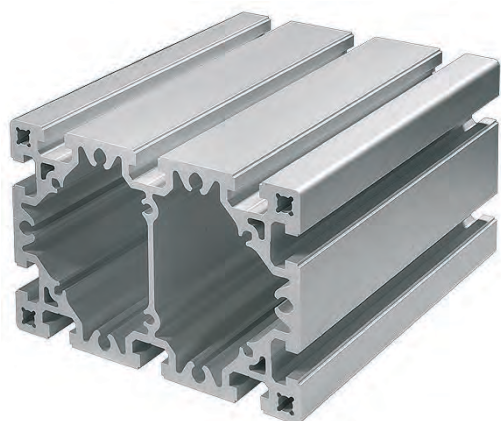
Code No. Profile D-160x160			Anodised
4C25000	Cut to size	max. 6200 mm	Clear
4C25001	Bar	6300 mm	Clear

Area 8131 mm²
 I_x 2493.6 cm⁴
 I_y 2493.6 cm⁴
 W_x 311.7 cm³
 W_y 311.7 cm³
 Weight 21955 g/m

Connection	Quantity required per conn.	Slot geometry	Press mount connector	Code No. / unit
long. +transverse	2	D	-N- 160	4C16700

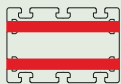

Heavy duty profiles / size 160

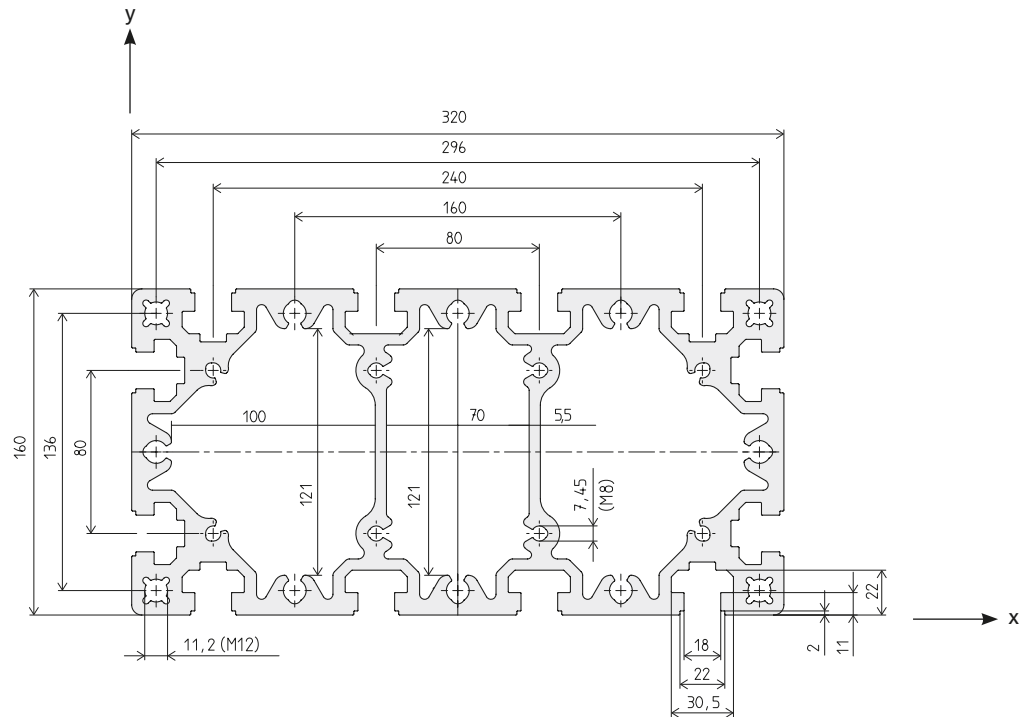
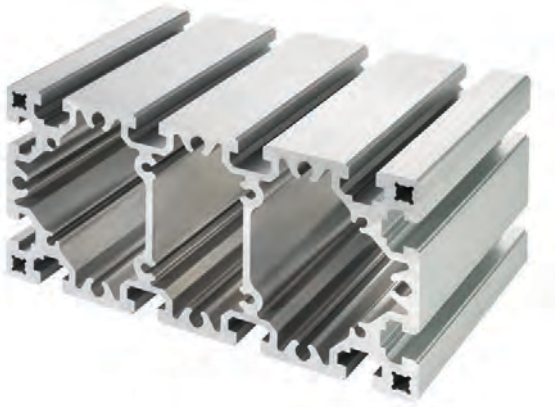
D-160x240



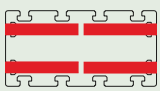

Code No. Profile D-160x240			Anodised
4C65000	Cut to size	max. 6000 mm	Clear
4C65001	Bar	6000 mm	Clear

Area	10986	mm ²
I _x	3601.5	cm ⁴
I _y	7333.4	cm ⁴
W _x	450.2	cm ³
W _y	611.1	cm ³
Weight	29647	g/m

Connection	Quantity required per conn.	Slot geometry	Press mount connector	Code No. /unit
 long.	2	D	-N- 240	4C56700
 transverse	3		-N- 160	4C16700

D-160x320


Code No. Profile D-160x320			Anodised
4C35000	Cut to size	max. 6200 mm	Clear
4C35001	Bar	6300 mm	Clear

Connection	Quantity required per conn.	Slot geometry	Press mount connector	Code No. /unit
 long.	4	D	-N- 160/320	4C36700
 transverse	4		-N- 160	4C16700

Area	13671	mm ²
I_x	4656.0	cm ⁴
I_y	15618.3	cm ⁴
W_x	582.0	cm ³
W_y	976.1	cm ³
Weight	36912	g/m

Note: Holes are designed as self-tapping screw channels (M8/M12)

Load data

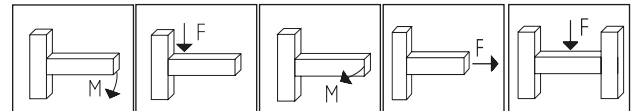
D-profiles with press mount connector -static-



Press mount connector -N-



Press mount connector -R-

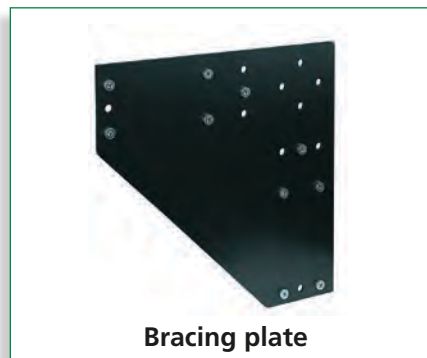
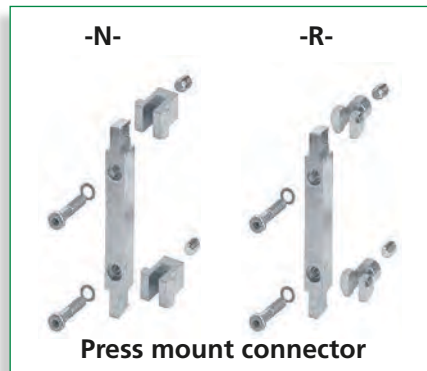


Press mount connectors included	Version	Profile	Weight	M [Nm]	F [N]	M [Nm]	F [N]	F [N]	
1x	Press mount connector Type -N-	80x80	0.30 kg	560	2,900	560	11,000	4,300	
1x		80x160 (long.)	0.52 kg	1,700	7,500	1,120	28,000	11,000	
2x		80x160 (trans.)	0.60 kg	1,700	10,000	1,120	28,000	15,000	
1x		80x240 (long.)	0.73 kg	2,800	6,000	1,120	28,000	9,000	
3x		80x240 (trans.)	0.90 kg	3,000	8,600	1,680	33,000	12,900	
2x		160x160	1.04 kg	3,200	15,000	3,200	56,000	22,000	
2x		160x240 (long.)	1.46 kg	5,600	12,000	5,000	56,000	18,000	
3x		160x240 (trans.)	1.56 kg	5,800	18,000	5,200	79,000	27,000	
4x		160x320 (long.)	2.08 kg	7,800	18,000	4,000	62,000	36,000	
4x		160x320 (trans.)	2.08 kg	8,000	28,000	6,500	98,000	42,000	
1x		Press mount connector Type -R-	80x80	0.25 kg	560	2,900	560	11,000	4,300
1x			80x160 (long.)	0.48 kg	1,700	7,500	1,120	28,000	11,000
2x	80x160 (trans.)		0.50 kg	1,700	10,000	1,120	28,000	15,000	
1x	80x240 (long.)		0.69 kg	2,800	6,000	1,120	28,000	9,000	
3x	80x240 (trans.)		0.75 kg	3,000	8,600	1,680	33,000	12,900	
2x	160x160		0.96 kg	3,200	15,000	3,200	56,000	22,000	
2x	160x240 (long.)		1.38 kg	5,600	12,000	5,000	56,000	18,000	
3x	160x240 (trans.)		1.44 kg	5,800	18,000	5,200	79,000	27,000	
4x	160x320 (long.)		1.92 kg	7,800	18,000	4,000	62,000	36,000	
4x	160x320 (trans.)		1.92 kg	8,000	28,000	6,500	98,000	42,000	

Connection techniques

Versions

Right-angle connections



Cross connections



Angle connections



Face-to-face and parallel connections



Table of contents

Connection techniques	
Right-angle connections	<ul style="list-style-type: none"> ■ Press mount connector from p. 368 ■ Angle bracket..... from p. 370 ■ Bracing plate from p. 371 ■ Corner connecting plate from p. 371
Cross connections	<ul style="list-style-type: none"> ■ Keyed clamp connector -Q- from p. 372
Angle connections	<ul style="list-style-type: none"> ■ Frame joint from p. 374
Face-to-face and parallel connections	<ul style="list-style-type: none"> ■ Keyed clamp connector -P- from p. 375 ■ Connecting plate..... from p. 375

Right-angle connections

Press mount connector

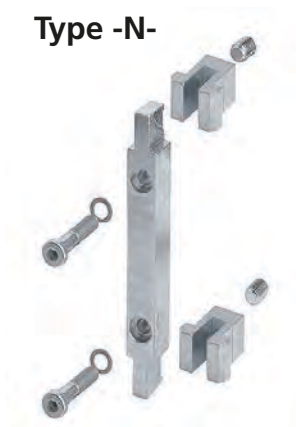
- Simple, cost-effective and high-strength profile connection
- No profile machining necessary
- Can be disconnected at any time and reused
- Minimal effort required in construction

Material: Galvanised steel

Includes:

The Order No. includes one press mount connector. Depending on the orientation of the connection (longitudinal or transverse), the appropriate number of press mount connectors must be ordered. Please note the information and the connection pictograms in the profile data on page 360– 363.

Type -N-



Code No.	Type	Weight	For profile (quantity required per connection)
4C16701	-N-80	0.30 kg	80x80 (1x), 80x160 (2x), 80x240 (3x)
4C16700	-N-160	0.52 kg	80x160 (1x), 160x160 (2x), 160x240 (3x), 160x320 (4x)
4C36700	-N-160/320	0.52 kg	160x320 (4x)
4C56700	-N-240	0.73 kg	80x240 (1x), 160x240 (2x)

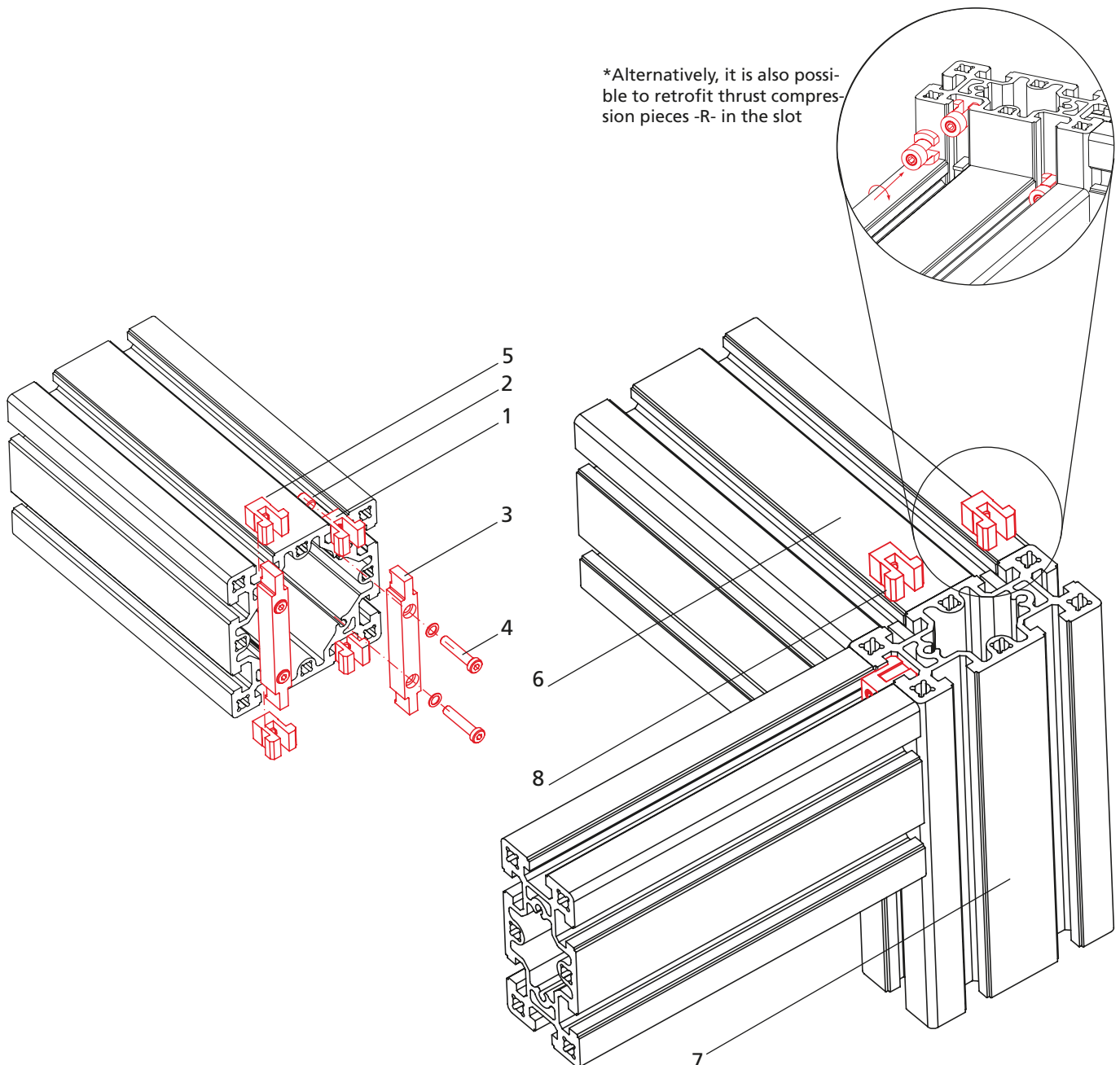
Type -R-



Code No.	Type	Weight	For profile (quantity required per connection)
4C16711	-R-80	0.25 kg	80x80 (1x), 80x160 (2x), 80x240 (3x)
4C16710	-R-160	0.48 kg	80x160 (1x), 160x160 (2x), 160x240 (3x), 160x320 (4x)
4C36710	-R-160/320	0.48 kg	160x320 (4x)
4C56710	-R-240	0.69 kg	80x240 (1x), 160x240 (2x)

Assembly steps (press mount connector -N-)

1. Screw set screw M10 (2) into thrust compression piece -N- (1)
2. Place the thrust compression piece -N- (1) into the profile for the connection strip (3) as an assembly aid
3. Align the connection strip (3) and fix it in the screw channel with M8 socket head cap screws (4). It is recommended to create the thread with a thread forming tap. Tighten it just until the connector is fixed, max. 5 Nm. However, oiled screws can be screwed directly into the profile.
4. Remove the thrust compression pieces (5) and push them into the slot(s) of the profile to be fixed*
5. Insert the profile with the connection strips (6) into the profile with the thrust compression pieces (7)
6. Push the thrust compression pieces (8) into the connection strip
7. Tighten the set screws M10 (2) to 25 Nm (Type -N- and -R- 80 to 12 Nm)



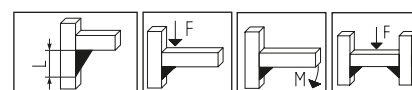
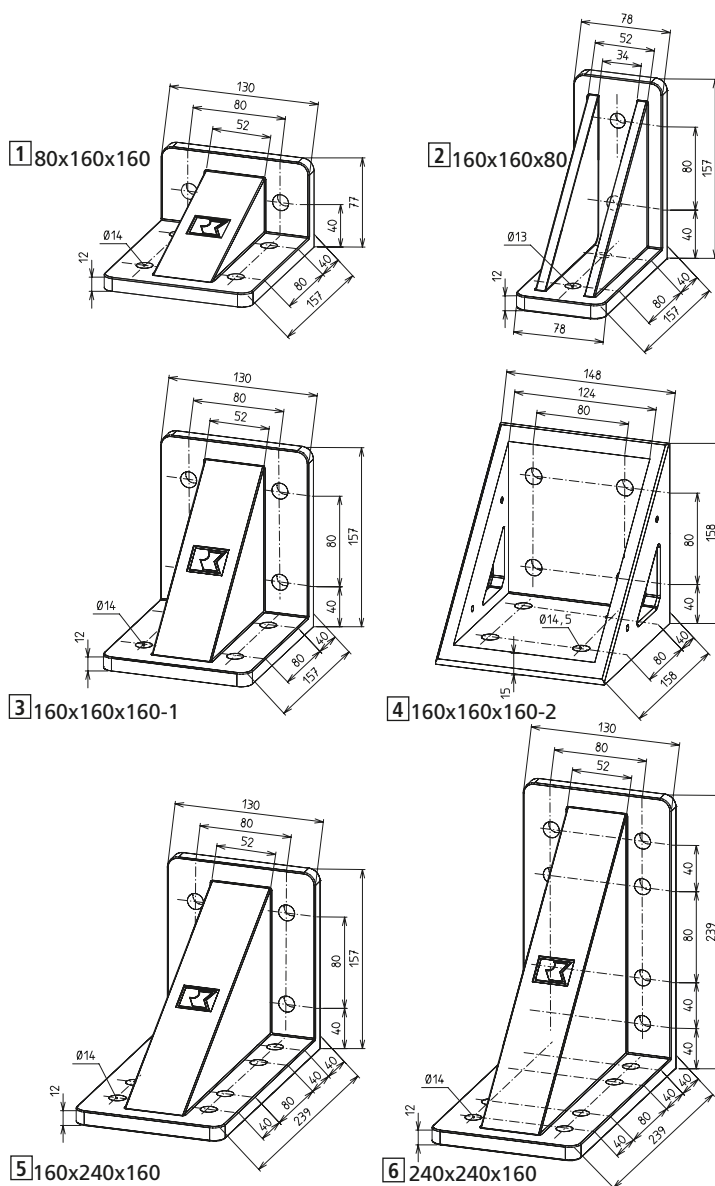
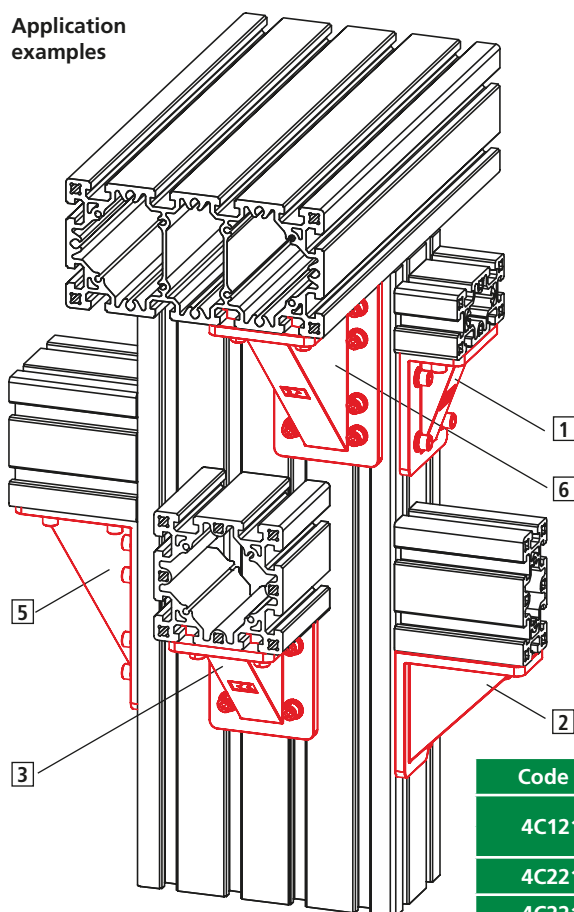
Right-angle connections

Angle bracket

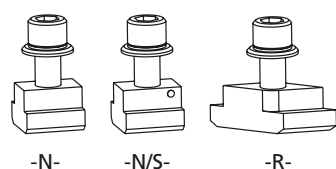
Material: Gravity die-cast aluminium,
Angle tolerance: $\pm 5^\circ$



Application examples



Code No.	Type	Weight	L [mm]	F [N]	M [Nm]	F [N]
4C12100	80x160x160	1.0 kg	80	11,000	810	30,000
			160	26,200	810	55,000
4C22100	160x160x80	1.2 kg	160	13,100	1,500	29,000
4C22101	160x160x160-1	1.5 kg	160	22,000	3,100	58,000
4C22102	160x160x160-2	2.1 kg	160	22,000	2,500	36,000
4C22103	160x240x160	2.1 kg	160	24,000	2,700	53,000
			240	35,000	2,800	75,000
4C22104	240x240x160	2.8 kg	240	40,300	6,200	75,000



Fixing sets for angle bracket (one screw with slot stone and washer)

Code No.	Type	Weight
4C16200	M12x30, slot stone -N-	0.14 kg
4C16201	M12x30, slot stone -N/S-	0.14 kg
4C16202	M12x30, slot stone -R-	0.13 kg

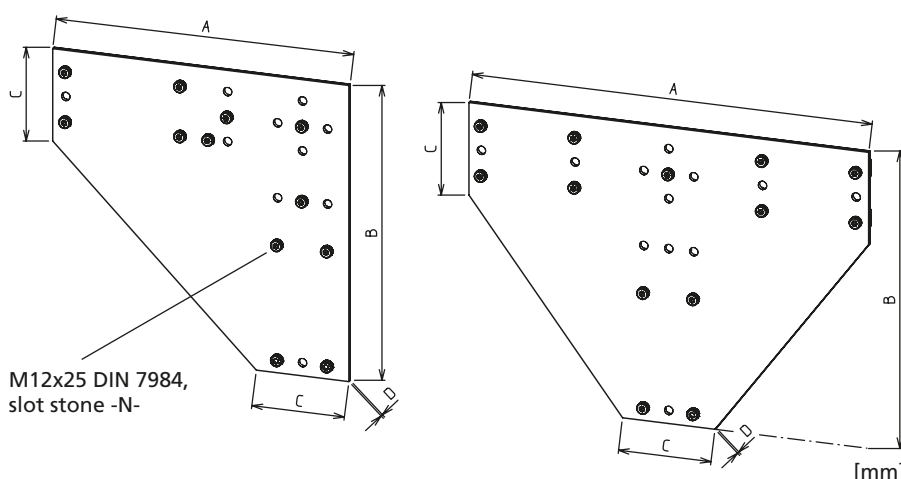
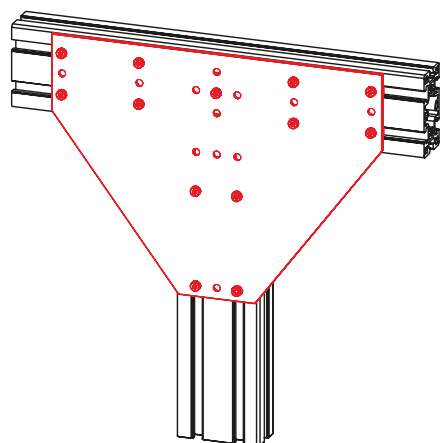
Bracing plate



- The bracing plates are for the superficial bracing of a profile connection.

Material: Black powder-coated steel

Includes: Complete with fastenings



Code No.	Type	A	B	C	D	Weight
4C12110	-L-	474	474	148	6	9.3 kg
4C12111	-T-	640	474	148	6	12.0 kg

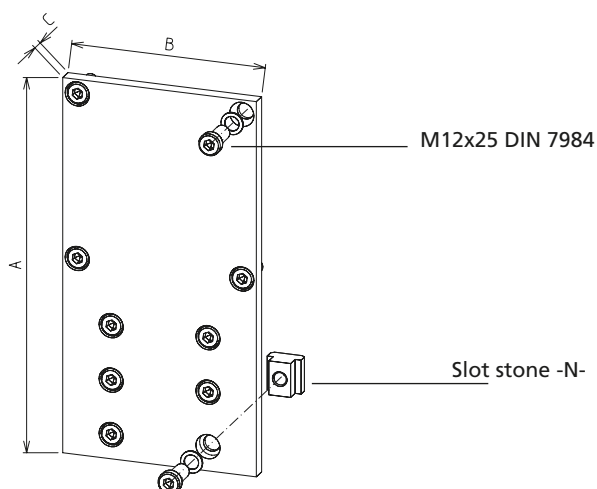
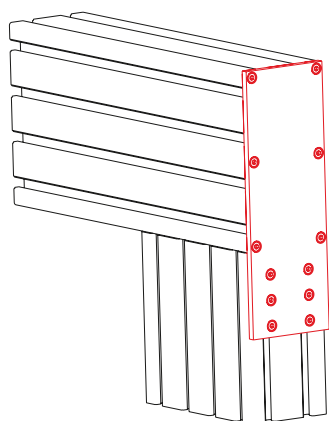
Corner connecting plate



- The corner connecting plate is for supporting the press mount connectors (e.g. relieving high tensile loads).

Material: Black powder-coated steel

Includes: Complete with fastenings



Code No.	Type	A	B	C	Weight
4C22400	160x160	310	160	12	5.3 kg
4C22401	160x320	470	160	12	7.7 kg

Cross connections

Keyed clamp connector -Q-

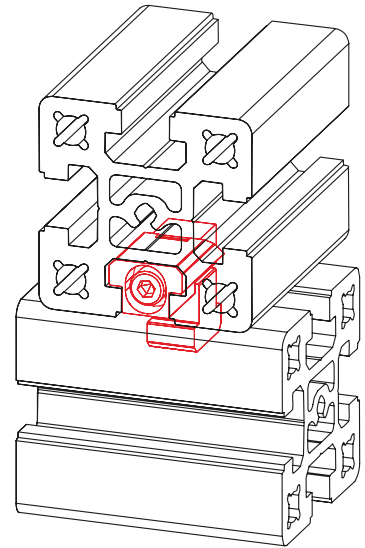


- Simple realisation of cross connections
- No profile machining necessary

Material: Galvanised steel

Includes:

Complete fixing set for one connection



[mm]

Code No.	Type	Weight
4C16501	Keyed clamp connector -Q-	0.22 kg

Angle connections

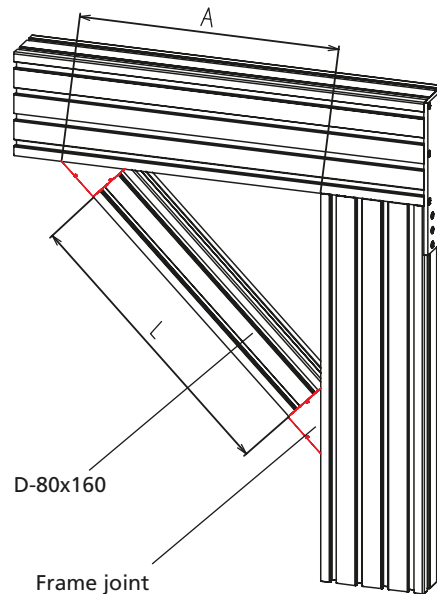
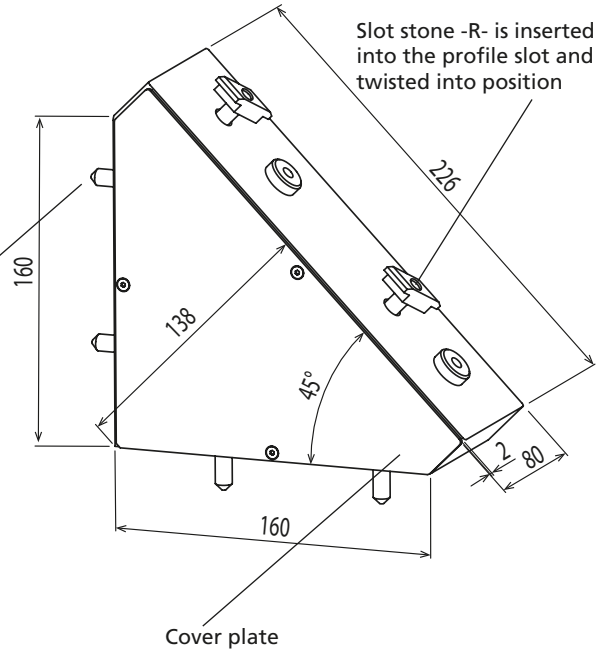
Frame joint

- For supporting a structure at a 45° angle under high loads

Material: Black powder-coated gravity die-cast aluminium
Includes: One complete frame joint with fastenings
 2 cover plates with fastenings available as an accessory



The set screw is screwed into the screw channel of the D-80x160



Cut to size

D-80x160:

$$L = (A : 0.707) - 355$$

[mm]

Code No.	Type	Weight
4C12105	Frame joint 45°	1.8 kg
4C12106	Two cover plates	0.6 kg

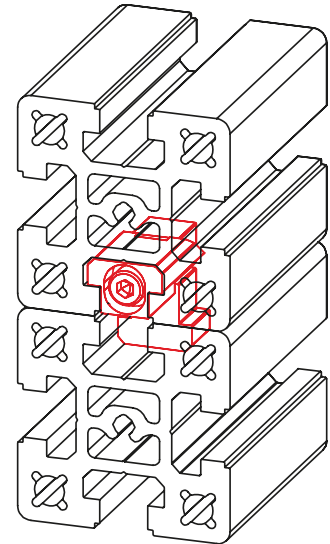
Face-to-face and parallel connections

Keyed clamp connector -P-



- For parallel flange mounting of profiles
- No profile machining necessary

Material:
Galvanised steel
Includes:
Complete fixing set for one connection



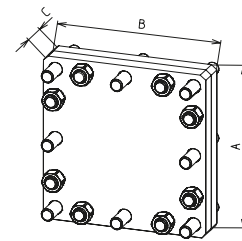
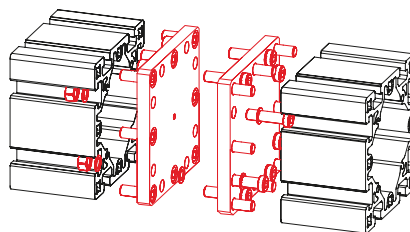
[mm]

Code No.	Type	Weight
4C16502	Keyed clamp connector -P-	0.22 kg

Connecting plate

- For the flange connection of profile ends
- For extending profiles and extending existing structures

Material:
Galvanised steel
Includes:
Complete fixing set for one connection



[mm]

Code No.	Type	A	B	C	Weight
4C46410	80x80	80	160	30	1.7 kg
4C16410	80x160	80	160	30	3.3 kg
4C56410	80x240	80	240	30	4.9 kg

[mm]

Code No.	Type	A	B	C	Weight
4C16411	160x160	160	160	30	6.5 kg
4C66410	160x240	160	240	40	14.3 kg
4C16412	160x320	160	320	40	16.6 kg

Accessories

Versions



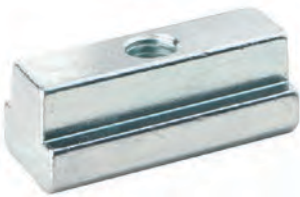
Adapter slot stone



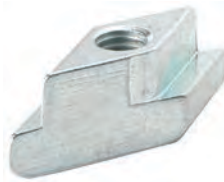
Slot stone -N-



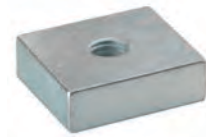
Slot stone -N/S-



Slot stone -N/L-



Slot stone -R-



Slot stone -VF-



Slot stone -RF-



Cover plate



Cover profile



Levelling foot



Levelling foot with fixing bracket



Connecting plate for feet



Base plate

Table of contents

Accessories

Slot stones

- Adapter slot stone p. 378
- Slot stone -N- p. 378
- Slot stone -N/S- p. 379
- Slot stone -N/L- p. 379
- Slot stone -R- p. 380
- Slot stone -VF- p. 380
- Slot stone -RF- p. 381

Profile covers

- Cover plate p. 382
- Cover profile..... p. 382

Feet

- Levelling foot p. 384
- Levelling foot with fixing bracket p. 385

Connecting plates

- Connecting plate for feet..... p. 386
- Base plate p. 387

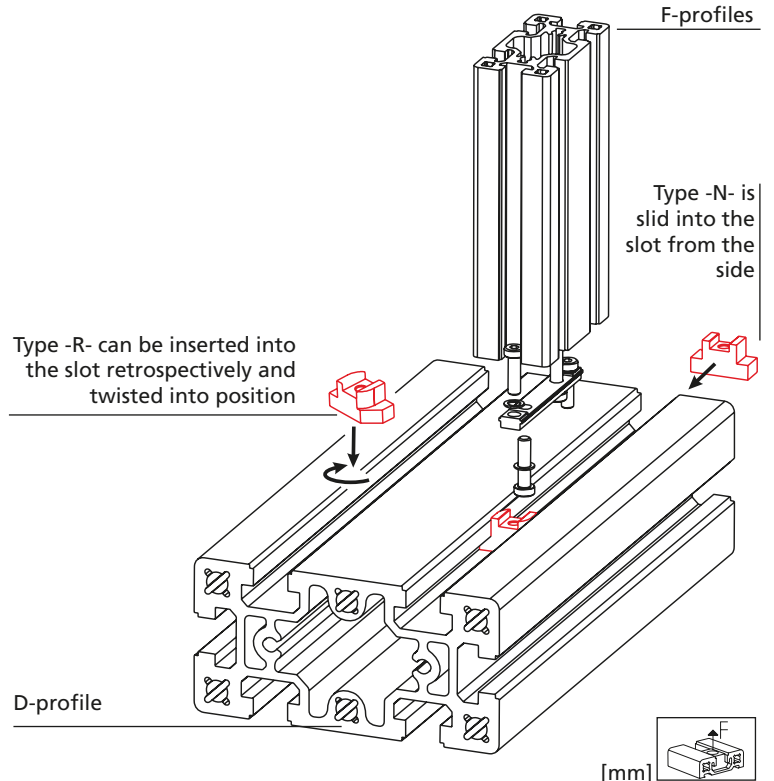
Slot stones

Adapter slot stone



- For connecting the elements of the profile assembly system with the 10 mm-wide slot to the D-profiles with the 18 mm-wide slot.

Material: Galvanised steel
Includes:
 1 adapter slot stone



Code No.	Type	Version	F [N]
4C12201	-N-	Slot 18 to 10 mm*	10,000
4C12202	-R-	Slot 18 to 10 mm*	9,000

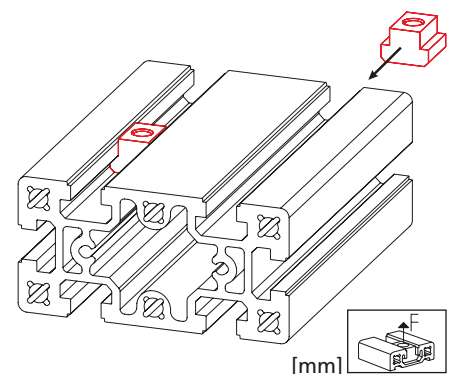
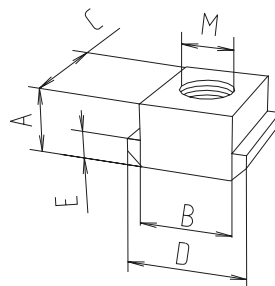
*Slot 18 mm = D-profiles
 Slot 10 mm = F-profiles

Slot stone -N- (similar to DIN 508)



- For fixing accessories to a profile.
- This slot stone should be slid into place before assembly.

Material: Galvanised steel
 Strength class 8

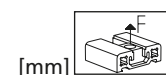
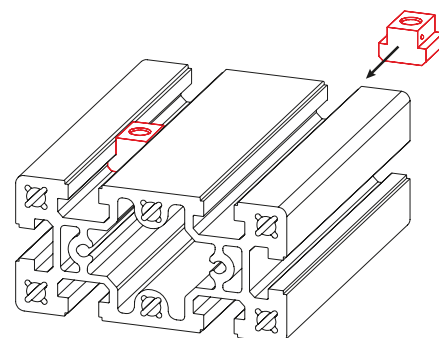
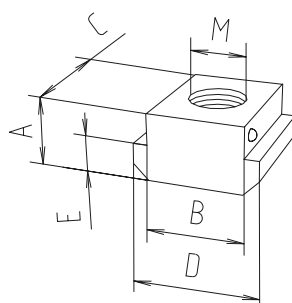


Code No.	Type	A	B -0.3/-0.6	C	D	E	M	Weight	F [N]
4C12203	M8	18.5	18	28	28	10	M8	0.1 kg	20,000
4C12204	M10	18.5	18	28	28	10	M10	0.1 kg	25,000
4C12205	M12	18.5	18	28	28	10	M12	0.1 kg	35,000

**Slot stone -N/S-
(similar to DIN 508)**

- Same geometry and function as slot stone -N-
- A spring clip prevents the slot stone from slipping
- For easier attachment mounting

Material: Galvanised steel
Strength class 8

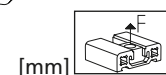
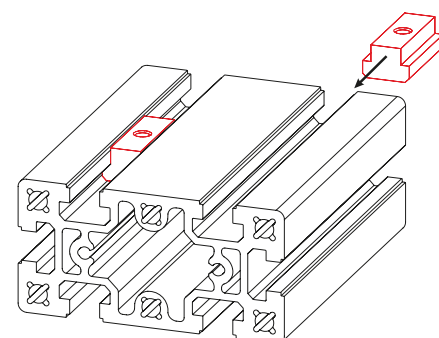
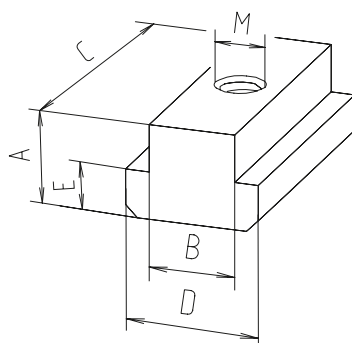
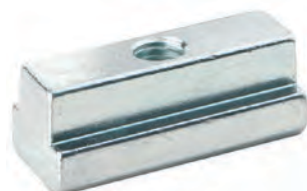


Code No.	Type	A	B -0.3/-0.6	C	D	E	M	Weight	F [N]
4C12206	M8	18.5	18	28	28	10	M8	0.1 kg	20,000
4C12207	M10	18.5	18	28	28	10	M10	0.1 kg	25,000
4C12208	M12	18.5	18	28	28	10	M12	0.1 kg	35,000

**Slot stone -N/L-
(similar to DIN 508)**

- Same geometry and function as slot stone -N-
- Higher perm. force due to the longer version

Material: Galvanised steel
Strength class 8



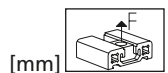
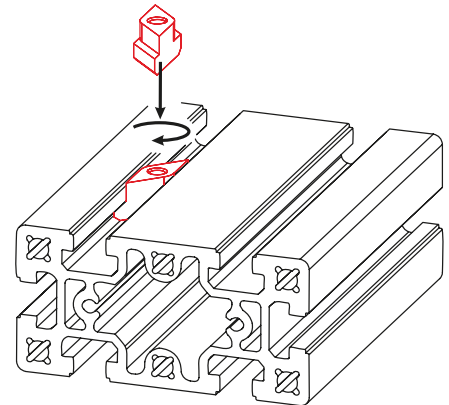
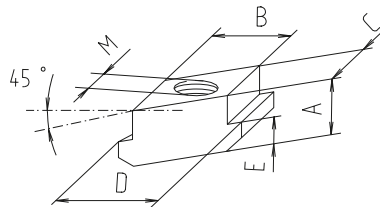
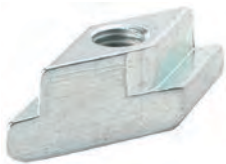
Code No.	Type	A	B -0.3/-0.6	C	D	E	M	Weight	F [N]
4C12209	M10	18.5	18	56	28	10	M10	0.2 kg	25,000
4C12210	M12	18.5	18	56	28	10	M12	0.2 kg	35,000

Slot stones

Stone stone -R-

- The slot stone is inserted anywhere in the profile slot
- The action of tightening the slot stone turns it into its final clamping position

Material: Galvanised steel
Strength class 8

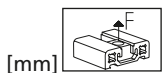
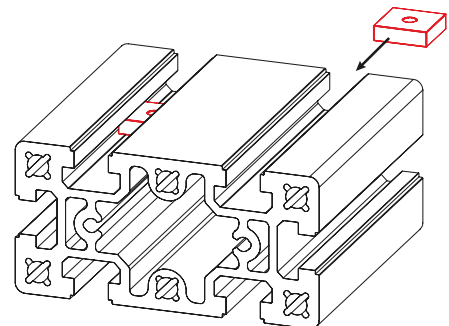
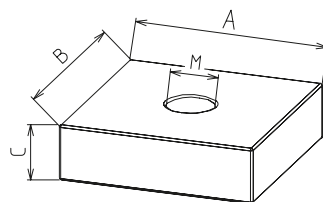
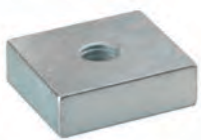


Code No.	Type	A	B -0.3/-0.6	C	D	E	M	Weight	F [N]
4C12211	M8	18.5	18	18	28	10	M8	0.1 kg	20,000
4C12212	M10	18.5	18	18	28	10	M10	0.1 kg	25,000
4C12213	M12	18.5	18	18	28	10	M12	0.1 kg	35,000

Slot stone -VF-

- For fixing attachments under low loads
- Slid into the profile slot from the side

Material: Galvanised steel



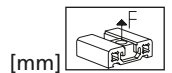
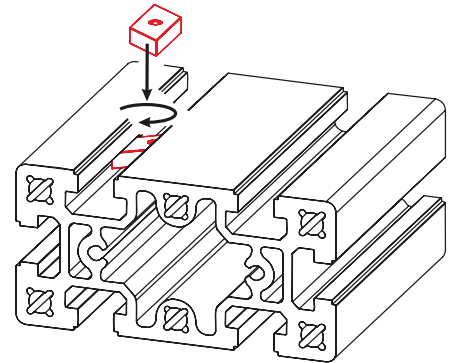
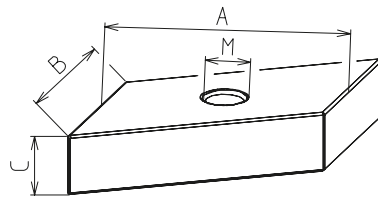
Code No.	Type	A	B	C	M	Weight
4C16204	M6	28	28	8	M6	0.05 kg
4C16203	M8	28	28	8	M8	0.04 kg



Slot stone -RF-

- For fixing attachments under low loads
- The slot stone is inserted anywhere in the profile slot
- The action of tightening the slot stone turns it into its final clamping position

Material: Galvanised steel



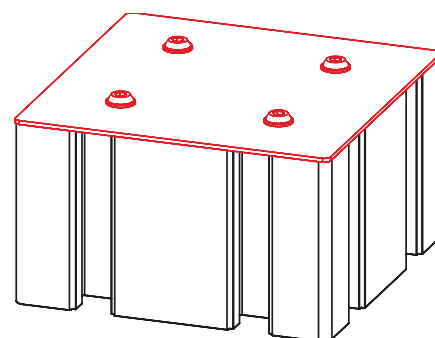
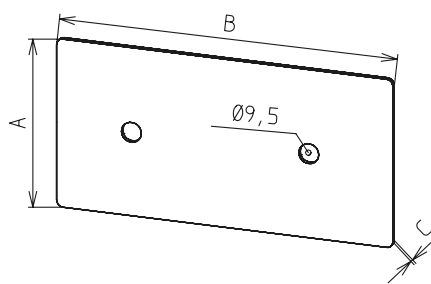
Code No.	Type	A	B	C	M	Weight
4C16205	M6	28	18	8	M6	0.04 kg
4C16206	M8	28	18	8	M8	0.04 kg

Profile covers

Cover plates

- For covering the profile ends
- Fixed with socket head button screws

Material: Black powder-coated galvanised steel



Code No.	Type	A	B	C	Weight
4C42410	80x80	80	80	2	0.1 kg
4C12410	80x160	80	160	2	0.2 kg
4C52410	80x240	80	240	2	0.3 kg
4C22410	160x160	160	160	2	0.4 kg
4C62410	160x240	160	240	2	0.6 kg
4C32410	160x320	160	320	2	0.8 kg

[mm]

Cover profile

- For the flush covering of longitudinal slots.
- Provides protection against soiling
- For fixing cables routed in the slots

Material: Black plastic

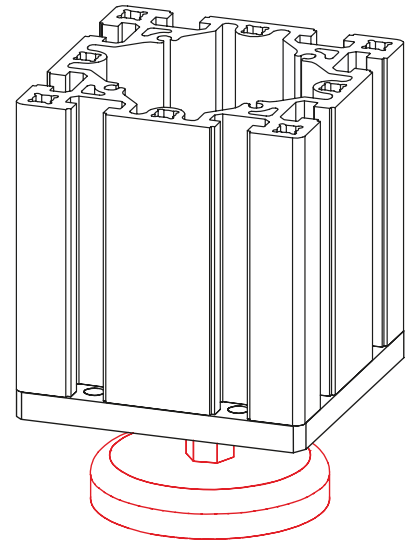
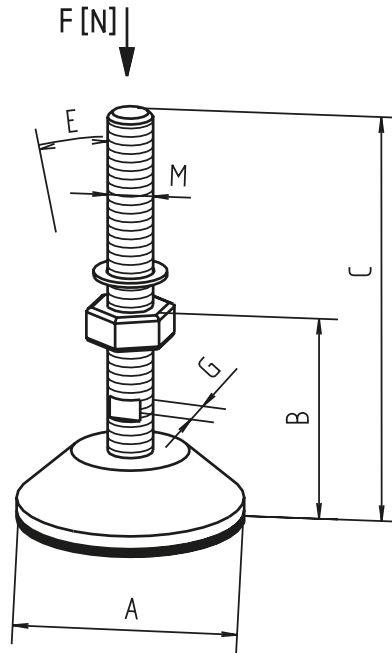


Code No.	Type
4C10501	2 m bar

Levelling foot

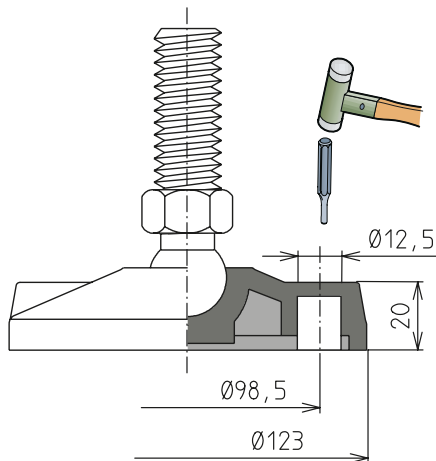
- The levelling feet are available in different versions.

Material:
Black plastic foot, galvanised spindle



*With vibration absorber

**With this version, 2 fixing holes can be punched through



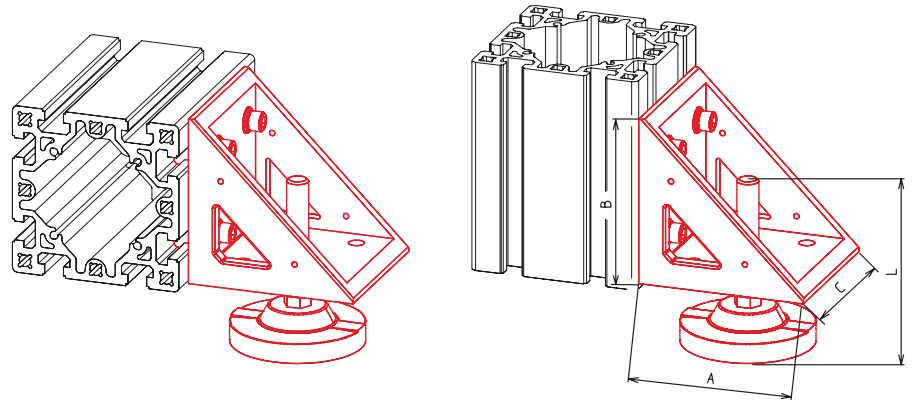
Code No.	Type	A	B	C	M	E	G	Weight	F [N]
4016301	M8	47	15	40	M8	15°	–	0.03	1,500
4016303	M12	80	24	117	M12	15°	12	0.14	7,000
4046312	M20*	123	70	215	M20	15°	16	0.70	10,000
4696302	M20	123	61	207	M20	15°	16	0.60	20,000
Foot with fixing hole** (see diagram)									
4C16300	M20	123	70	155	M20	8°	22	0.60	45,000
4016606	Fixing bolt 8x60 (pack of 4)								



Levelling foot with fixing bracket

- This fixing bracket can be used if it is necessary for structural reasons to attach a foot to the side of the profile.

Material: Gravity die-cast aluminium angle bracket,
fastenings: Galvanised spindle
Includes:
 One fixing bracket with levelling foot and fastenings



Code No.	Type	A	B	C	L	Weight
4C22105	M20	158	158	148	155	3.3 kg

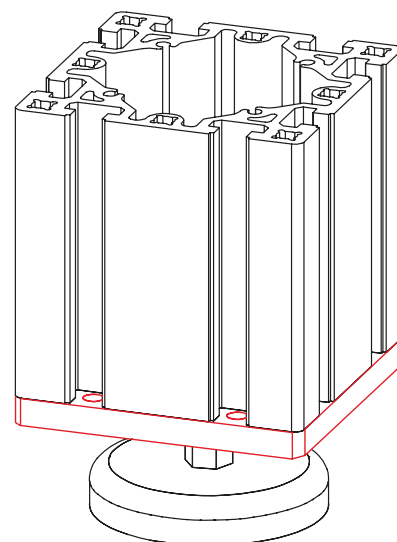
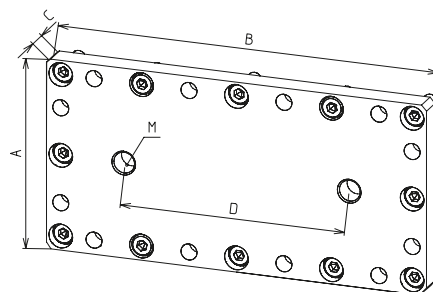
Connecting plates

Connecting plate for feet

- Connecting plate with tapped hole for feet
- Also suitable for taking eye bolts.
- As of type 160x320 2 the plate has 2 tapped holes.

Material:
Galvanised steel

Includes:
Connecting plate with complete fixing set for connection to one profile
*Profile 80x80 has a screw channel of $\text{Ø}7.45$ (M8). If using a connecting plate/foot M12, a hole must be drilled in this channel. The drill listed below should ideally be used.



Adjustment range 0-28 mm
Max. compressive force 20 KN

Code No.	Type	A	B	C	D	M	Weight
4C46405	80x80*	80	80	15	0	12	0.7 kg
4C16405	80x160	80	160	15	0	20	1.4 kg
4C56405	80x240	80	240	15	130	12	2.2 kg
4C26405	160x160	160	160	15	0	20	2.9 kg
4C66405	160x240	160	240	20	130	20	5.8 kg
4C36405	160x320	160	320	20	190	20	7.7 kg
4006652	Drilling fixture for profile D-80x80 / foot M12						

Base plate

- For taking high supporting forces
- The four levelling feet help to align a structure exactly
- If necessary, the feet can be screwed to the floor

Material: Black powder-coated galvanised steel base plate, reinforced black polyamide foot, galvanised spindle, galvanised fastenings

Includes: Complete base plate with four levelling feet and fastenings for the connection of one profile



Fig. 1

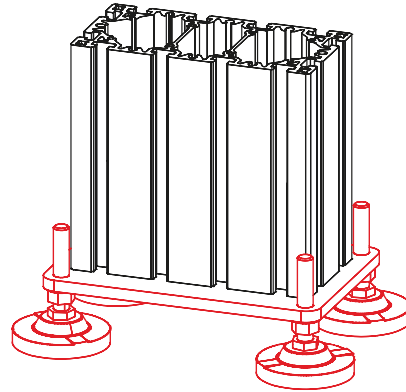


Fig. 2

Base plate with slot stones for the cross connection of one profile 160x320

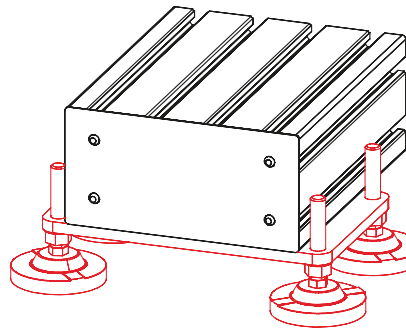
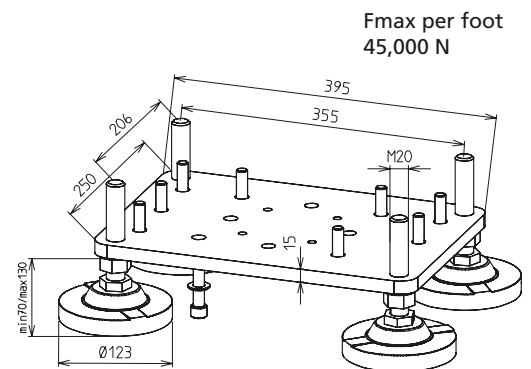
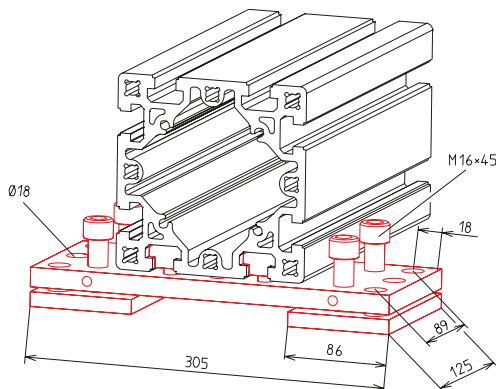
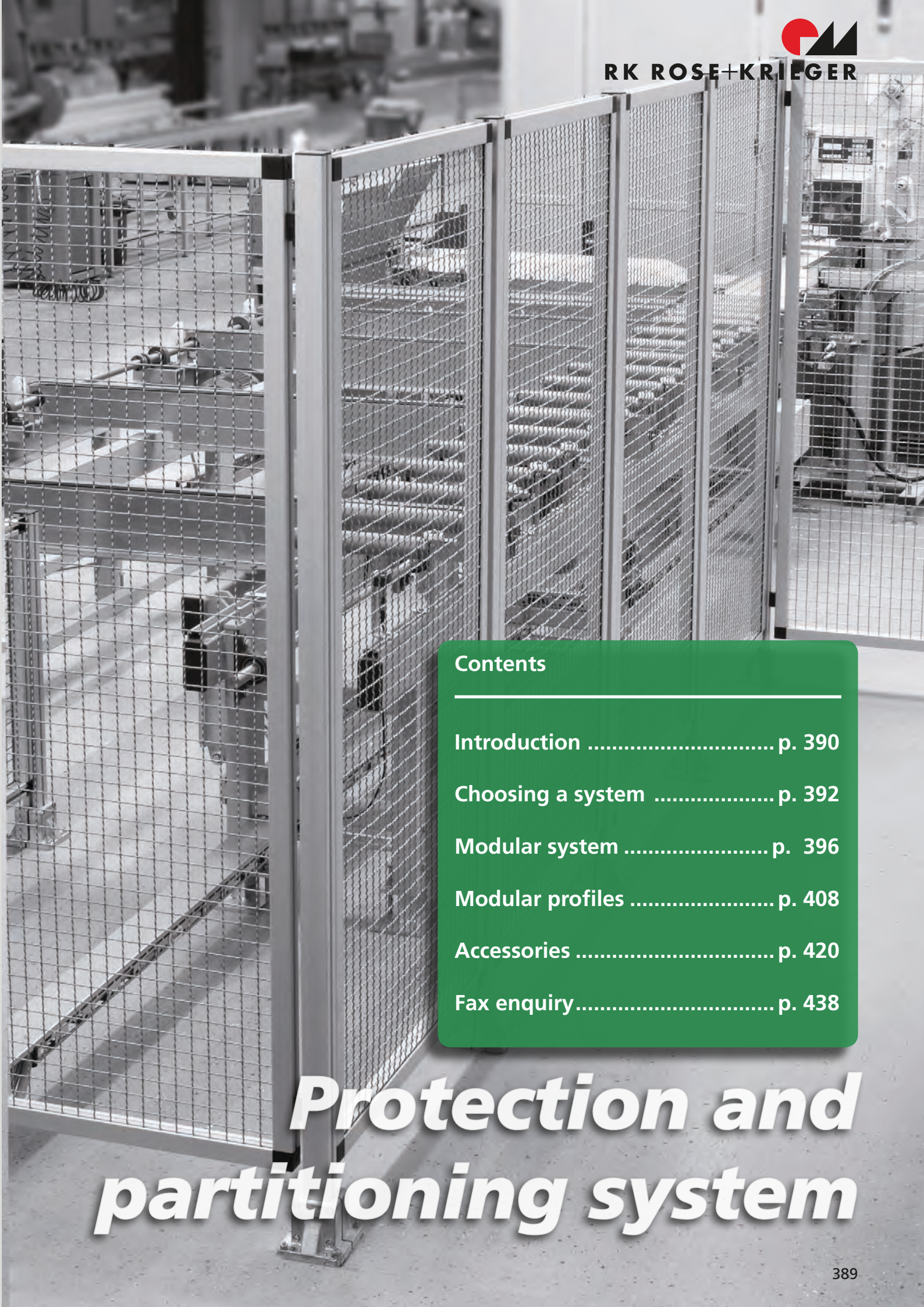


Fig. 3



F_{max} per foot
45,000 N

Code No.	For profile	Weight	Fig.
4C26406	160x160	13.3 kg	1
4C36408	160x240	13.6 kg	1
4C36406	160x320	13.7 kg	1
4C36407	160x320 with slot stones	14.7 kg	2
4C26407	160, adjustable	8.2 kg	3



Contents

Introduction p. 390

Choosing a system p. 392

Modular system p. 396

Modular profiles p. 408

Accessories p. 420

Fax enquiry p. 438

Protection and partitioning system

Protection and partitioning system

Introduction

Due to the ever increasing automation of manufacturing processes and equipment, the protection of people from sources of danger is growing in importance.

The safety guard has a grid design and therefore reduces the effort required from the user in planning, construction and assembly to a minimum.

It complies with the new Machinery Directive 2006/42/EC.

A modern connector that meets the legal requirements for safety devices safely fixes post and safety guard element. Posts and safety guard elements come with all attachments on delivery, so safety guard elements can be installed without tools. After the posts are secured to the substrate, the safety guard elements need only be inserted at the bottom and pressed in at the top – done!



<p>Introduction</p>	<ul style="list-style-type: none"> ■ Choosing a system p. 392 ■ Safety distances p. 394
<p>Modular system</p>	<ul style="list-style-type: none"> ■ Function/Planning/Requirements..... p. 396 ■ Pillar p. 398 ■ Pillar profiles p. 400 ■ Supporting/Levelling shims p. 400 ■ Panels p. 401 ■ Hinged door p. 404 ■ Double-wing hinged door p. 405 ■ Sliding door p. 406 ■ Lifting door p. 407 ■ Modular profiles p. 408
<p>Accessories</p>	<ul style="list-style-type: none"> ■ Base clamp from p. 420 ■ Fasteners from p. 421 ■ Support from p. 421 ■ Corner joint from p. 422 ■ Connection element -S- (Click & Safe) from p. 424 ■ Bracing plate from p. 426 ■ Cover profile from p. 426 ■ Profile seal from p. 427 ■ Door gap seal from p. 427 ■ Rim from p. 427 ■ Hinges from p. 428 ■ Ball catch from p. 429 ■ Magnetic lock from p. 429 ■ Door stopper from p. 430 ■ Handle from p. 430 ■ Door lock -KL- from p. 431 ■ Roller module from p. 432 ■ Roller carriage module from p. 433 ■ Safety switch from p. 434 ■ Panels from p. 437

Choosing a system

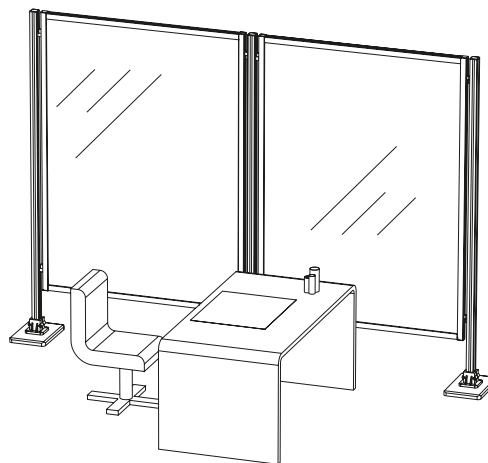
Partitioning system

Condition:

No danger to personnel e.g. from plant or machinery! It does not have to be anchored to the floor.

Application:

Screening
Sound insulation
Division of rooms
Flexible cubicles e.g. welding booths



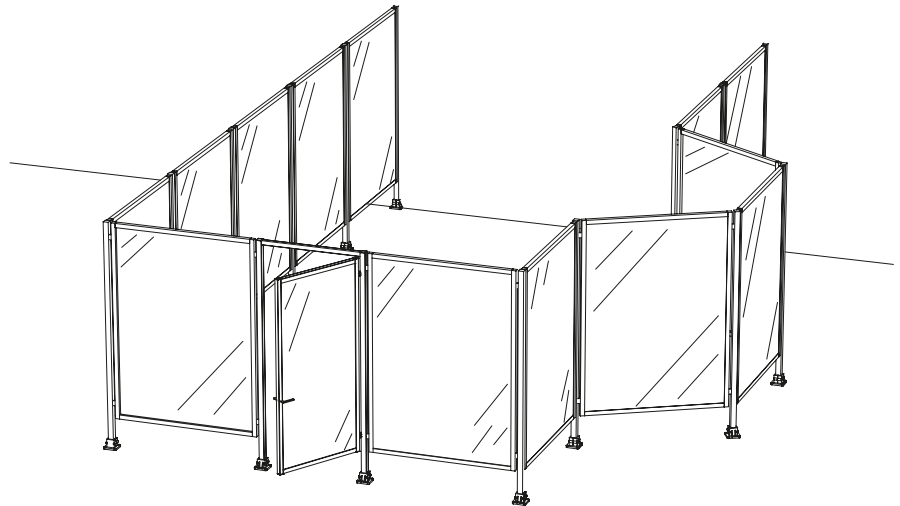
Safety guard to cordon off danger zones

Condition:

Must be anchored to the floor

Application:

For enclosing danger zones, e.g. plant and machinery



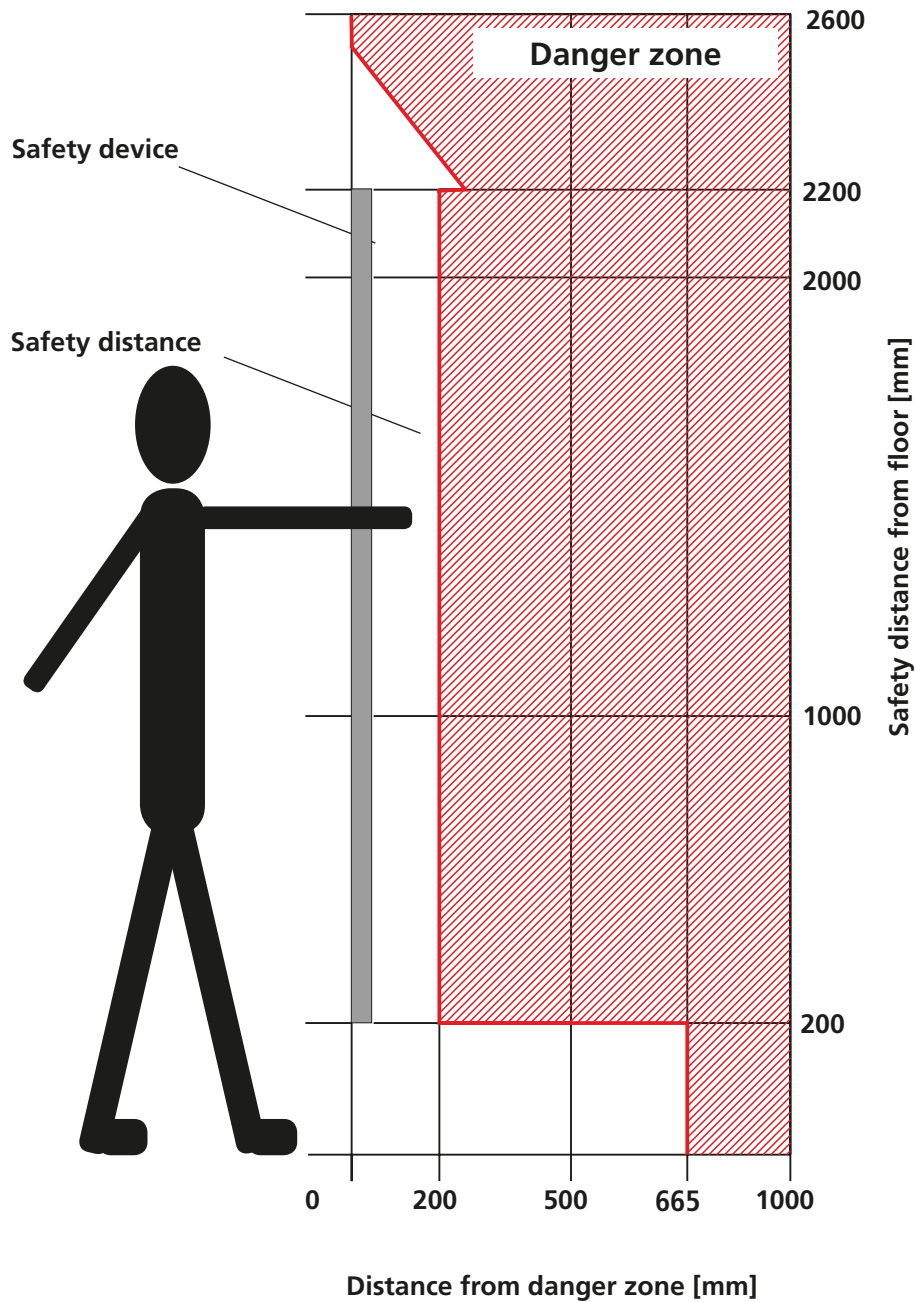
It is imperative to observe the safety distances under DIN EN ISO 13857 to prevent danger zones being reached!

Safety distances

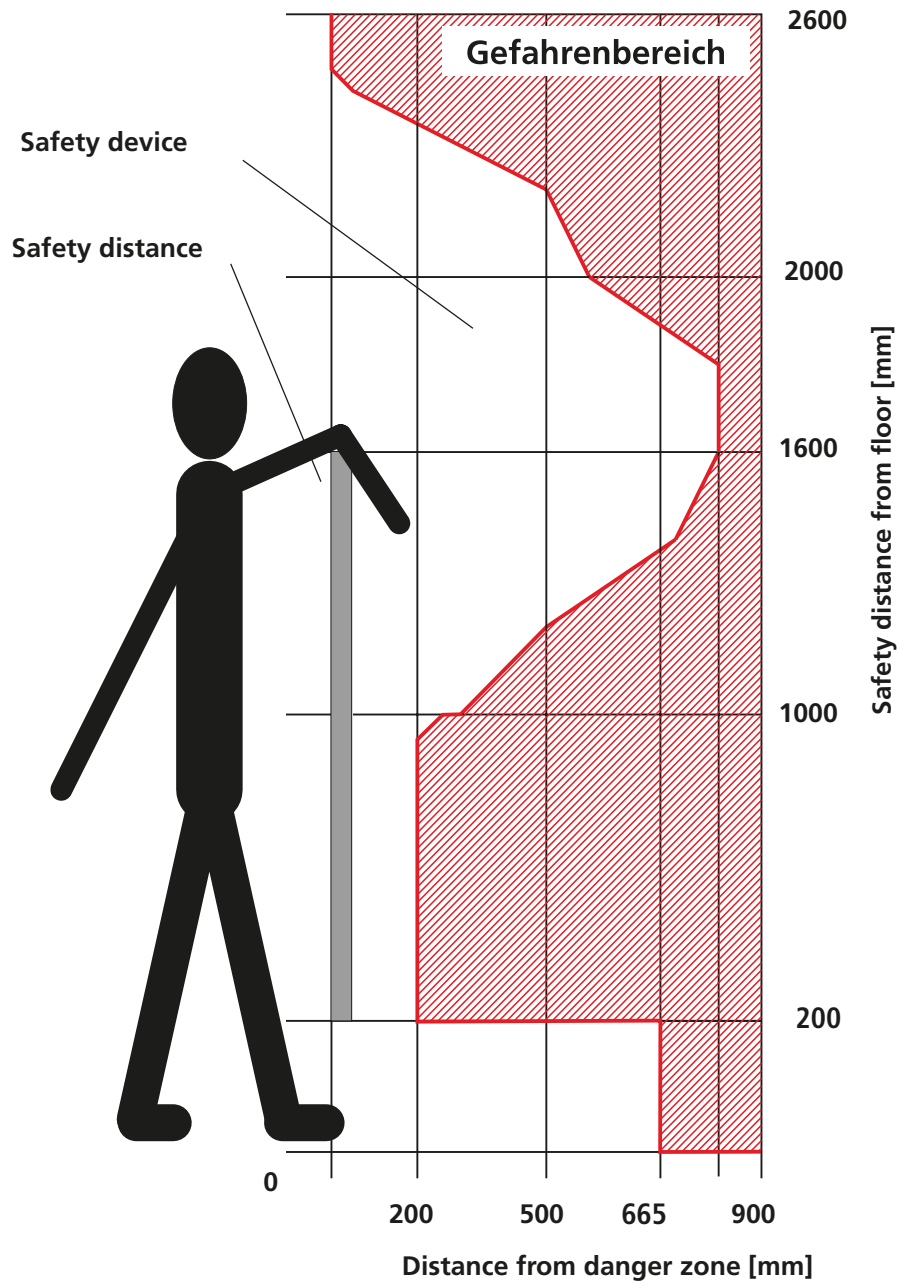
Safety distances

Distance from danger zone
for frame height 2200 mm

to DIN EN ISO 13857
(upper limbs and lower limbs)



Distance from danger zone
for frame height 1600 mm



Modular system

The modular system

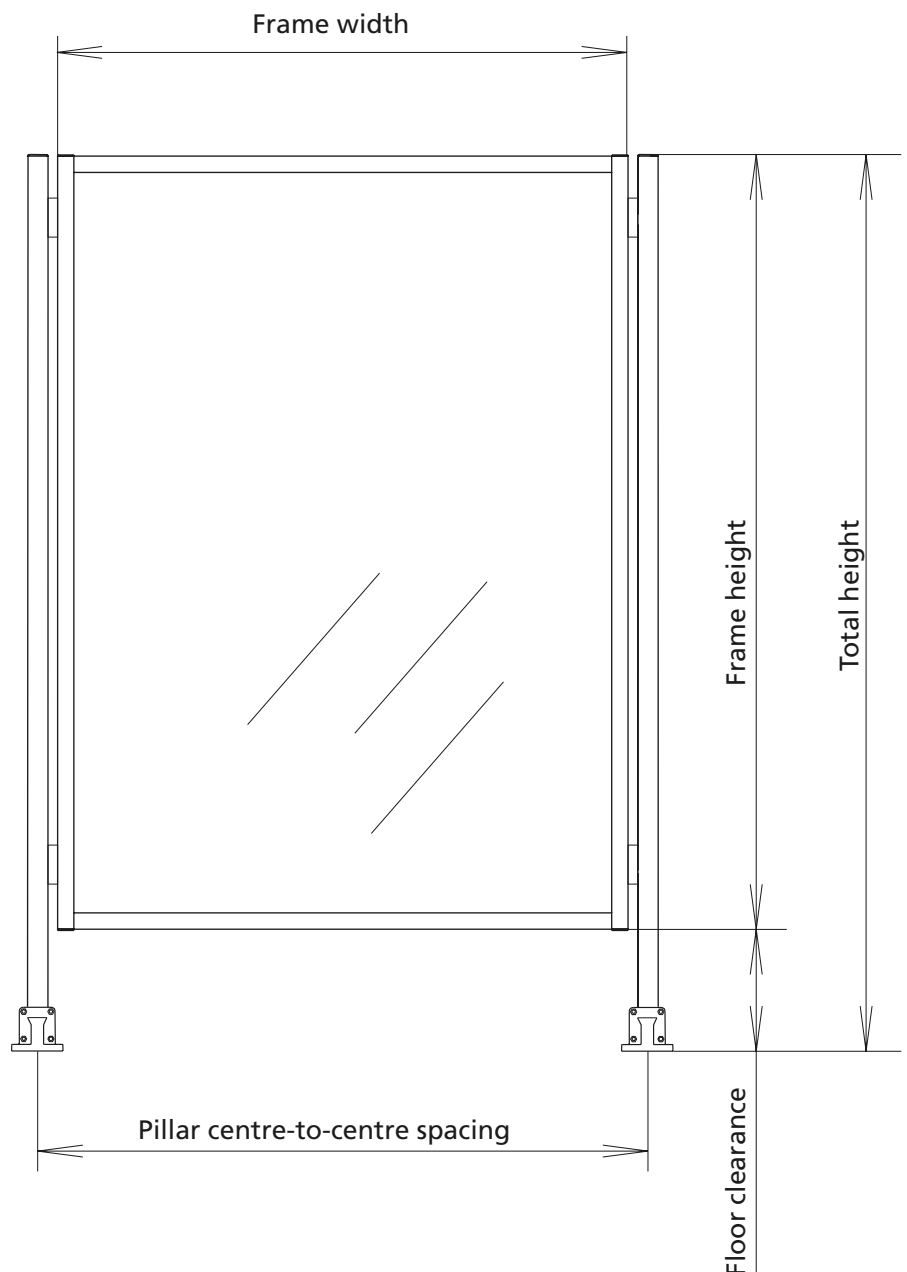
The modular system allows the user to concentrate on the most important thing – the safety function and its design with minimal time expenditure.

Features:

- Quick and easy on-site installation (with Click&Safe connection element, see page 424)
- Fast assembly and dismantling of individual frames, e.g. for maintenance work on the machine
- Frames with the same module size are interchangeable

Clamping or inserting profile available in the cross-sections 30 mm and 40 mm. (see page 410–416)

Pillar profile 50, S-profile 40x40 or F-profile 50x50 (see page 398–400 Page 418–419)



Procedure

1. Planning

a) Calculate the required lengths

Example:

The machine to be protected has the dimensions 5.50 m x 3.50 m. Allowing for the safety distance, you get a rectangle of approx. 6 m x 4 m.

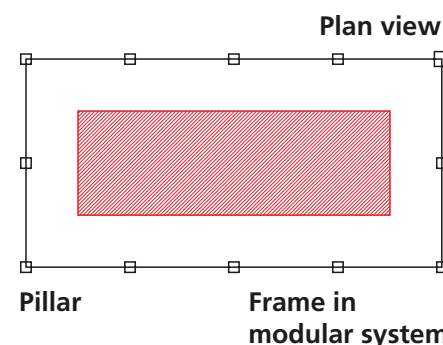
b) The protection system can now be designed in line with requirements with the aid of the different module sizes.

In our example, one solution is as follows:

4 m side = 2 x 2.0 m module

6 m side = 4 x 1.5 m module

Number of pillars = 12



2. Material requirements

a) Pages 401–403 list the different frame versions with different panels.

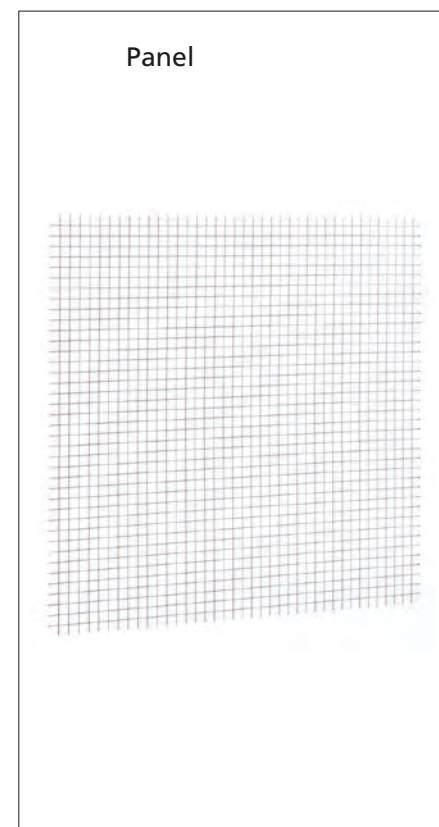
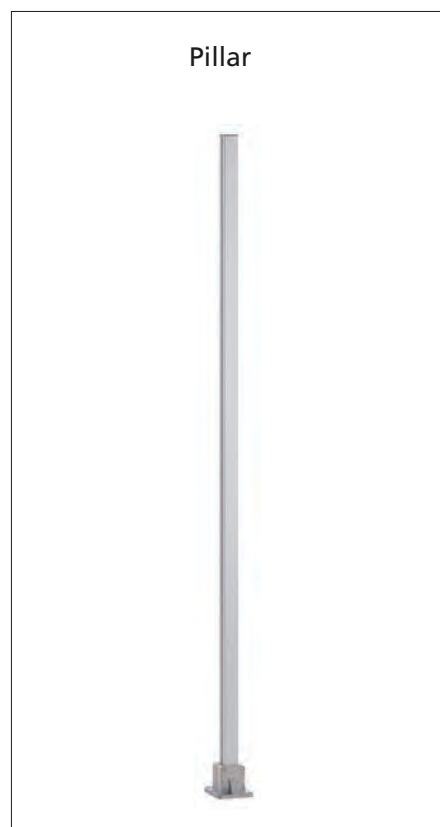
b) Furthermore, sliding, hinged and lifting doors are available, which are also configured in

the modular system (page 396).

c) Page 398 shows the pillars. The following distinction must be made in relation to the pillars:

■ Protection system = pillar with base clamp (type 1 and 2)

■ Safety guard = pillar with base plate (type 3)

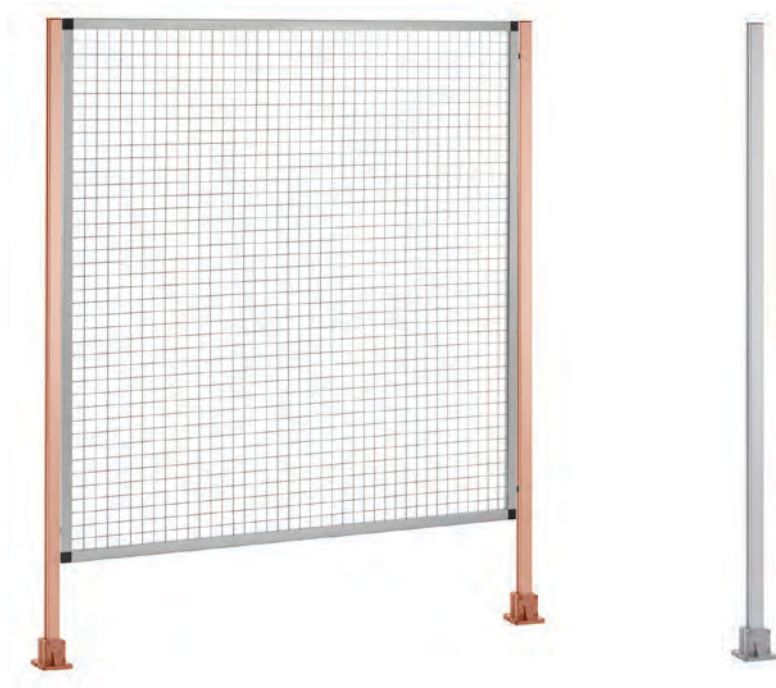


Modular system

Pillar

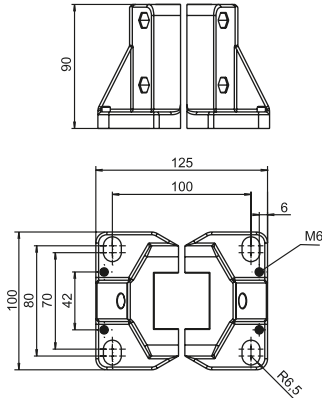
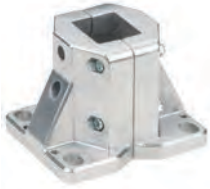
- Consisting of pillar profile 50 / S-profile 40x40 / F-profile 50x50
- Choice of base versions

Application:

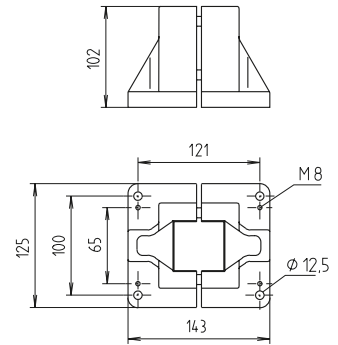


Type 1 (FVV)

For pillar profile S-40x40

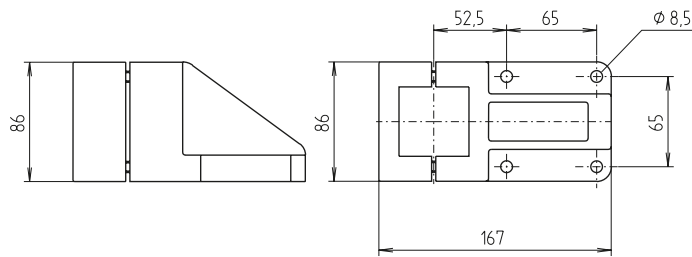


For pillar profile 50, F-50x50



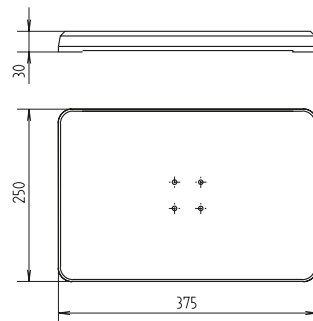
Type 2 (FVA)

For pillar profile 50, F-50x50



Type 3 (FP)

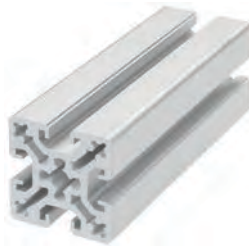
For pillar profile 50, F-50x50, S-40x40



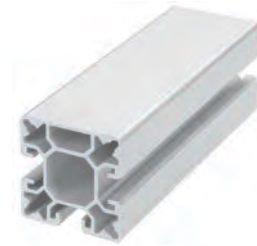
Modular system



Pillar profile S-40x40



Pillar profile F-50x50

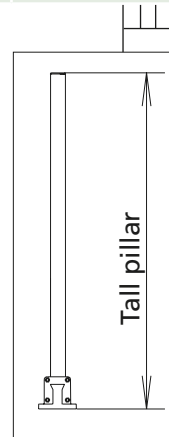


Pillar profile SP-50x50

Order example: Pillar F-50 1600 0000 X

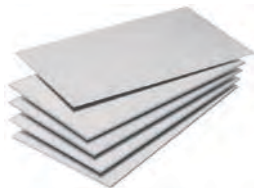
Pillar profile F-50,
Height = 1600,
Version = Type 1 (FVV)

Pillar profile	Tall pillar (max. 6000 mm)	Base version
S-40x40	--- 0000	---
F-50x50	--- 0000	---
SP-50x50	--- 0000	---



X = type 1 (FVV)
Y = type 2 (FVA, not available for F-40)
Z = type 3 (FP)

Supporting/Levelling shims



- For levelling with the aid of set screws
- For preventing the set screws from digging into the floor
- Give the base clamp a full contact surface

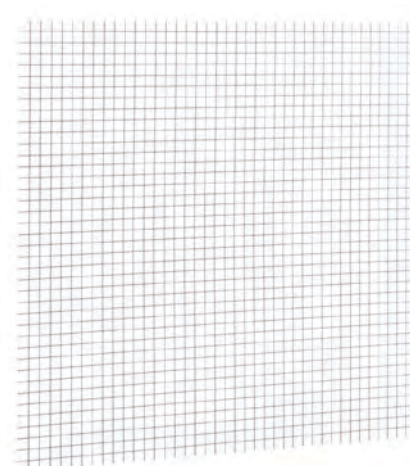
Material: Galvanised steel

Code No.	Version	Base version	Includes
4080500	Supporting shim 50	Type 1 for pillar profile 50, F-50x50	1 1-mm shim
4014301	Levelling shims 40	Type 1 for pillar profile S-40x40	4 1-mm shims, 1 0.5-mm shim
4014302	Levelling shims 50	Type 1 for pillar profile F-50x50	4 1-mm shims, 1 0.5-mm shim

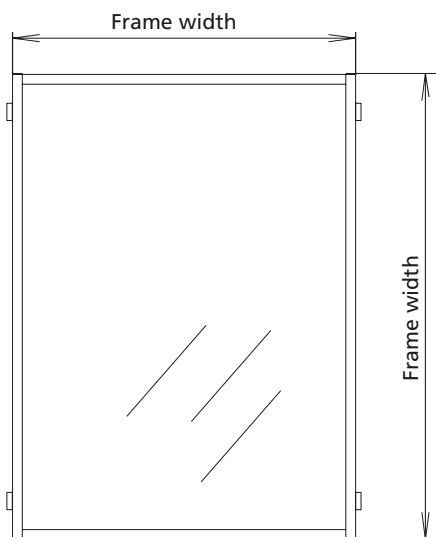


Panel module version -A-

- Consisting of frame, panels and connection elements



Frame profile, see p. 410-413	Frame height see p. 396	Frame width see p. 396	Choice of panels
Module A, ESP 30	Up to 1900 mm	Up to 1000 mm	A, G
Module A, ESP 40	Up to 1900 mm	Up to 1500 mm	A, I
Module A, ESP 30/2	Up to 1900 mm	Up to 1000 mm	A, G
Module A, ESP 40/2	Up to 1900 mm	Up to 1500 mm	A, I
Module A, ESP 30/2 (40)	Up to 1900 mm	Up to 1000 mm	A, I
Module A, KL 30-II	Up to 1900 mm	Up to 1000 mm	All
Module A, KL 40-II	Up to 1900 mm	Up to 2000 mm	All



- A = Without panel
- B = Acrylic glass, 6 mm, clear
- C = Acrylic glass, 6 mm, tinted
- D = Makrolon glass, 6 mm, clear
- E = Trespa, 6 mm, brown solid core panel available in widths up to 1500 mm
- F = Composite, 6 mm, anodised, available in widths up to 1500 mm
- G = Wire mesh, 30x30x3, galv. steel
- I = Wire mesh, 40x40x4, galv. steel

Further versions available on request.

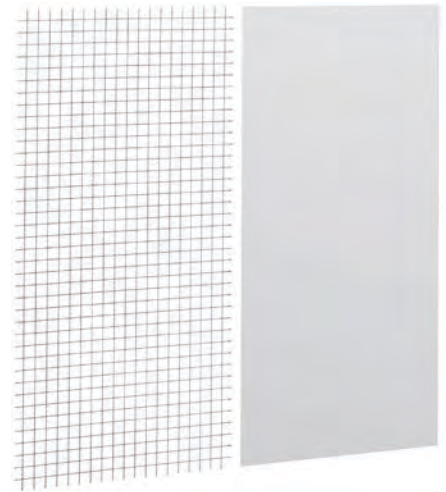
Order example:
 Module A, ESP 30 1500 0900 G

Frame profile ESP 30,
 Height=1500,
 Width=900,
 Panel = wire mesh 30x30x3 galv. steel

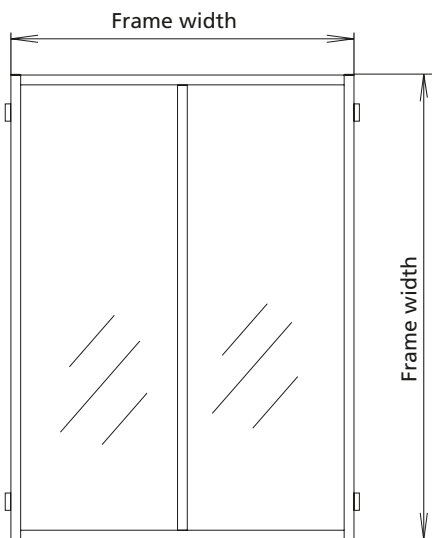
Modular system

Panel module version -B-

■ Consisting of frame, panels and connection elements, vertical division (in centre)



Frame profile, see p. 410-413	Frame height, see p. 396	Frame width, see p. 396	Panel 1 Choice of:	Panel 2 Choice of:
Module B, ESP 30	Up to 1900 mm	Up to 1500 mm	A, G	A, G
Module B, ESP 40	Up to 2500 mm	Up to 2000 mm	A, I	A, I
Module B, ESP 30/2	Up to 1900 mm	Up to 1500 mm	A, G	A, G
Module B, ESP 40/2	Up to 2500 mm	Up to 2000 mm	A, I	A, I
Module B, ESP 30/2 (40)	Up to 1900 mm	Up to 1500 mm	A, I	A, I
Module B, KL 30-II	Up to 1900 mm	Up to 1500 mm	All	All
Module B, KL 40-II	Up to 2500 mm	Up to 2000 mm	All	All



- A = Without panel
- B = Acrylic glass, 6 mm, clear
- C = Acrylic glass, 6 mm, tinted
- D = Makrolon glass, 6 mm, clear
- E = Trespa, 6 mm, brown solid core panel available in widths up to 1500 mm
- F = Composite, 6 mm, anodised, available in widths up to 1500 mm
- G = Wire mesh, 30x30x3, galv. steel
- I = Wire mesh, 40x40x4, galv. steel

Further versions available on request.

Order example:
 Module B, KL 40 2000 1200 BI

Frame profile KL 40-II,
 Height = 2000,
 Width = 1200,
 Panel 1 = Acrylic glass, 6 mm, clear
 Panel 2 = wire mesh 40x40x4 galv. steel

Panel module version -C-

- Consisting of frame, panels and connection elements, horizontal division (in centre)

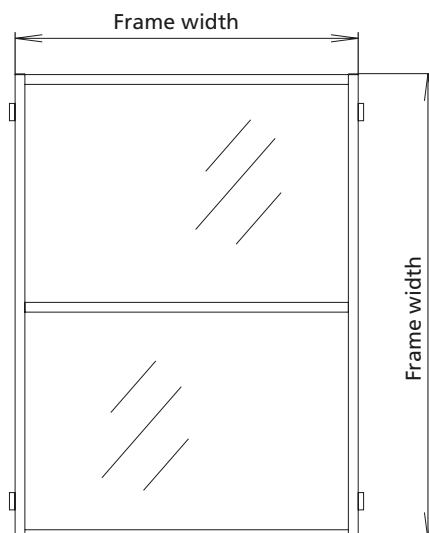


Frame profile, see p. 410-413	Frame height, see p. 396	Frame width, see p. 396	Panel 1 Choice of:	Panel 2 Choice of:
Module C, ESP 30	Up to 1900 mm	Up to 1500 mm	A, G	A, G
Module C, ESP 40	Up to 2500 mm	Up to 2000 mm	A, I	A, I
Module C, ESP 30/2	Up to 1900 mm	Up to 1500 mm	A, G	A, G
Module C, ESP 40/2	Up to 2500 mm	Up to 2000 mm	A, I	A, I
Module C, ESP 30/2 (40)	Up to 1900 mm	Up to 1500 mm	A, I	A, I
Module C, KL 30-II	Up to 1900 mm	Up to 1500 mm	All	All
Module C, KL 40-II	Up to 2500 mm	Up to 2000 mm	All	All



A = Without panel
B = Acrylic glass, 6 mm, clear
C = Acrylic glass, 6 mm, tinted
D = Makrolon glass, 6 mm, clear
E = Trespa, 6 mm, brown solid core panel available in widths up to 1500 mm
F = Composite, 6 mm, anodised, available in widths up to 1500 mm
G = Wire mesh, 30x30x3, galv. steel
I = Wire mesh, 40x40x4, galv. steel

Further versions available on request.



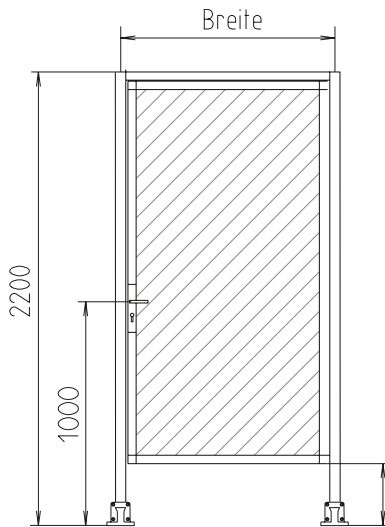
Order example:
Module C, KL 40 2000 0850 BI

Frame profile KL 40-II,
Height = 2000,
Width = 850,
Panel 1 = Acrylic glass, 6 mm, clear
Panel 2 = wire mesh 40x40x4 galv. steel

Modular system

Hinged door

- Consisting of pillar profile 50 with base version type 1, top cross strut
- Choice of door lock



Please indicate floor clearance in the order

Fixed knob on outside in panic lock version



Version
DIN right

Type	Mounting	Height	Width	Panel	Door lock	Frame profile
Hinged door	-	----	----	-	-	KL 30-II
	-	----	----	-	-	KL 40-II

W = Panic lock
X = Cylinder lock with handle set
Y = Magnetic lock with handle
Z = Ball catch with handle

A = Without panel
B = Acrylic glass, 6 mm, clear
C = Acrylic glass, 6 mm, tinted
D = Makrolon glass, 6 mm, clear
E = Trespa, 6 mm, brown solid core panel available in widths up to 1500 mm
F = Composite, 6 mm, anodised, available in widths up to 1500 mm
G = Wire mesh, 30x30x3, galv. steel
I = Wire mesh, 40x40x4, galv. steel

F = DIN right mounting
G = DIN left mounting

Standard height:
2200 = 2200 mm

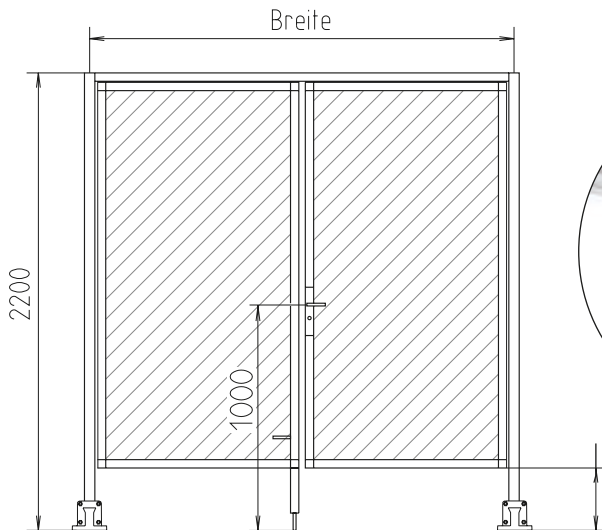
Standard width:
0800 = 0800 mm
1000 = 1000 mm

Further widths/heights available on request.

Order example:
Hinged door F 2200 1000 DY
DIN right,
Height = 2200,
Width = 1000,
Panel = Makrolon,
Door lock = Magnetic lock

Double-winged hinged door

- Consisting of pillar profile 50 with base version type 1, top cross strut
- Choice of door lock
- Pillar roller available as an optional extra



Please indicate floor clearance in the order

Cane bolt
(view from inside)



Version
DIN right

Fixed knob on
outside in panic
lock version

Type	Mounting	Height	Width	Panel	Door lock	Frame profile
Double-wing hinged door	-	---	---	-	-	KL 40-II

W = Panic lock
X = Cylinder lock with handle set
Y = Magnetic lock with handle
Z = Ball catch with handle

A = Without panel
B = Acrylic glass, 6 mm, clear
C = Acrylic glass, 6 mm, tinted
D = Makrolon glass, 6 mm, clear
E = Trespa, 6 mm, brown solid core panel available in widths up to 1500 mm
F = Composite, 6 mm, anodised, available in widths up to 1500 mm
G = Wire mesh, 30x30x3, galv. steel
I = Wire mesh, 40x40x4, galv. steel

L = DIN right mounting
M = DIN left mounting

Standard height:
2200 = 2200 mm

Standard width:
1500 = 1500 mm
2000 = 2000 mm

Further widths/heights available on request.

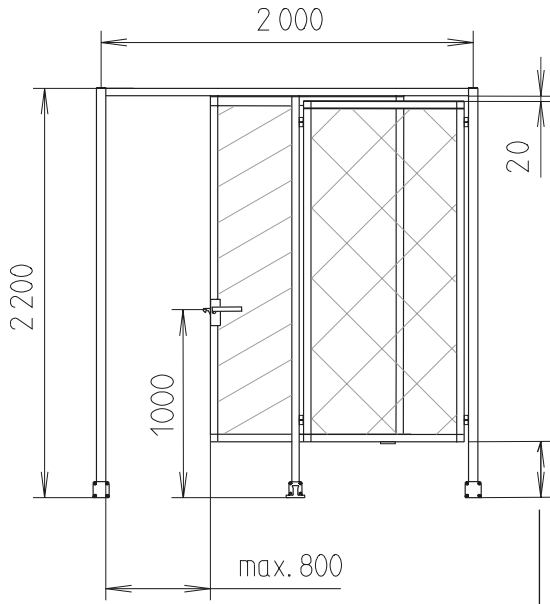
Order example:
Double-wing hinged door L 2200 1500 DW
DIN right,
Height = 2200,
Width = 1500,
Panel = Makrolon,
Door lock = panic lock

Modular system

Sliding door

- Consisting of pillar profil 50 with base version type 1
- Guide with sliding door profile 40 and roller carriage

Sliding door profile, roller carriage (view from inside)



Please indicate floor clearance in the order



Type	Mounting	Height	Width	Panel	Frame profile
Sliding door	-	---	---	-	KL 40-II

N = DIN right mounting
P = DIN left mounting

Standard height:
2200 = 2200 mm

Standard width:
2000 = 2000 mm

A = Without panel
B = Acrylic glass, 6 mm, clear
C = Acrylic glass, 6 mm, tinted
D = Makrolon glass, 6 mm, clear
E = Trespa, 6 mm, brown solid core panel available in widths up to 1500 mm
F = Composite, 6 mm, anodised, available in widths up to 1500 mm
G = Wire mesh, 30x30x3, galv. steel
I = Wire mesh, 40x40x4, galv. steel

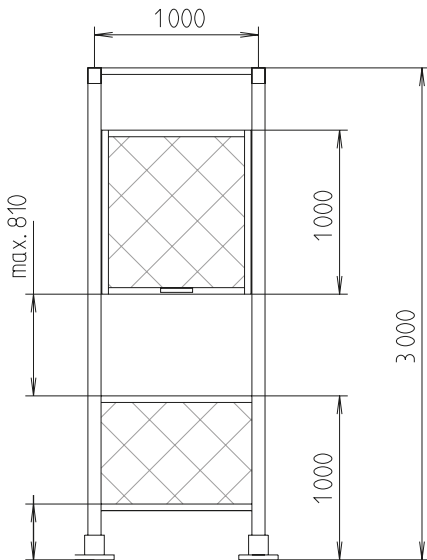
Further widths/heights available on request.

Order example:
Sliding door N 2200 2000 IB

Sliding door right,
Height = 2200,
Width = 2000,
Panel1 = Wire mesh,
Panel2 = Clear acrylic

Lifting door

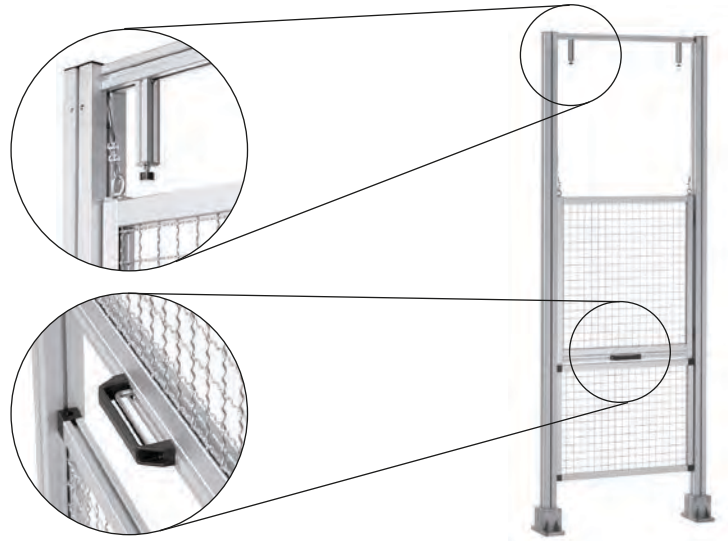
- Consisting of pillar profile F-profile 80-L with base version type 1
- Incl. pulleys, counterweights and infinitely adjustable brake



Please indicate floor clearance in the order

Door limiter with shock absorbers, counterweight pulley system

Infinitely adjustable holding brake in handle



Type	Height	Width	Panel		Frame profile
			1	2	
Lifting door	---	---	-	-	KL 40-II

Standard width: 1000 = 1000 mm

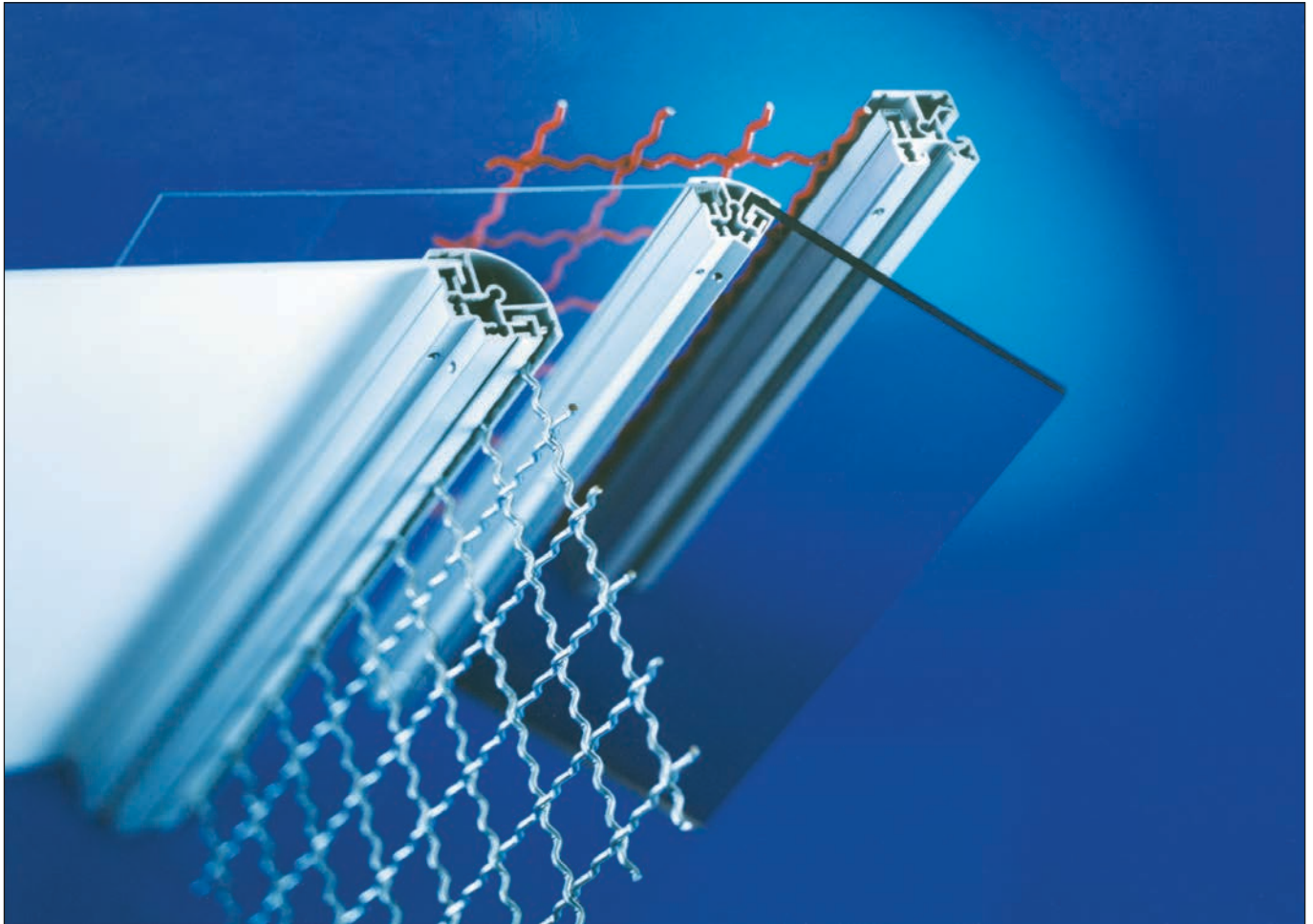
Standard height: 3000 = 3000 mm

- A = Without panel
- B = Acrylic glass, 6 mm, clear
- C = Acrylic glass, 6 mm, tinted
- D = Makrolon glass, 6 mm, clear
- E = Trespa, 6 mm, brown solid core panel available in widths up to 1500 mm
- F = Composite, 6 mm, anodised, available in widths up to 1500 mm
- G = Wire mesh, 30x30x3, galv. steel
- I = Wire mesh, 40x40x4, galv. steel

Further widths/heights available on request.

Order example:
Lifting door 3000 1000 BE

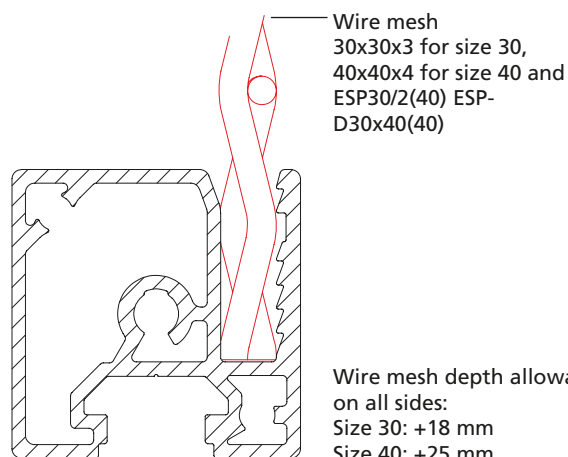
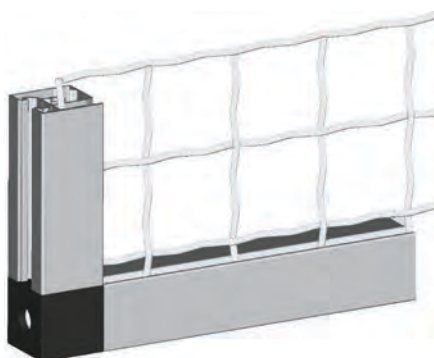
Frame profile = KL 40-II
Height = 3000
Width = 1000
Panel 1 = Clear acrylic
Panel 2 = Trespa



Inserting profiles ESP for wish mesh

Features:

- Special profile for inserting wire meshes (size 30 for 30x30x3, size 40 for 40x40x4,
- Type ESP 30/2 (40) and ESPD 30x40 (40) for 40x40x4)
- Visually attractive and easy to clean thanks to profile visible surfaces without longitudinal slot.
- Corner joint ensures quick and rotation-locked assembly
- High stability thanks to high insertion depth



Clamping profiles

■ A clamping screw presses the clamping bar against the panel. This ensures secure seating and tolerances can be absorbed by the panels without any difficulty.

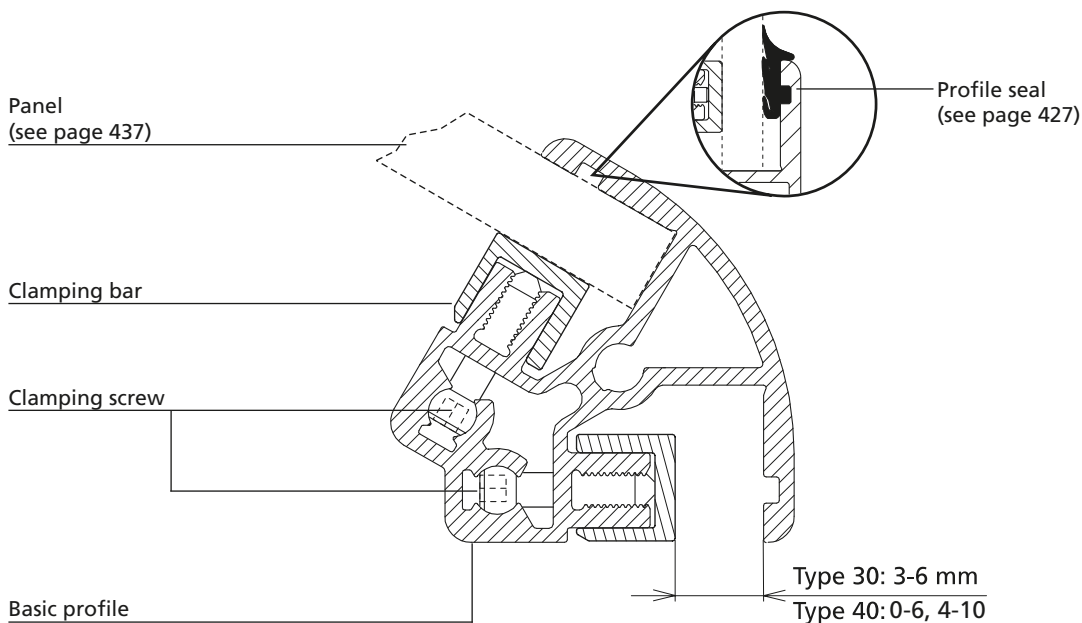
Features:

- Secure seating, no flapping because the panels are clamped
- Visually attractive and easy to clean thanks to smooth visible surface
- Various angle versions for different applications
- Suitable for panel elements with a wall thickness of up to 10 mm
- Panel depth allowances on all sides:

Size 30	+10 mm
Size 40	+15 mm

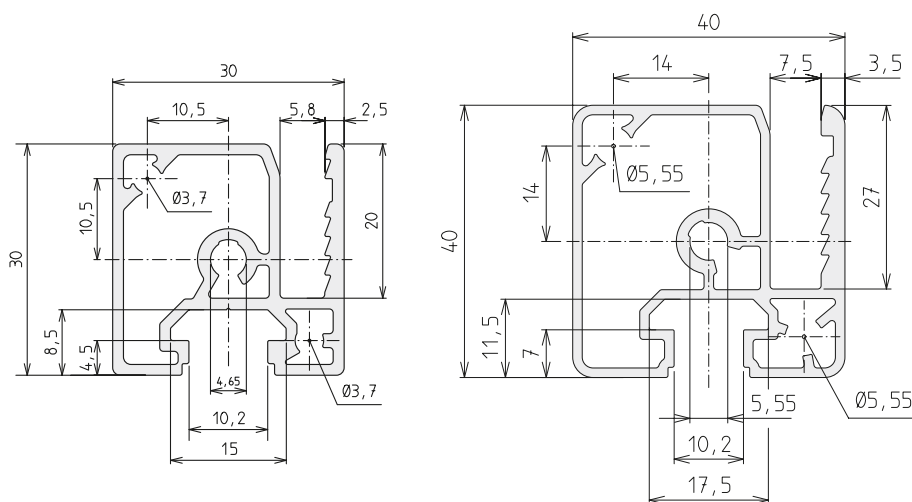
Includes:

Basic profile, clamping bar and set screws (hole spacing approx. 200 mm)



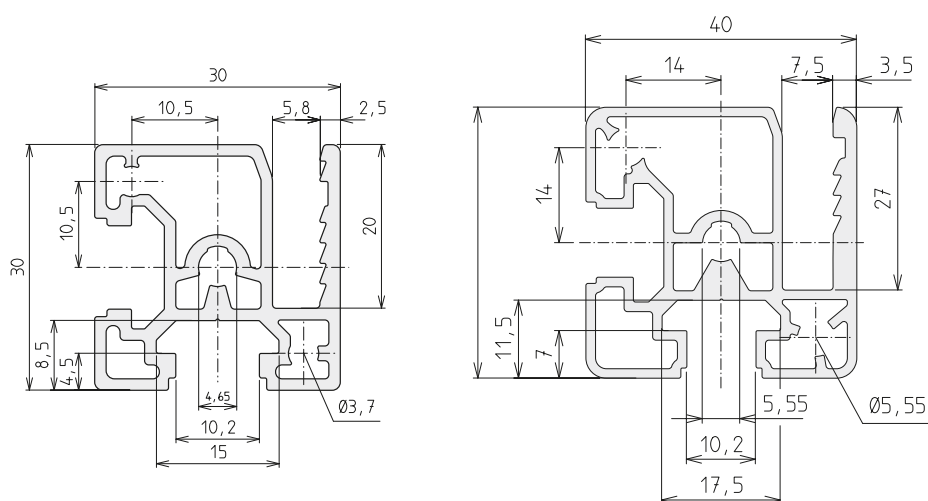
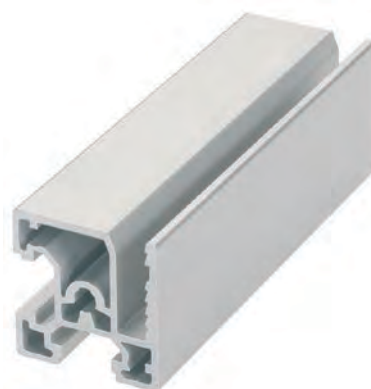
Profiles

Inserting profile ESP for wish mesh



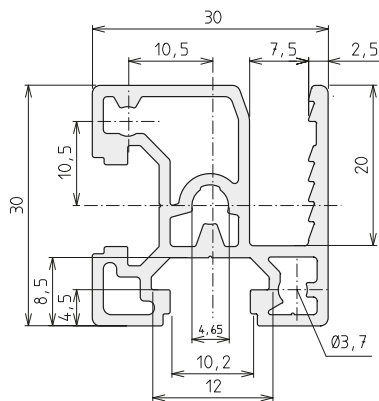
Code No.	Size	Version	For wire mesh	Anodised
4895000	30	Cut to size (max. 6000 mm)	30x30x3	Clear
4895001	30	6000 mm bar	30x30x3	Clear
4905000	40	Cut to size (max. 6000 mm)	40x40x4	Clear
4905001	40	6000 mm bar	40x40x4	Clear

Inserting profile ESP/2 for wish mesh



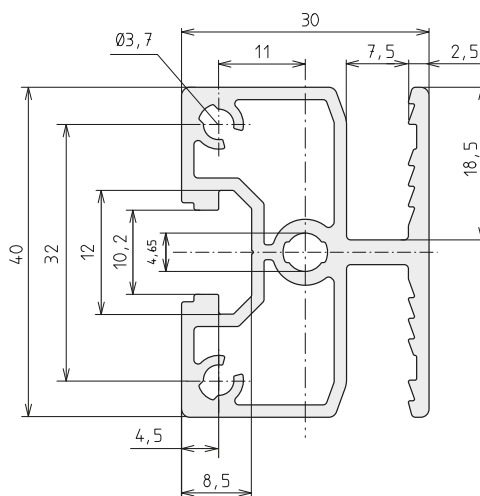
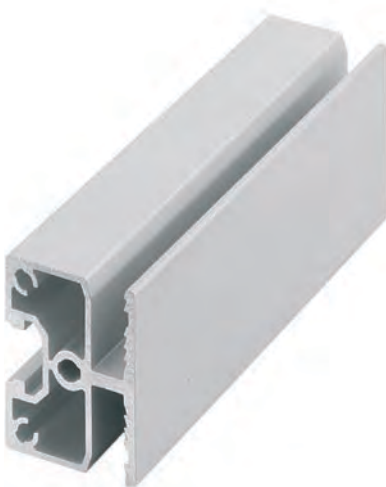
Code No.	Size	Version	For wire mesh	Anodised
4935000	30	Cut to size (max. 6000 mm)	30x30x3	Clear
4935001	30	6000 mm bar	30x30x3	Clear
4945000	40	Cut to size (max. 6000 mm)	40x40x4	Clear
4945001	40	6000 mm bar	40x40x4	Clear

Inserting profile ESP 30/2 (40) for wire mesh



Code No.	Size	Version	For wire mesh	Anodised
4995000	30	Cut to size (max. 6000 mm)	40x40x4	Clear
4995001	30	6000 mm bar	40x40x4	Clear

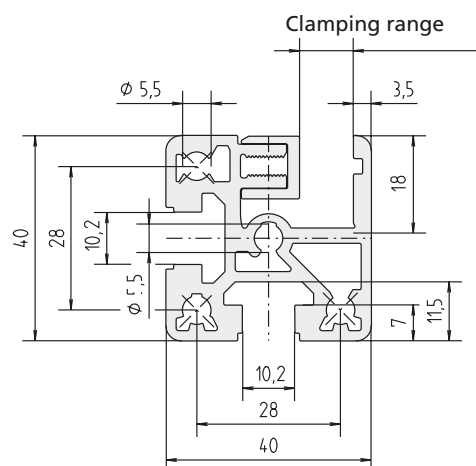
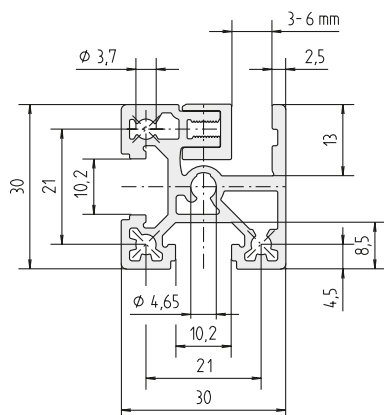
Inserting profile ESPD 30x40 (40) for wire mesh



Code No.	Size	Version	For wire mesh	Anodised
4985000	30	Cut to size (max. 6000 mm)	40x40x4	Clear
4985001	30	6000 mm bar	40x40x4	Clear

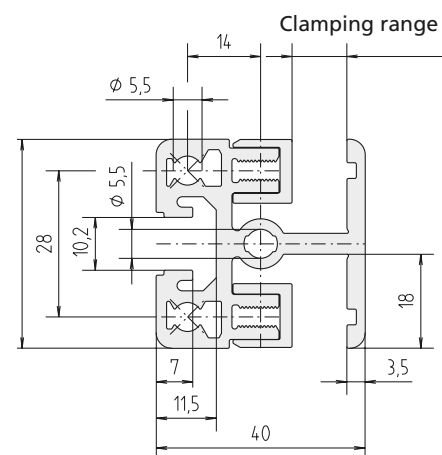
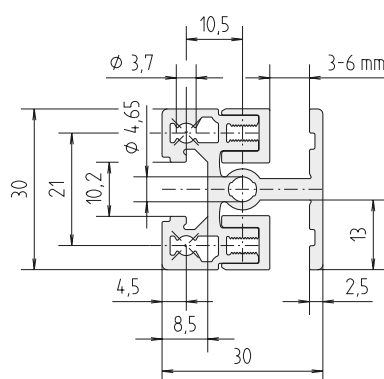
Profiles

Clamping profile



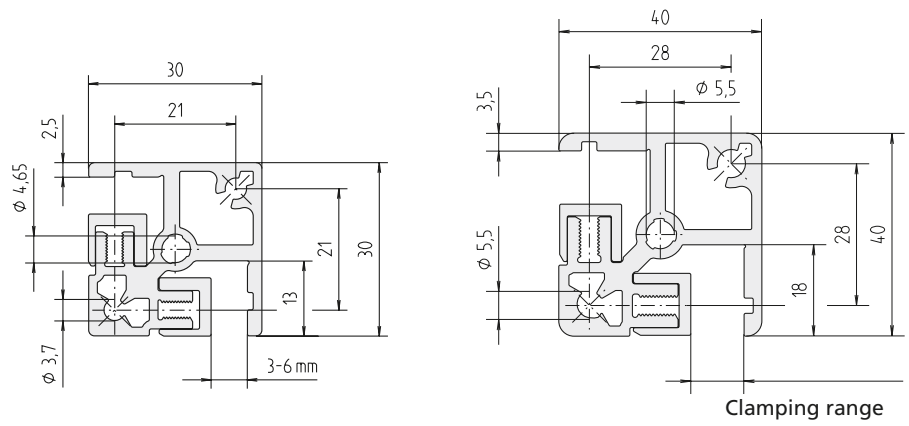
Code No.	Size	Version	Clamping range	Anodised
4D25008	30	Cut to size (max. 6000 mm)	3 - 6 mm	Clear
4D25009	30	6000 mm bar	3 - 6 mm	Clear
4B95100	40	Cut to size (max. 6000 mm)	0 - 6 mm	Clear
4B95101	40	6000 mm bar	0 - 6 mm	Clear
4B95008	40	Cut to size (max. 6000 mm)	4 - 10 mm	Clear
4B95009	40	6000 mm bar	4 - 10 mm	Clear

Clamping profile KLD



Code No.	Size	Version	Clamping range	Anodised
4605008	30	Cut to size (max. 6000 mm)	3 - 6 mm	Clear
4605009	30	6000 mm bar	3 - 6 mm	Clear
4615100	40	Cut to size (max. 6000 mm)	0 - 6 mm	Clear
4615101	40	6000 mm bar	0 - 6 mm	Clear
4615008	40	Cut to size (max. 6000 mm)	4 - 10 mm	Clear
4615009	40	6000 mm bar	4 - 10 mm	Clear

Clamping profile KLE

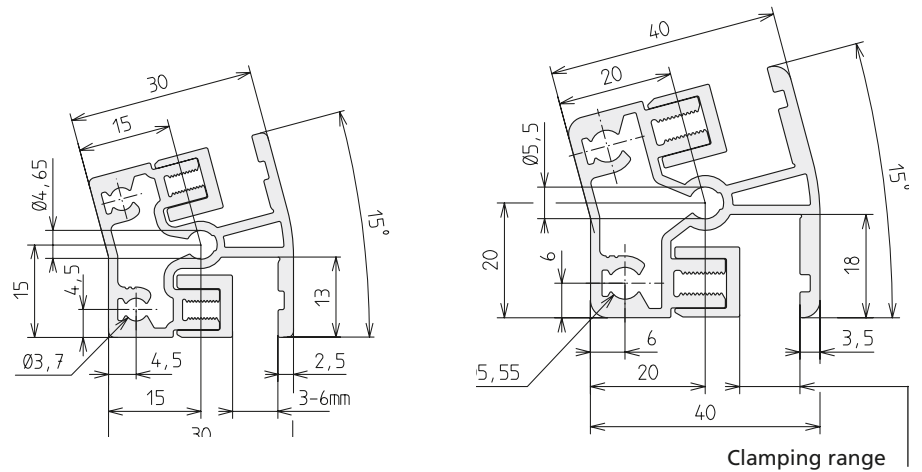


Code No.	Size	Version	Clamping range	Anodised
4705008	30	Cut to size (max. 6000 mm)	3 - 6 mm	Clear
4705009	30	6000 mm bar	3 - 6 mm	Clear
4715100	40	Cut to size (max. 6000 mm)	0 - 6 mm	Clear
4715101	40	6000 mm bar	0 - 6 mm	Clear
4715008	40	Cut to size (max. 6000 mm)	4 - 10 mm	Clear
4715009	40	6000 mm bar	4 - 10 mm	Clear

Profiles



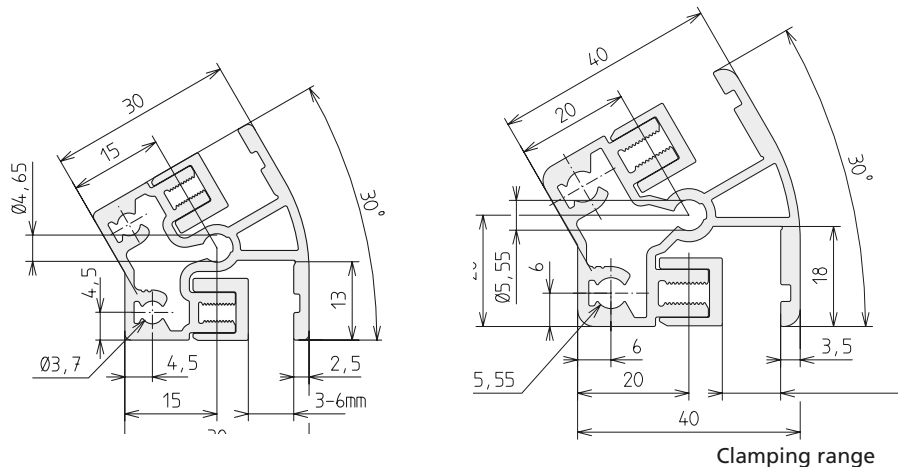
Clamping profile KLW-15



Code No.	Size	Version	Clamping range	Anodised
4405000	30	Cut to size (max. 6000 mm)	3 - 6 mm	Clear
4405001	30	6000 mm bar	3 - 6 mm	Clear
4455100	40	Cut to size (max. 6000 mm)	0 - 6 mm	Clear
4455101	40	6000 mm bar	0 - 6 mm	Clear
4455000	40	Cut to size (max. 6000 mm)	4 - 10 mm	Clear
4455001	40	6000 mm bar	4 - 10 mm	Clear

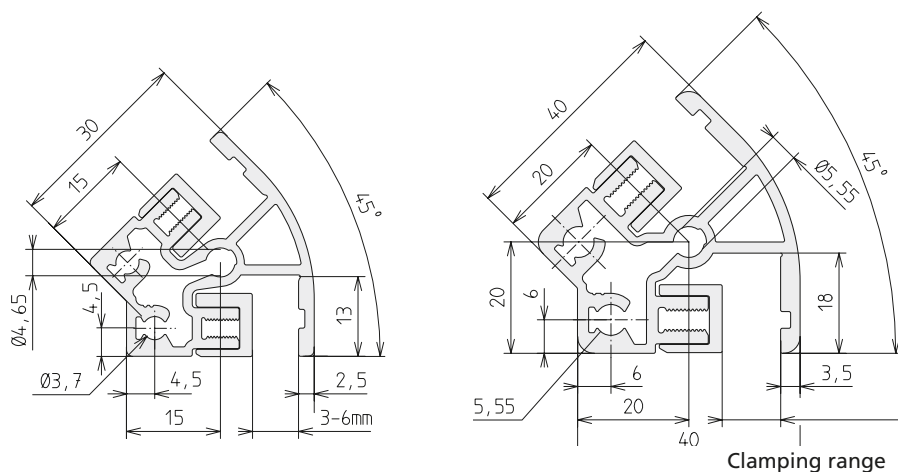


Clamping profile K LW-30



Code No.	Size	Version	Clamping range	Anodised
4415000	30	Cut to size (max. 6000 mm)	3 - 6 mm	Clear
4415001	30	6000 mm bar	3 - 6 mm	Clear
4465100	40	Cut to size (max. 6000 mm)	0 - 6 mm	Clear
4465101	40	6000 mm bar	0 - 6 mm	Clear
4465000	40	Cut to size (max. 6000 mm)	4 - 10 mm	Clear
4465001	40	6000 mm bar	4 - 10 mm	Clear

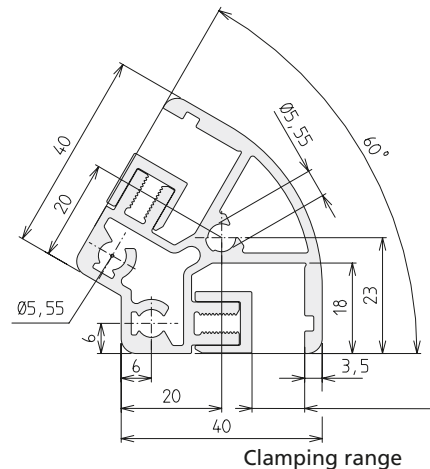
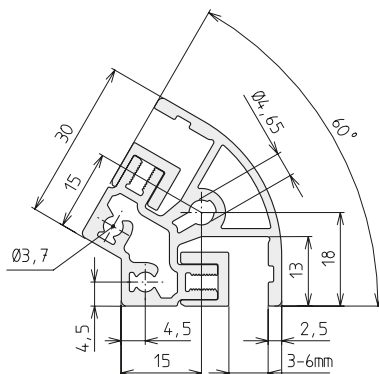
Clamping profile K LW-45



Code No.	Size	Version	Clamping range	Anodised
4425000	30	Cut to size (max. 6000 mm)	3 - 6 mm	Clear
4425001	30	6000 mm bar	3 - 6 mm	Clear
4475100	40	Cut to size (max. 6000 mm)	0 - 6 mm	Clear
4475101	40	6000 mm bar	0 - 6 mm	Clear
4475000	40	Cut to size (max. 6000 mm)	4 - 10 mm	Clear
4475001	40	6000 mm bar	4 - 10 mm	Clear

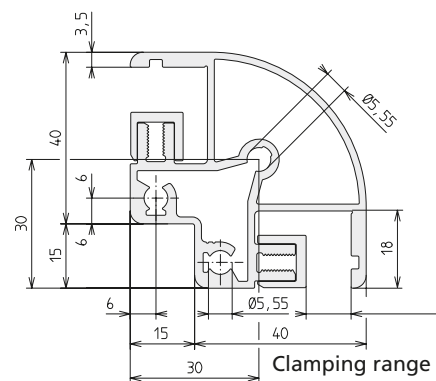
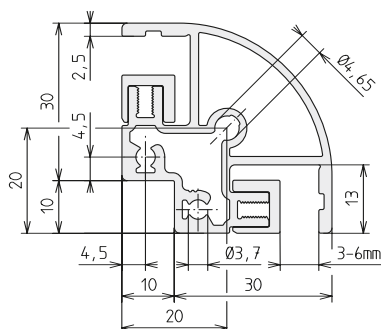
Profiles

Clamping profile K LW-60



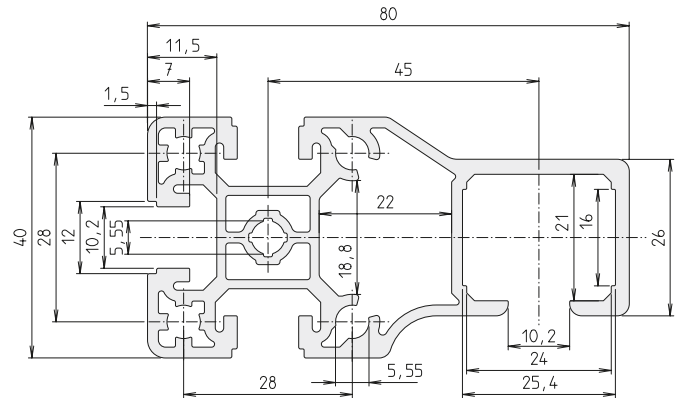
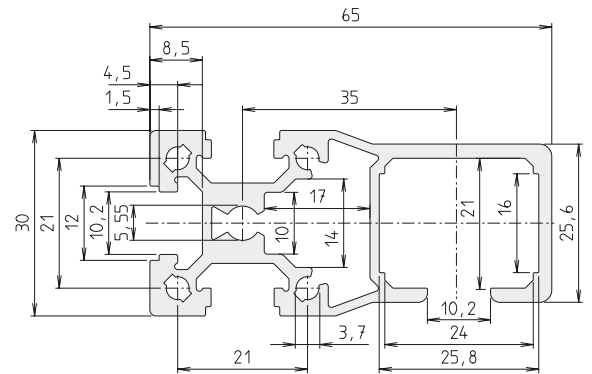
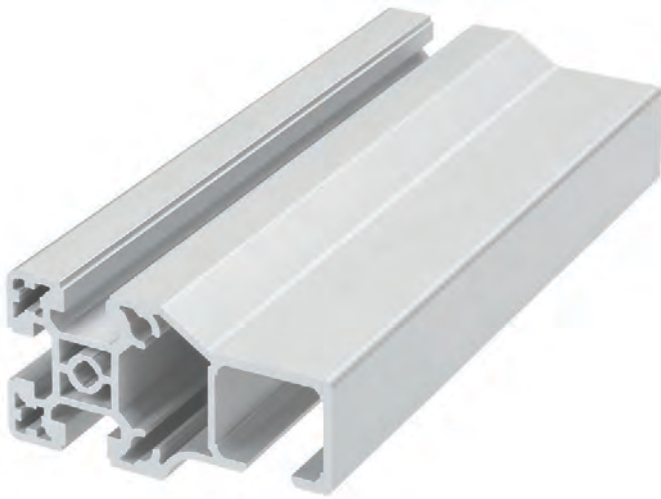
Code No.	Size	Version	Clamping range	Anodised
4445000	30	Cut to size (max. 6000 mm)	3 - 6 mm	Clear
4445001	30	6000 mm bar	3 - 6 mm	Clear
4495100	40	Cut to size (max. 6000 mm)	0 - 6 mm	Clear
4495101	40	6000 mm bar	0 - 6 mm	Clear
4495000	40	Cut to size (max. 6000 mm)	4 - 10 mm	Clear
4495001	40	6000 mm bar	4 - 10 mm	Clear

Clamping profile K LW-90

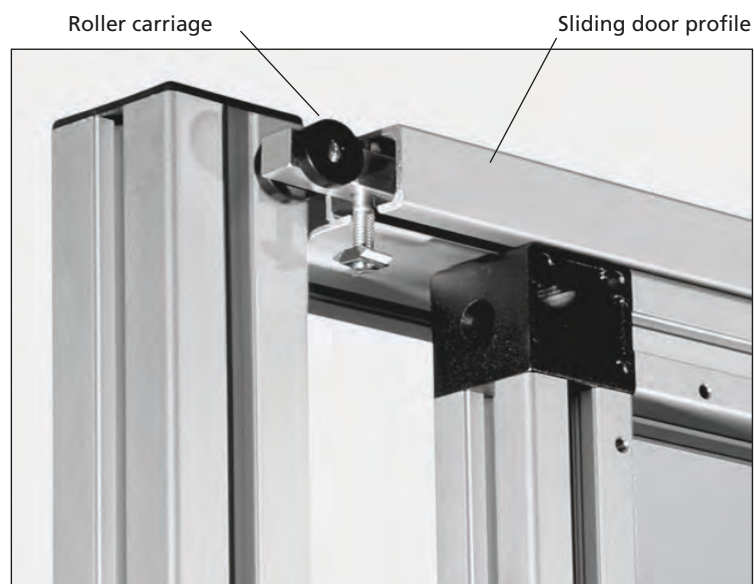


Code No.	Size	Version	Clamping range	Anodised
4435000	30	Cut to size (max. 6000 mm)	3 - 6 mm	Clear
4435001	30	6000 mm bar	3 - 6 mm	Clear
4485100	40	Cut to size (max. 6000 mm)	0 - 6 mm	Clear
4485101	40	6000 mm bar	0 - 6 mm	Clear
4485000	40	Cut to size (max. 6000 mm)	4 - 10 mm	Clear
4485001	40	6000 mm bar	4 - 10 mm	Clear

Sliding door profile STP



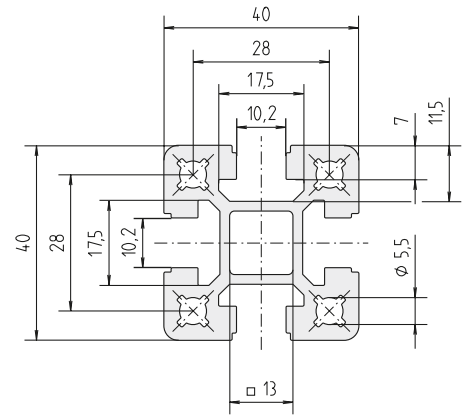
Code No.	Size	Version	Anodised
4175000	30	Cut to size (max. 6000 mm)	Clear
4175001	30	6000 mm bar	Clear
4185000	40	Cut to size (max. 6000 mm)	Clear
4185001	40	6000 mm bar	Clear



Application example sliding door profile

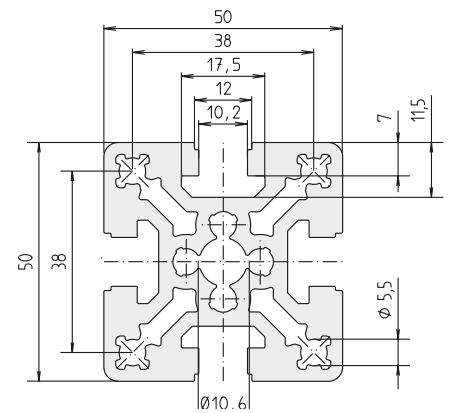
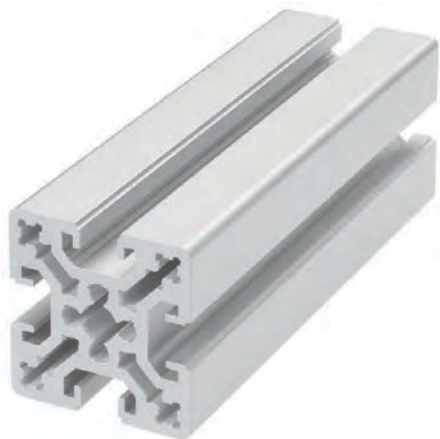
Profiles

Pillar profile S-40x40



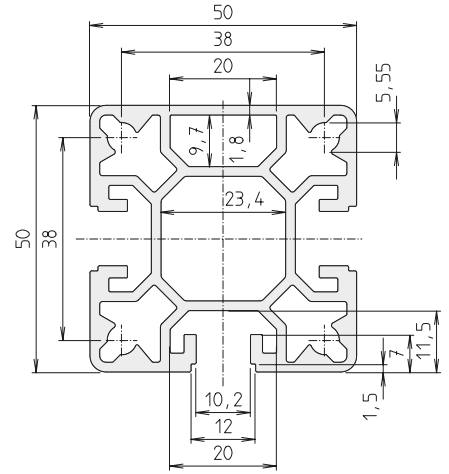
Code No.	Size	Version	Anodised
4015000	40	Cut to size (max. 6000 mm)	Clear
4015001	40	6000 mm bar	Clear

Pillar profile F-50x50

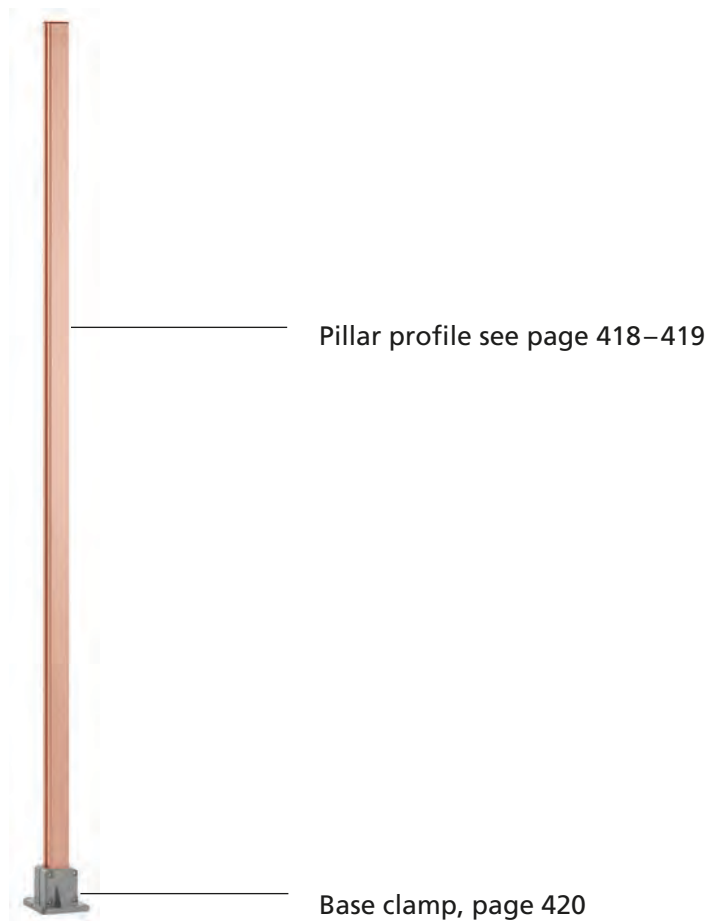


Code No.	Size	Version	Anodised
4085000	50	Cut to size (max. 6000 mm)	Clear
4085001	50	6000 mm bar	Clear

Pillar profile SP-50x50



Code No.	Size	Version	Anodised
4635000	50	Cut to size (max. 6000 mm)	Clear
4635001	50	6000 mm bar	Clear



Complete pillars, page 398

Base clamp FVV

- Clamp to take size 40 and 50 pillar profiles. See page 418–419.
- Set screws can be used to compensate for unevenness.
- Levelling shims give the base clamp a full contact surface.

Base clamp

Material: Gravity die-cast aluminium

Includes:

Clamp, set screw and clamping screws

Supporting shim

Material: Steel

Includes: One 1-mm shim

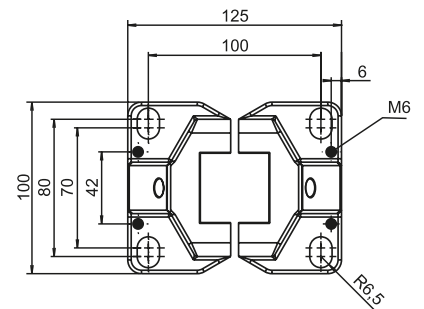
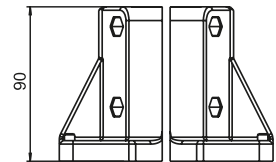
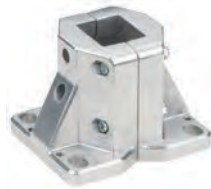
Levelling shims

Material: Aluminium

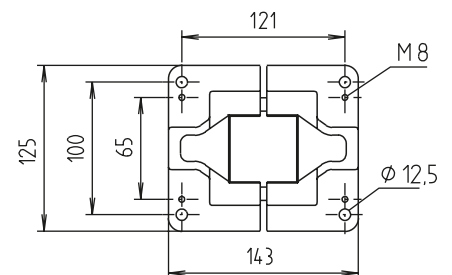
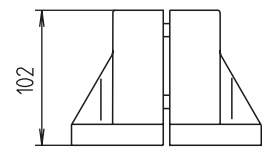
Includes: The Code No. includes one set of 4 1-mm shims and 1 0.5-mm shim.



For pillar profile S-40x40



For pillar profile 50, F-50x50



Code No.	Type
4014312	Base clamp FVV-S 40
4084300	Base clamp FVV-S 50
4080500	Supporting shim for FVV 50
4014301	Levelling shims for FVV 40
4014302	Levelling shims for FVV 50

Fixing bolt

- For fixing type 1 and 2 base versions (see page) and the 60° support (see below) to the substrate.
- The Order No. includes one pack of 4 fasteners.

Material:
Galvanised steel.

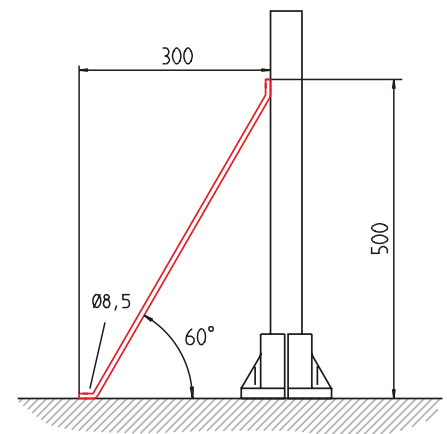


Code No.	Type	Hole diameter
4016606	8 x 60	12
4016603	8 x 115	8

Support

Material:
Black powder-coated steel,
Galvanised fastenings.

Includes:
Comple with fixing for pillar profile. (For floor fixing, see above)



Code No.	Type
4082561	Support 60°

Accessories

Corner joint

Version KL



Version KLE



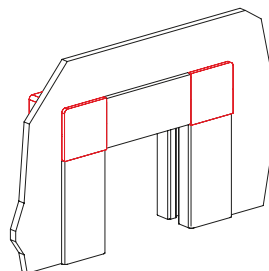
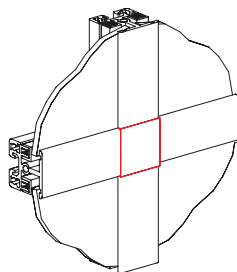
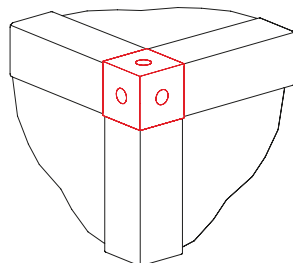
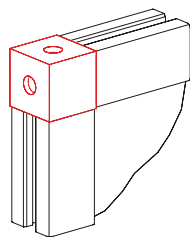
Version KLK



Version KLA



Version KLV



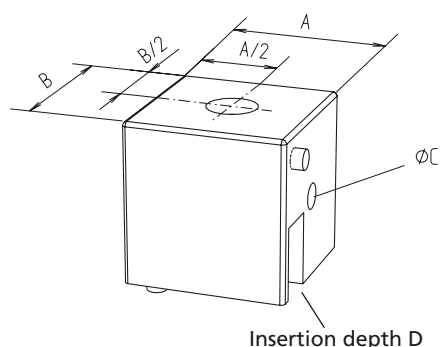
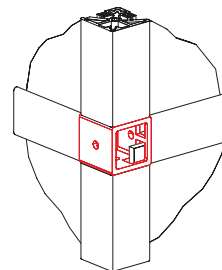
- Connection element for right-angled connections for clamping and inserting profiles (see page 408–409).
- The fixing screws are inserted directly into the profile. Centring pins prevent profile torsion.
- With versions KL/KLE, the screw holes can optionally be sealed with a plastic cap.

Material:

Die-cast zinc, gravity die-cast aluminium (see table)

Includes:

Includes all parts required to fully assemble one corner joint



							[mm]
Code No.	Type	For profile	A	B	C	D	
Die-cast zinc							
4202406	KL 30	KL,ESP,ESP-2, F-/G/GG/2G/3G	30	30	5.4	13	
4212406	KL 40		40	40	6.4	18	
4702406	KLE 30	KLE,F-/G/GG, 2G/3G	30	30	5.4	13	
4712406	KLE 40		40	40	6.4	18	
4202409	KLA 30	KL,ESP,ESP-2	30	30	5.4	13	
4212409	KLA 40		40	40	6.4	18	
Gravity die-cast aluminium							
4202408	KLK 30	KLD	30	30	5.4	13	
4212408	KLK 40	KLD	40	40	6.4	18	
4202407	KLV 30	KLE, KLD	30	30	5.4	13	
4212407	KLV 40		40	40	6.4	18	
Stopper (black)							
4018597	KL/KLE 30	Pack of 100					
4018598	KL/KLE 40						
Cap (black)							
4000421	KL 30	Single component					
4010421	KL 40						

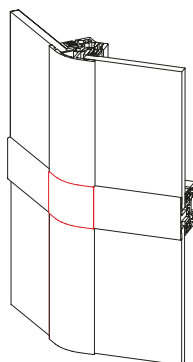
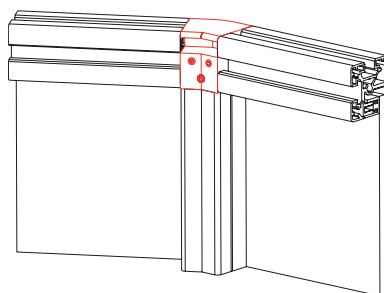


Corner joint

Corner joint KLW



Corner joint KLWK



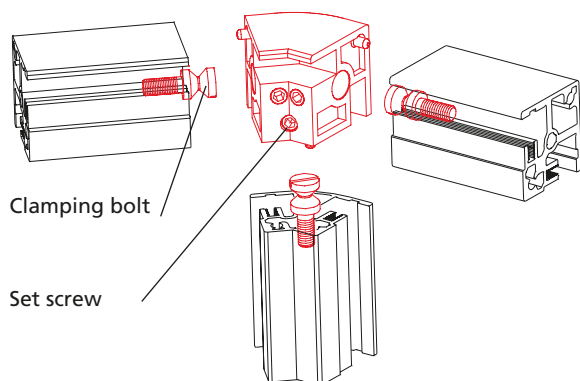
- Connection element for assembling profile angle brackets and clamping profiles
- Centring pin provides rotation locking

Material:

Die-cast zinc, black powder-coated aluminium (see table)

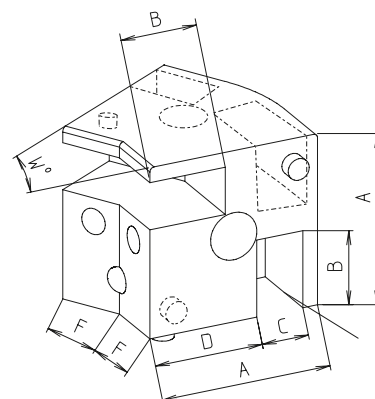
Includes:

Includes all parts required to fully assemble one corner joint



Assembly steps

1. Screw clamping bolt into profile
2. Put together with corner joint
3. Tighten set screw on corner joint – done!



*If using W-profiles, the corners of panels may have to be notched.

Code No.	Type	For profile*	A	B	C	D	F	W	
Die-cast zinc									
4412406	KLW 30-30	KLW 30-30, KL, KLE, ESP 30	30	13	8	19.5	11.0	30°	
4422406	KLW 30-45	KLW 30-45, KL, KLE, ESP 30	30	13	8	19.5	8.8	45°	
4622406	KLW 30-60	KLW 30-60, KL, KLE, ESP 30	30	13	8	19.5	8	60°	
4432406	KLW 30-90	KLW 30-90, KL, KLE, ESP 30	30	13	8	19.5	10.0	90°	
4472406	KLW 40-45	KLW 40-45, KL, KLE, ESP 40	40	18	11	25.5	11.7	45°	
4632406	KLW 40-60	KLW 40-60, KL, KLE, ESP 40	40	18	11	25.5	11.5	60°	
4482406	KLW 40-90	KLW 40-90, KL, KLE, ESP 40	40	18	11	25.5	15.0	90°	
Black powder-coated aluminium									
4402406	KLW 30-15	KLW 30-15, KL, KLE, ESP 30	30	13	8	19.5	13.0	15°	
4452406	KLW 40-15	KLW 40-15, KL, KLE, ESP 40	40	18	11	25.5	17.4	15°	
4462406	KLW 40-30	KLW 40-30, KL, KLE, ESP 40	40	18	11	25.5	14.6	30°	
4422407	KLWK 30-45	KLW 30-45, KLD 30	30	13	8	19.5	8.8	45°	
4472407	KLWK 40-45	KLW 40-45, KLD 40	40	18	11	25.5	11.7	45°	

Connection element -S- (Click&Safe)



- Operation complies with EU Machinery Directive 2006/42/EC
- Extremely quick and simple assembly without tools and without fastenings
- Angle compensation ± 5 degrees between post and frame
- Disassembly only possible with a special unlocking tool according to the machinery directive

Material: Black plastic, galvanised steel fastenings

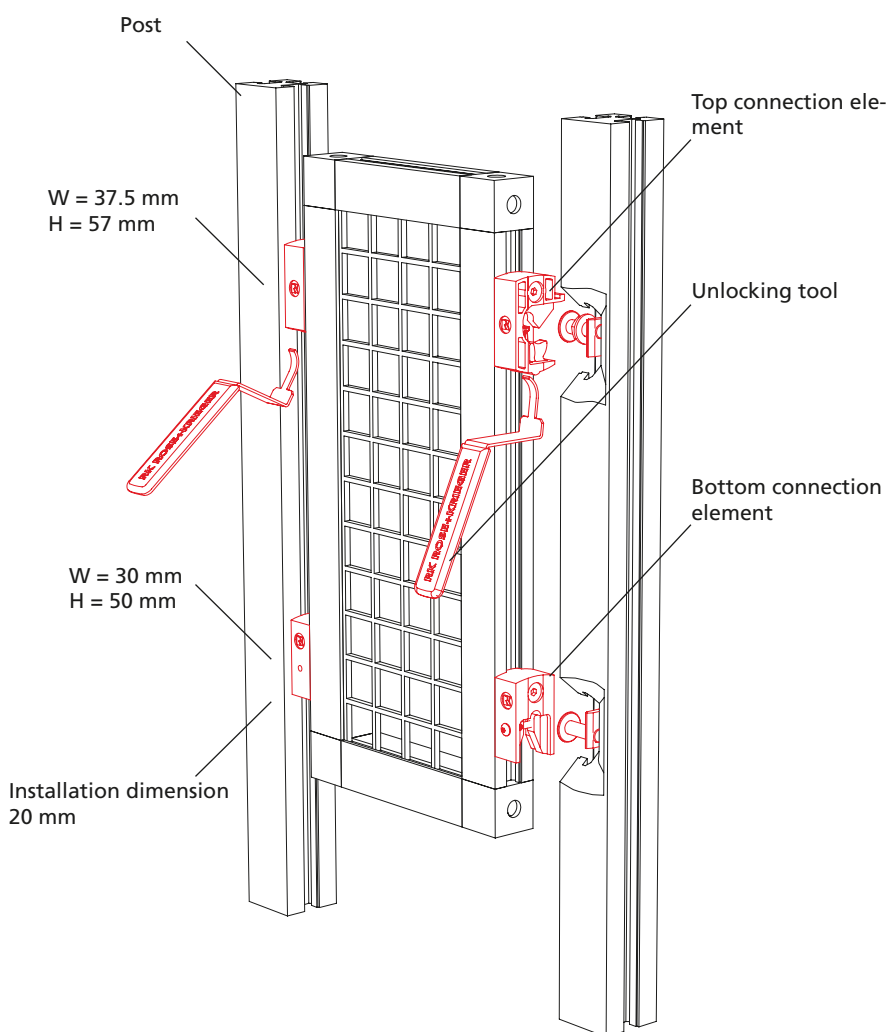
Includes:

Connection elements to take one profile frame (2 tops, 2 bottoms, fastenings)

Connection element



Unlocking tool



According to the machinery directive 2006/42/EC (valid from 29/12/2009)

Code No.	Type	Slot geometry
4000657	Connection element 30	30
4010657	Connection element 40	40
4000658	Connection element 30-40	30 to 40
4016697	Unlocking tool, set of 2	



Assembly:

1) Insert frame into the lower holder.



2) Press frame into the holder at the top.
The safety guard element automatically engages and locks.

Done!



A safety guard element is disassembled with a special unlocking tool according to the machinery directive.

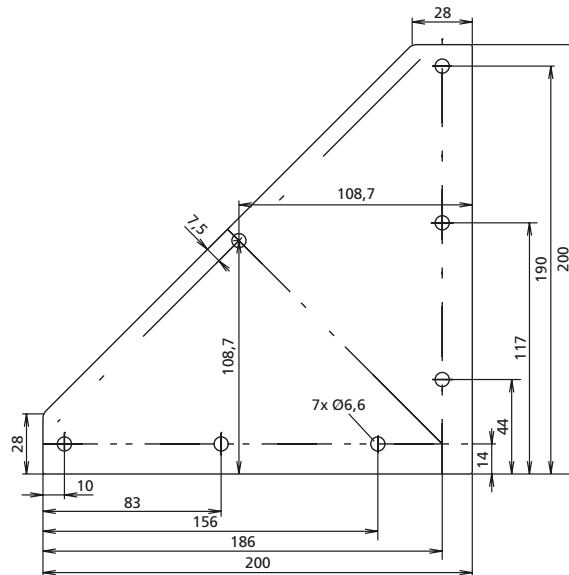
Accessories

Bracing plate



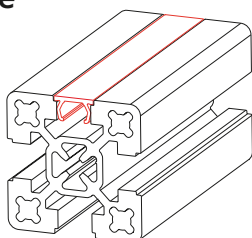
- For additional reinforcement if required

Material: Black powder-coated steel, galvanised fastenings
Includes:
 Complete with fixing set



Code No.	Slot geometry
4012112	40

Cover profile



- For the flush covering of longitudinal slots.
- Due to the geometry of type 1, it is possible to route leads in the slot. Type 2, on the other hand, is easier to take out of the profile slot (without leaving residues).

Material: Plastic, further special colours available on request

White aluminium
RAL 9006



Light grey
RAL 7035



Rape yellow
RAL 1021



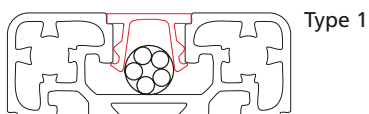
Traffic red
RAL 3020



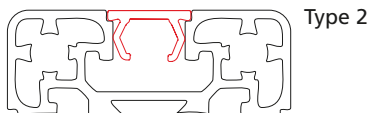
Signal blue
RAL 5005



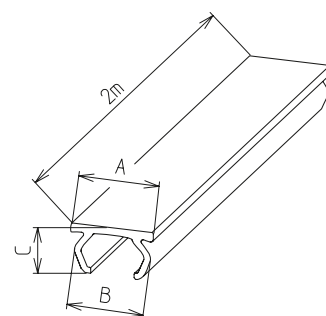
Black
RAL 9005



Type 1



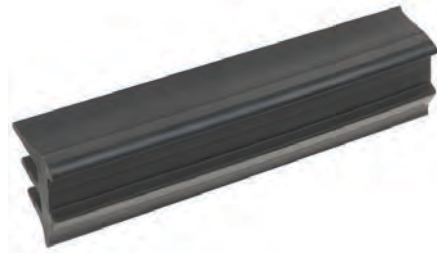
Type 2



Code No.	Type	Colour	A	B	C
4000575	2	Light grey	12	11.2	6.4
4000577	2	White aluminium	12	11.2	6.4
4000579	2	Rape yellow	12	11.2	6.4
4000581	2	Traffic red	12	11.2	6.4
4000583	2	Signal blue	12	11.2	6.4
4000570	2	Black	12	11.2	6.4
4000585	1	Rape yellow	12	11.2	6.4
4008570	1	Black	12	11.2	6.4
NEW 4000586	1	Transparent	12	11.2	6.4

Please note that, for typographical reasons, the colours illustrated here are only an approximation of the RAL colours.

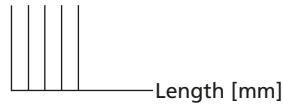
Profile seal



- For sealing panels (see page „Panels“ on page 437). The clampable wall thickness is reduced by 2 mm.

Material: Black plastic

Code No.	Size	Version
4218571_-----	For all clamping profiles	By the metre, max. length 100 m

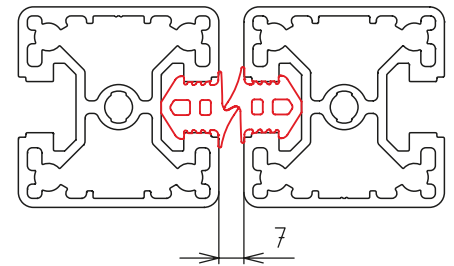


Door gap seal

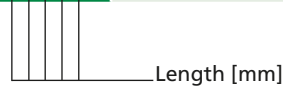


- Acts as a door stop
- Compensates for variation in the door gap width

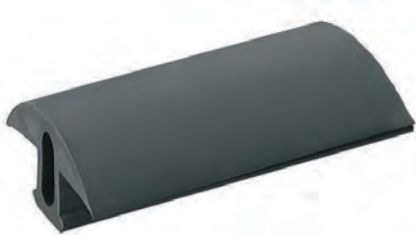
Material: Black plastic
Shore hardness: 55 Shore



Code No.	Type	Slot geometry
4018518_-----	Door gap seal, by the metre, max. length 100 m	40



Rim

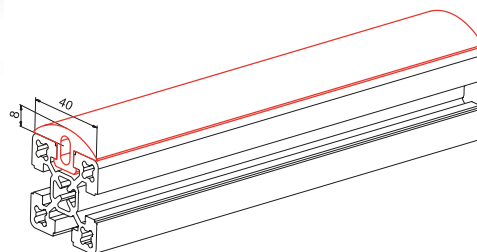


- The rim is simply pressed into the profile slot and protects the structure against damage.

- Application examples include door stop protection or as edge protection when handling structures.

- The profile is available to cut to size or on a roll.

Material: Black plastic
Shore hardness: 70 Shore



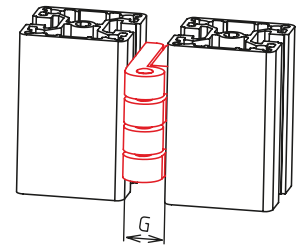
Code No.	Type	Slot geometry
4018594	Rim, 30 m roll	40
4018599	Rim, cut to size	40



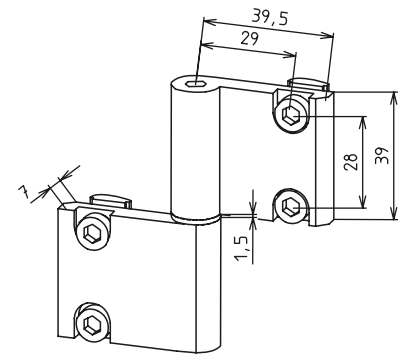
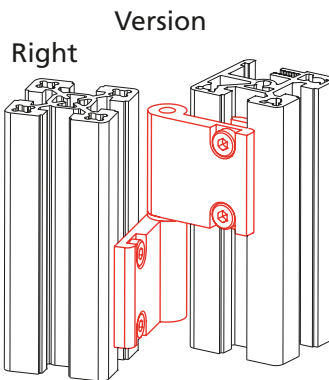
Accessories

Hinges

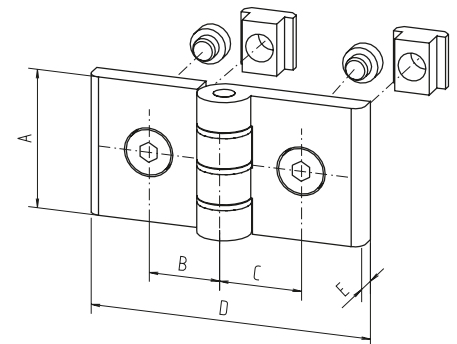
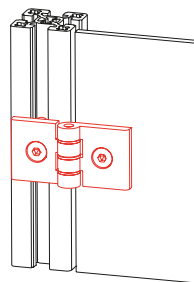
Material:
Black anodised aluminium,
galvanised steel parts
Includes:
With fixing set



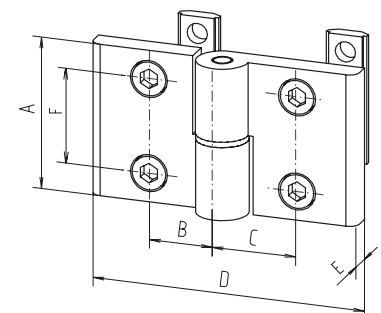
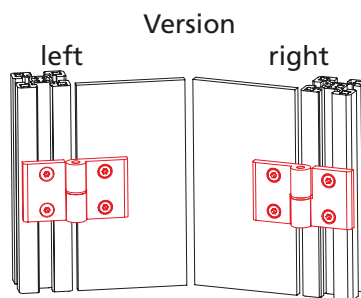
Lift off hinge (narrow)



Butt hinge



Lift off hinge



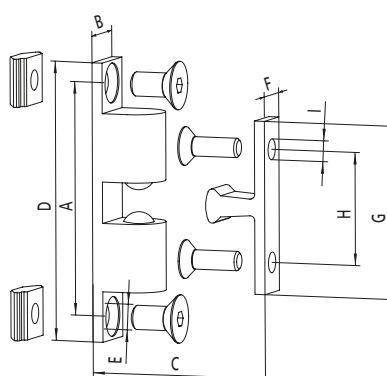
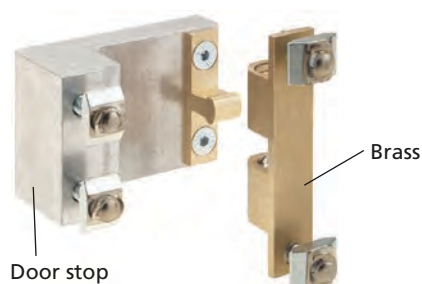
*For further versions,
please see section III

Code No.	Type	A	B	C	D	E	F	G	
4015525	Butt hinge, 40 slot geometry	40	22	22	79	7	-	15	
4015520	Lift off hinge, 40 slot geometry, left	45	22	22	79	7	28	15	
4015521	Lift off hinge, 40 slot geometry, left	45	22	22	79	7	28	15	
4015523	Lift off hinge, narrow, 40 slot geometry, left							See diagram	7.5
4015522	Lift off hinge, narrow, 40 slot geometry, right							See diagram	7.5

Ball catch

Material: Aluminium, brass

Fixing:
Galvanised steel.



Code No.	Type	A	B	C _{min}	D	E	F	G	H	I
4010606	Without door stop	48.5	12	11.6	58	5.3	8.5	36	23.5	4.3
4000608	With door stop for fixing profile 30 to 30									
4010607	With door stop for fixing profile 30 to 40									
4010608	With door stop for fixing profile 40 to 40									
4000609	With door stop for fixing profile 50 to 50									

Magnetic lock

■ Suitable from profile size 40.
Complete with fixing set.

Material: Plastic, galvanised steel parts.

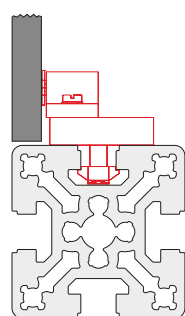
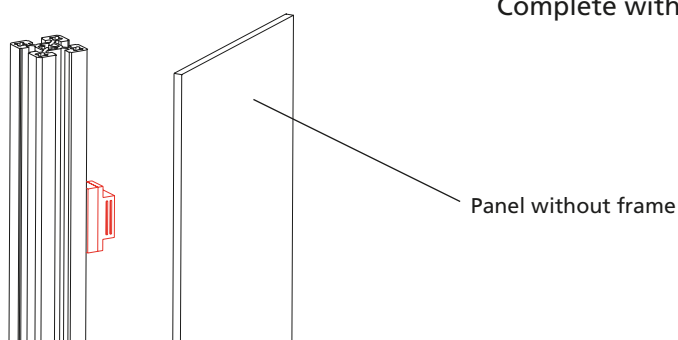


Fig. 1

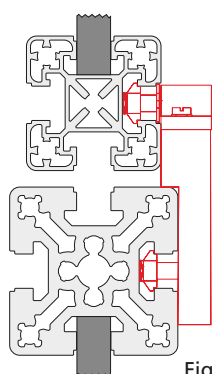


Fig. 2

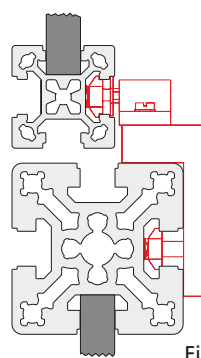
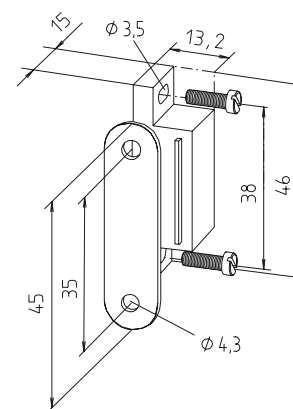


Fig. 3



Code No.	Profile assembly	Installation	Sim. to fig.
4010605	From 30	Without frame	1
4010604	From 30	Profiles centr.	2
4000610	30 to 30	Profiles centr.	2
4010611	40 to 30	Profiles centr.	2
4010612	40 to 30	Profiles flush	3
4080603	50 to 30	Profiles flush	3
4080606	50 to 40	Profiles centr.	2
4080604	50 to 40	Profiles flush	3

Accessories

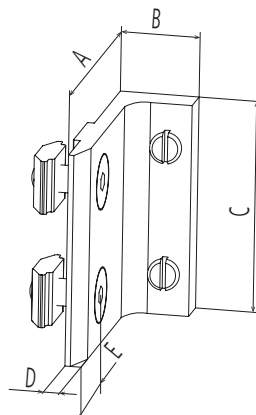
Door stopper

■ Suitable from profile size 40.

Material: Black plastic
Includes:
 With fastenings, galvanised steel



Set screws for fine adjustment of the door

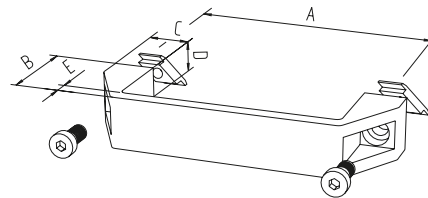


							[mm]
Code No.	Slot geometry	A	B	C	D	E	
4008650	30	34	14.7	40	3	11	

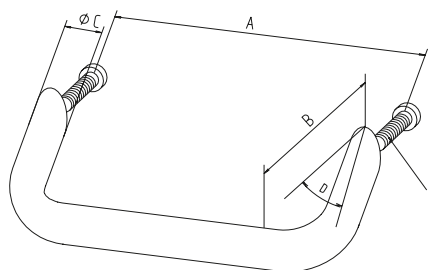
Handle

Material size 150 and 197:
 Black plastic, fibreglass-reinforced
Material size 152:
 Black powder-coated aluminium
Includes:
 With fastenings, galvanised steel.

Size 150 and 197



Size 152



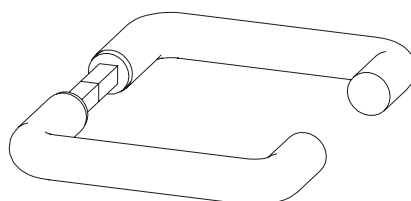
								[mm]
Code No.	Size	Slot geometry	A	B	C	D	E	
4005596	152	Drill	128	50	20	35°	M6x30	
4015598	152	Drill	128	50	20	35°	M6x40	
4008596	150	30	131	44	22	27	7	
4015596	150	40	131	44	22	27	7	
4015597	197	40	178	50	22	28	8	

Door lock -KL-

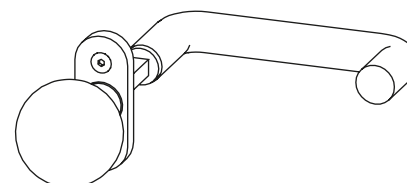
- Installation between two clamping profiles without additional machining
- Available with door handle or with panic lock

Includes:

Complete door lock with cylinder lock, handle set and fastenings, galvanised steel parts.



Handle set with hinged door and sliding door



Handle set with hinged door with panic lock (one fixed knob, one door handle)



Hinged door version



Sliding door version

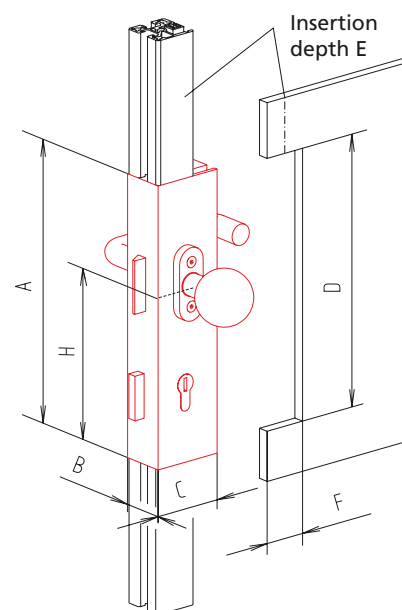


Figure shows right type

[mm]

Code No.	Version	A	B	C	D	E	F	H
4200630	For hinged door KL 30, right	255	30	65	242	10	37	161.5
4200631	For hinged door KL 30, left	255	30	65	242	10	37	161.5
4200632	For hinged door KL 30 with panic lock, right	255	30	65	242	10	37	161.5
4200633	For hinged door KL 30 with panic lock, left	255	30	65	242	10	37	161.5
4200636	For sliding door KL 30, right	255	30	65	242	10	37	132
4200637	For sliding door KL 30, left	255	30	65	242	10	37	132
4210630	For hinged door KL 40, right	255	40	65	242	15	32	161.5
4210631	For hinged door KL 40, left	255	40	65	242	15	32	161.5
4210632	For hinged door KL 40 with panic lock, right	255	40	65	242	15	32	161.5
4210633	For hinged door KL 40 with panic lock, left	255	40	65	242	15	32	161.5
4210636	For sliding door KL 40, right	255	40	65	242	15	32	132
4210637	For sliding door KL 40, left	255	40	65	242	15	32	132

Accessories

Roller module / sliding piece

- Primarily for use in sliding doors
- Profile slot fixation
- Very good running properties thanks to large roller diameter
- Sliding pieces act as a guide at the bottom of the sliding doors

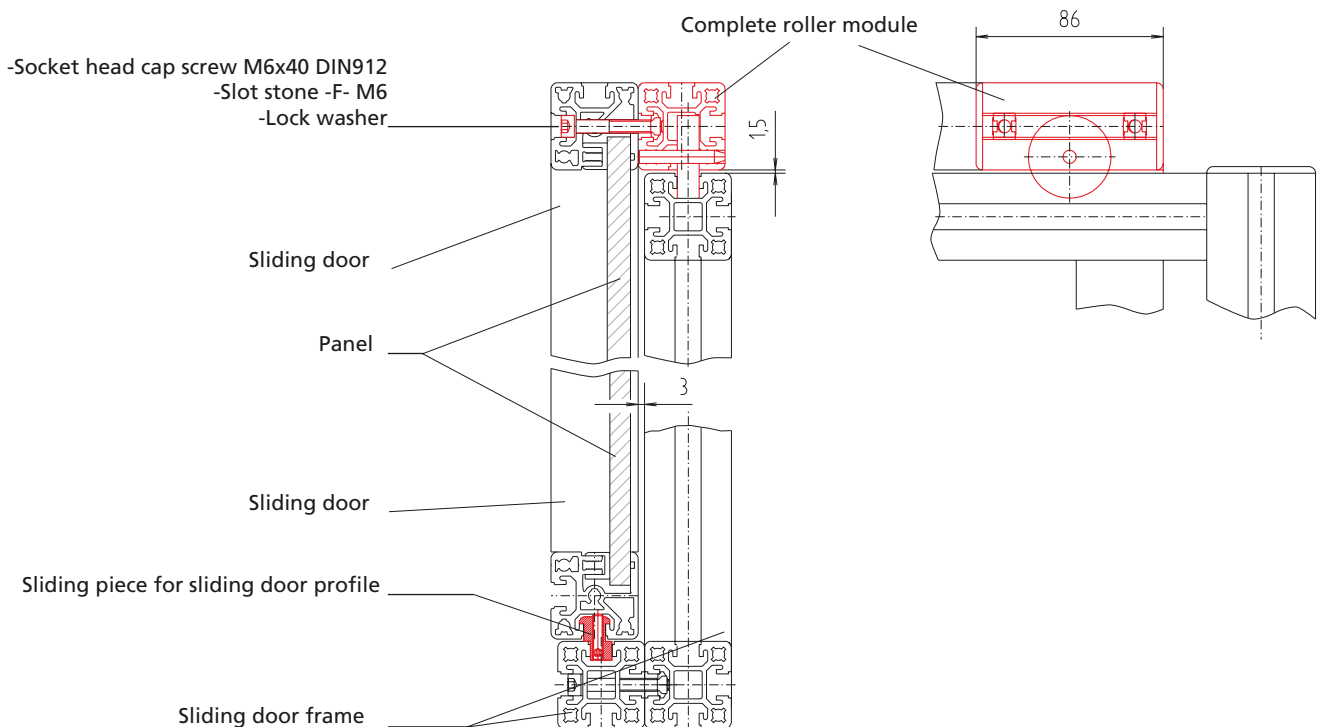
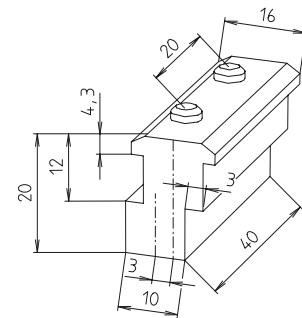
Material: Plastic roller, plastic sliding piece

Includes:

Roller module complete with roller, cover plates and fastenings.
Sliding piece with set screws



Set screw M5x16 DIN913

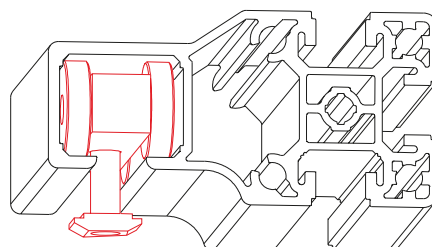


Code No.	Version
4018649	Complete roller carriage, from profile 40x40
4018648	Sliding piece for sliding door guide, from profile 40x40

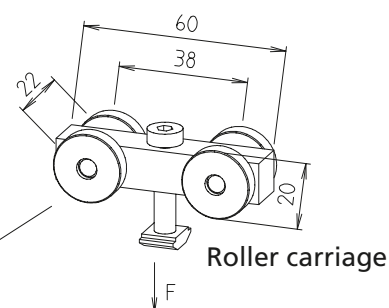
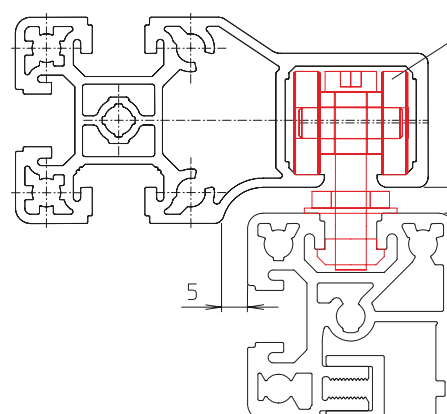
Roller carriage

- Geared to sliding door profiles 30 and 40 (page 417)
- Can also be used as single components in structures

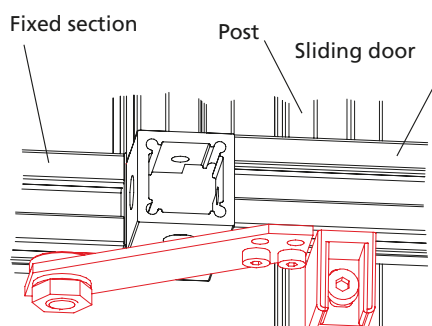
Material: Aluminium base body with slide bush, black plastic rollers



Sliding door profile



Roller carriage



Bottom guide

Code No.	Type	Version	F
4170601	30	Complete roller carriage	150 N
4180601	40	Complete roller carriage	150 N
4008660	30	Bottom guide	
4018660	40	Bottom guide	

Safety switch AZ 15zvr

- For safely switching off circuits
- Suitable for hinged, flap, sliding and lifting doors

Technical data: Self-extinguishing fibreglass-reinforced thermoplastic

Actuator key:

Stainless spring steel

Degree of protection:

IP67 to IEC 529/EN 60529/DIN VDE 0470-1

Contact material: Fine silver

Contact type: One-pin, double-breaking, positively driven NC to VDE 001

Pivot radius: R_{\min} 450 mm

Rated isolation voltage:

VI 500 V approx. 25-60 Hz.

Constant current: 10 A

Rated operating current I_u AC 11h
4 A (230V), 2,5 A (380 V),
1A (500 W)

Short circuit resistance:

10 A (slow) 16 A (fast).

Contact gap 2 x 3 mm.

Positive opening travel/force:

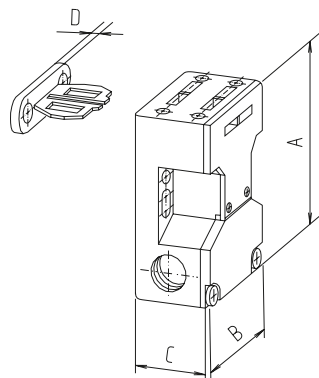
8 mm / approx. 30 N

Mech. lifetime:

10×10^6 switching cycles

Operating temperature:

-30 to +80°C.



Code No.	Type	A	B	C	D
4010610	AZ 15 zvr for sliding door / lifting door	72	52	30	5
4010613	AZ 15 zvr for sliding door	72	52	30	5
4010614	AZ 15 zvr for flap door	72	52	30	5
4015610	Fixing set for sliding door, hinged door	Fig. 1, 2, 3		40 slot geometry	
4015602	Fixing set for lifting door	Fig. 4			

[mm]

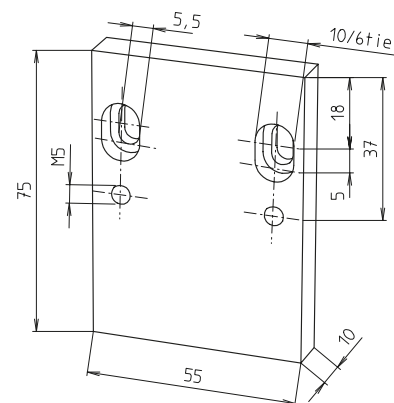
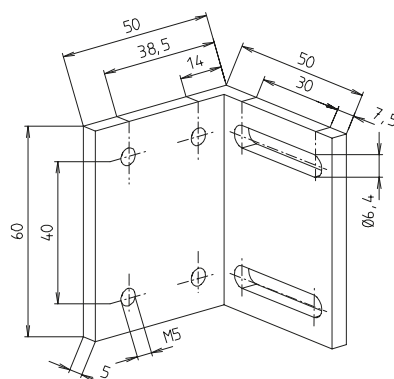
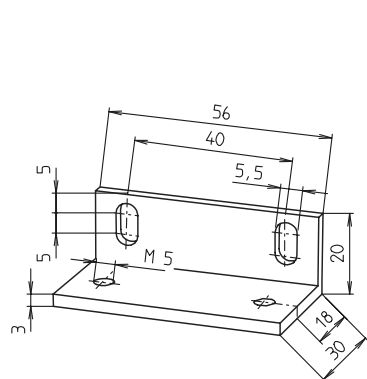
Further fixing sets available on request

Fixing set for sliding and hinged door.

See fig. 1-3 on the next page.

Fixing set for lifting door

See fig. 14 on the next page.



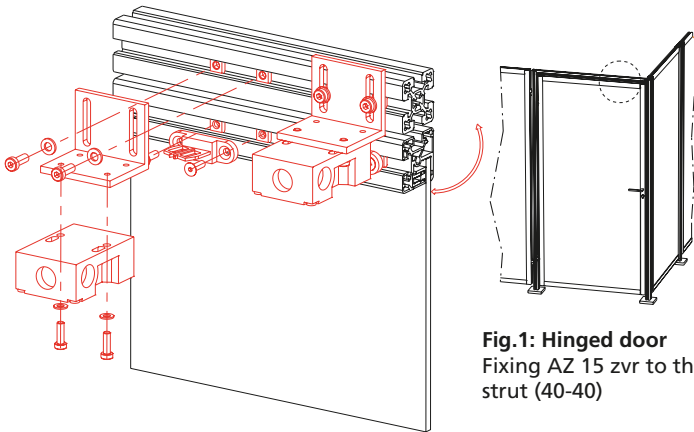


Fig. 1: Hinged door
Fixing AZ 15 zvr to the top strut (40-40)

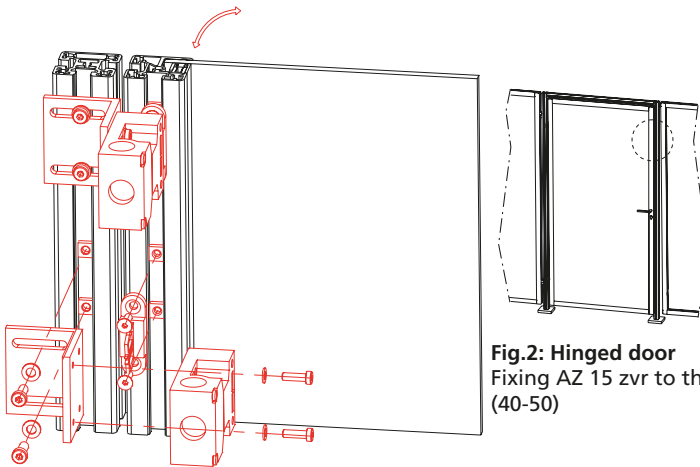


Fig. 2: Hinged door
Fixing AZ 15 zvr to the side strut (40-50)

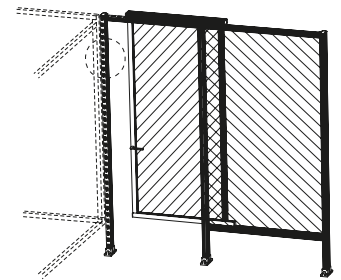


Fig. 3: Sliding door
Fixing AZ 15 zvr to the side strut (50-40)

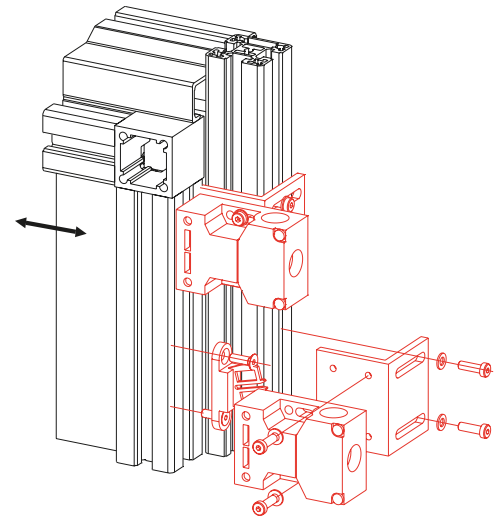


Fig. 4: Lifting door
Fixing AZ 15 zvr to the cross strut (40-40)

Safety switch AZM 161

- For safely switching off circuits. Suitable for hinged, sliding and lifting doors.

Technical data:

Self-extinguishing fibreglass-reinforced thermoplastic.

Degree of protection: IP67 to IEC 529/EN 60529/DIN VDE 0470-1

Contact type: One-pin, double-breaking, positively driven NC to VDE 001, additional contacts for signal purposes

Pivot radius: R_{min} 900 mm

Constant current: 10 A Rated operating current Iu AC 11h 2 A (230 V)

Short circuit resistance: 6 A (slow) as positively driven NC position switch

Contact type: One-pin, double-breaking, positively driven NC to VDE 001, additional contacts for signal purposes

Pivot radius: R_{min} 900 mm

Constant current: 10 A Rated operating current Iu AC 11h 2 A (230 V)

Short circuit resistance: 6 A (slow) as positively driven NC position switch

Positive opening travel/force: 8.8 mm / 10 N

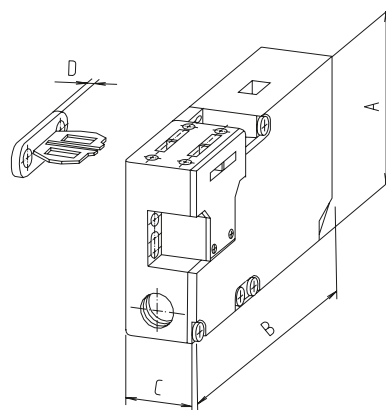
Locking force F_{max} : 2000 N

Mech. lifetime:

10×10^6 switching cycles

Operating temperature:

-25 to +60°C.



Code No.	Type	A	B	C	D
4010615	Switch AZM 161, for sliding door/lifting door/hinged door	90	130	30	5
Available on request*	Fixing set	40 slot geometry			

*Fixing sets available on request depending on the application

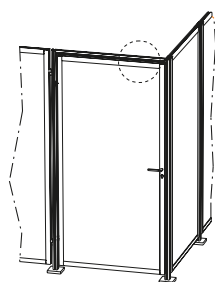
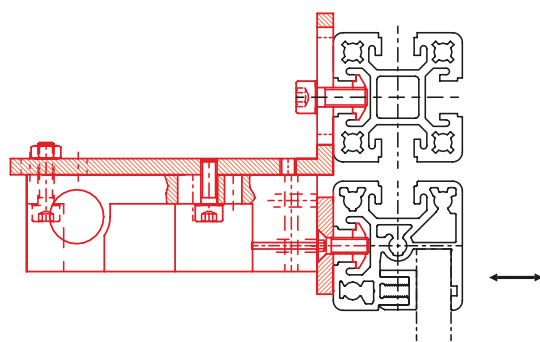


Fig.1: Hinged door
Fixing AZM 161 to the top strut (40-40)

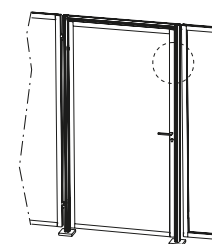
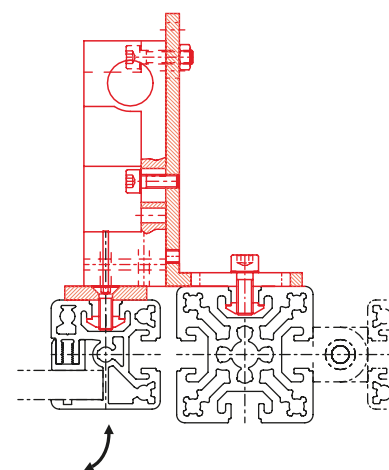


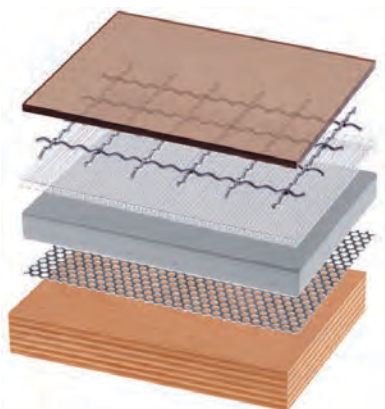
Fig.2: Hinged door
Fixing AZM 161 to the side strut (40-50)

Panels

- For doors, cladding, safety and table tops

Cut to specification

Further panels available on request



Code No.	Type	Thickness	Version	Max. size [m]	Weight [kg/m ²]
4018584	Makrolon	2 mm	Clear	3.05 x 2.05	2.40
4018586	Makrolon	4 mm	Tinted	3.05 x 2.05	4.80
4018576	Makrolon	6 mm	Clear	3.05 x 2.05	8.00
4018579	Makrolon	6 mm	Tinted	3.05 x 2.05	8.00
4018578	Makrolon	10 mm	Clear	3.05 x 2.05	13.00
4018582	Acrylic glass	4 mm	Clear	3.05 x 2.05	4.80
4018583	Acrylic glass	4 mm	Tinted	3.05 x 2.05	4.80
4018595	Acrylic glass	5 mm	Clear	3.05 x 2.05	6.00
4018563	Acrylic glass	5 mm	Blue, transparent	3.05 x 2.05	6.00
4018575	Acrylic glass	6 mm	Clear	3.05 x 2.05	7.20
4012575	Acrylic glass	6 mm	Tinted	3.05 x 2.05	7.20
4018577	Acrylic glass	10 mm	Clear	3.05 x 2.05	13.00
4018580	Acrylic glass	10 mm	Tinted	3.05 x 2.05	13.00
4012576	Trespa	6 mm	Brown	3.05 x 1.53	8.40
4012586	Trespa	6 mm	Silver-grey	3.05 x 1.53	8.40
4012587	Trespa	10 mm	Silver-grey	3.05 x 1.53	13.00
4018570	Koematex	6 mm	White	3.05 x 1.56	4.20
4018571	Koematex	8 mm	White	3.05 x 1.56	5.60
4018572	Koematex	10 mm	White	3.05 x 1.56	6.00
4012579	Multiplex	30 mm	Untreated	2.20 x 1.85	27.00
4015573	Aluminium	2 mm	Clear anodised	2.00 x 1.00	5.40
4012582	Table top	19 mm	Grey plastic-coated, glued edges	2.65 x 2.10	14.70
4012577	Composite	6 mm	Clear anodised	3.05 x 1.50	7.30
4012511	MDF panel	6 mm	Untreated	2.62 x 2.07	8.20
4012512	MDF panel	8 mm	Untreated	2.62 x 2.07	9.20
4016576	Perforated plate	1 mm	Round holes in staggered rows, galvanised steel	1.50 x 3.00	4.30
4016577	Wire mesh 20x20	2.5 mm	Galvanised steel	1.40 x 2.50	2.40
4016578	Wire mesh 30x30	3 mm	Galvanised steel	2.11 x 3.00	3.70
4016579	Wire mesh 40x40	4 mm	Galvanised steel	2.00 x 3.00	4.70

Fax: +49 (0)571 9335-119

Telephone: +49 (0)571 9335-0

E-mail: anfrage.vertrieb@rk-online.de

Company Cust. No.....

Street City

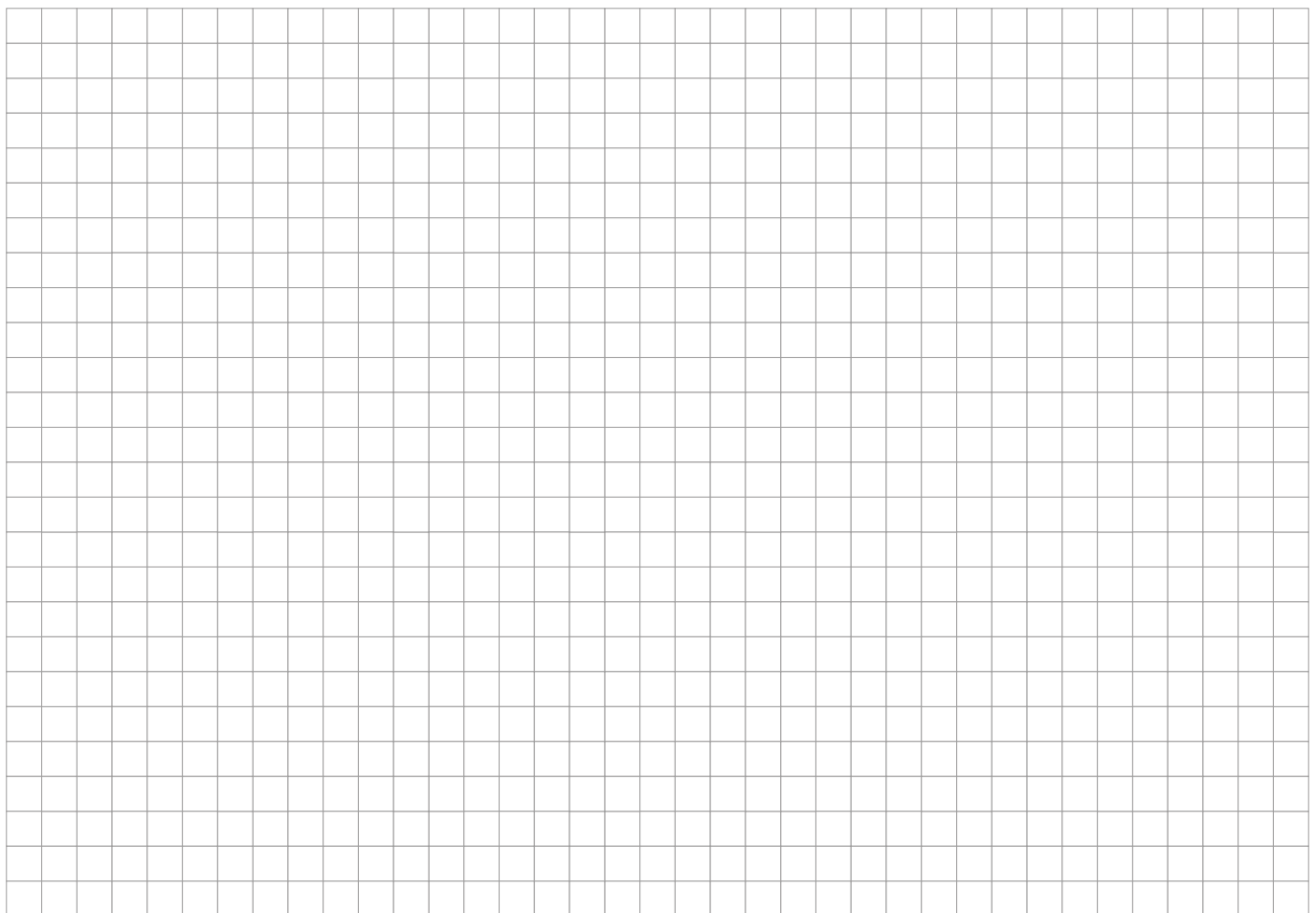
Telephone Fax.....

Contact..... Dept.....

Remarks

.....

Sketch



Safety guard

Protection system

Height details

2200 mm 1600 mm

2000 mm mm

Please give details of the module version, panels and doors in the sketch.

Submission of offer / date:

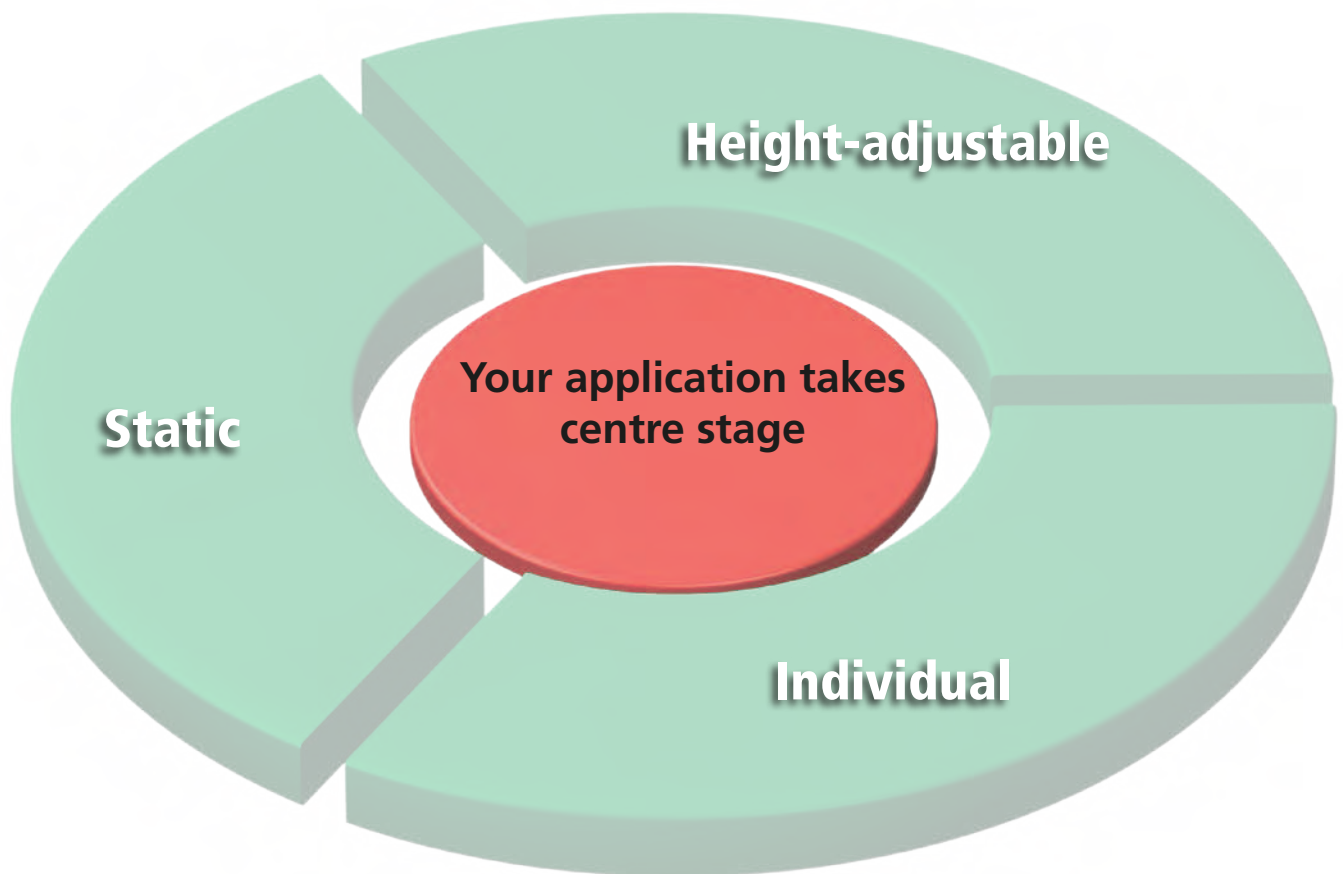
Remarks:

.....

RK Rose+Krieger GmbH • Connecting and positioning systems • Postfach 1564 • 32375 Minden



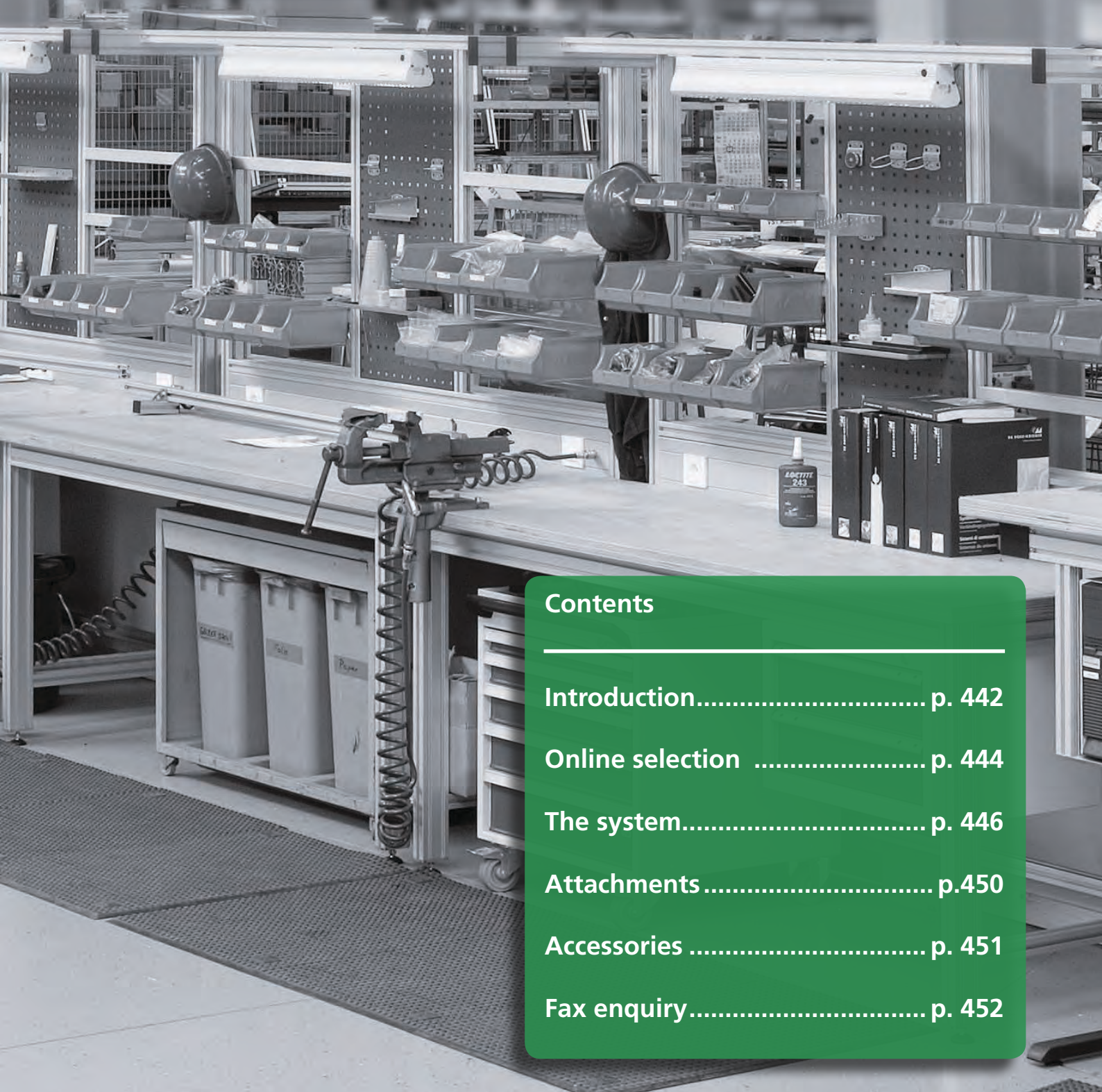
The configurable workstation system was developed to meet ergonomic and task-specific requirements, based on the complete RK Rose+Krieger modular system.



Features:

- ✓ Select the ideal workstation online quickly and easily
- ✓ Two basic types: static and height adjustable
- ✓ Wide range of accessories
- ✓ Send selection enquiry with the click of a mouse





Contents

Introduction..... p. 442

Online selection p. 444

The system..... p. 446

Attachments p.450

Accessories p. 451

Fax enquiry..... p. 452

RK Easywork ***Assembly workstation system***

Selecting work tables online

- With the RK Easywork selection tool, a complete assembly work table can be configured online to meet ergonomic and task-specific requirements.
- Step by step, the selection tool guides you through all of the options on the way to creating your ideal workstation.
- Additional lighting, holders for grab containers, foot rests, standing chairs and ESD accessories are all available, along with other useful devices.
- The RK Easywork workstation system is based on RK Rose+Krieger's complete modular system.
- BLOCAN® Structural profiles made from aluminium and the electrically driven lifting columns offer a perfect combination for the creation of high-quality table concepts.
- Customers can choose between the simplest static tables or electrically height-adjustable work tables and configure their own combinations.
- Ergonomic assembly workstations increase productivity and reduce physical strain.
- Being able to adjust the table height to suit the individual operator minimises physical strain and leads to an appreciable increase in productivity of 5%-15% on average.
- As a rule, the requirements to be met by an assembly workstation are highly diverse. Workpieces of varying sizes, shapes and weights in small and medium batch production, conversions/extensions of the production processes or modern LEAN workplaces demand a flexible system which can be individually configured or modified as necessary.
- Our solution is as individual as your requirements. That is why, in addition to a range of standard tables, we also offer you expert advice and assistance in the implementation of your optimal assembly workstation.



Table of contents

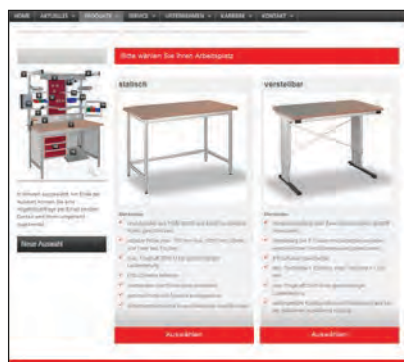
RK Easywork

- Online selection tool..... from p. 444
- Ergonomics from p. 446
- Basic types from p. 448
- Attachments..... from p. 450
- Accessories..... from p. 451
- Fax enquiry from p. 452

Online selection

Step 1:

Select the base frame:
two types available – static and height adjustable



Step 2:

Select the profiles:
4-sided with slots or closed exterior



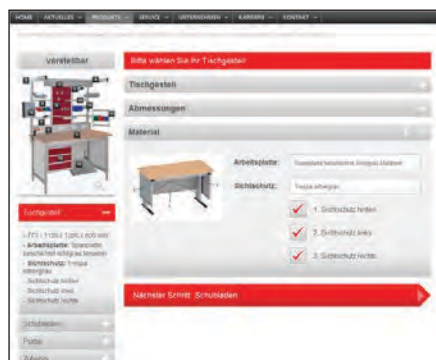
Step 3:

Specify the desired dimensions:
height, width, depth



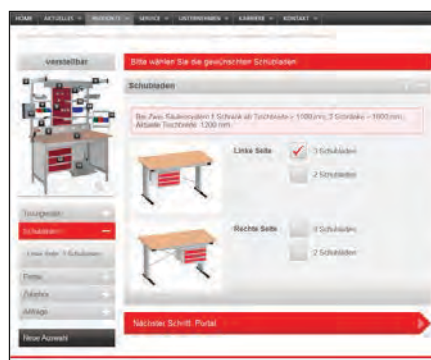
Step 4:

You choose from four different materials and decide whether you need screening.



Step 5:

You now select the number of drawers, if applicable.



Step 6:

If you selected the portal, you will now be asked to specify lighting, energy supply, grab containers and useful accessories.





Step 7:

In the subdivided accessories section, you can select further products and any ESD accessories you need.



Step 8:

Overview of your complete selection



Step 9:

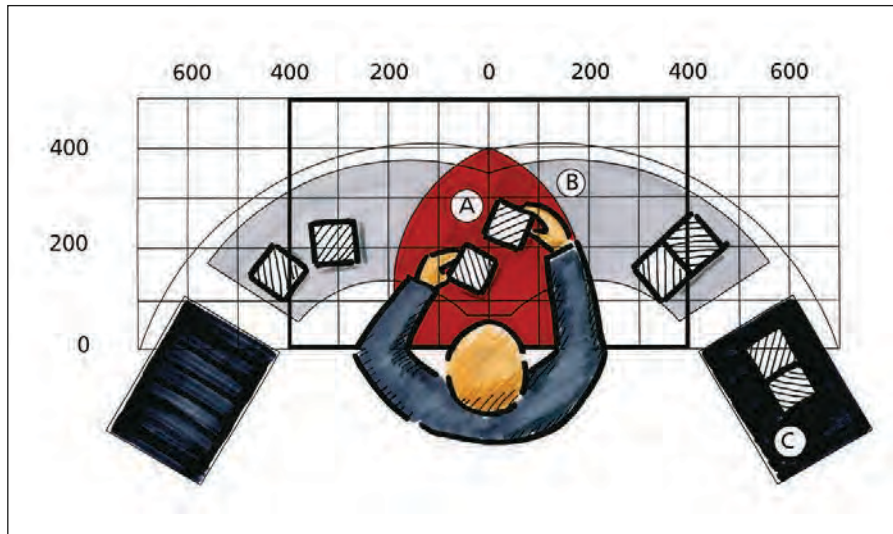
Send off enquiry, done!

You will receive an individual quotation.



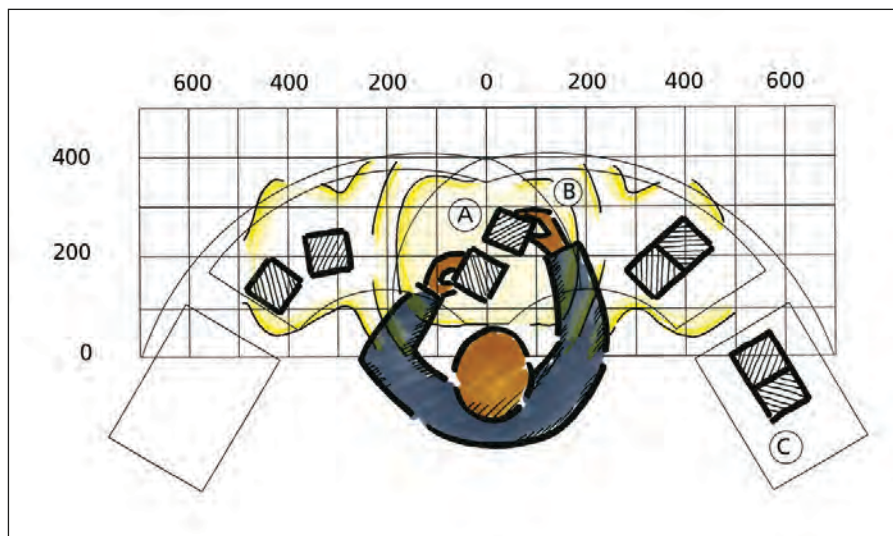
Ergonomics, workstation design

Reach range



- The complex requirements for manual workstations call for close analysis of the range of reach.
- Harmonious motion sequences to protect the joints should be sought.
- The ideal position of the arm from an anatomical point of view is with the upper arm straight down and the forearm pointing forwards and slightly downwards. The hands work approximately level with the stomach.

Workstation lighting



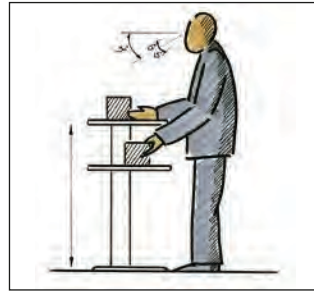
- Targeted workstation lighting is particularly important.
- Glare-free, neutral colours and the reduction of shadows are important criteria for balanced lighting.
- Mirrored grille lights prevent e.g. disturbing reflections and distribute the light very evenly.

ESD protection

- ESD stands for electrostatic discharge and describes the processes and effects of the flow of electricity between two differently charged materials. Voltages can exceed 10,000 V and can thus cause damage to components sensitive to electrostatic charges (e.g. semiconductors).
- To ensure that components sensitive to electrostatic charges (ESDS) are protected, all components must be conductively connected and earthed.

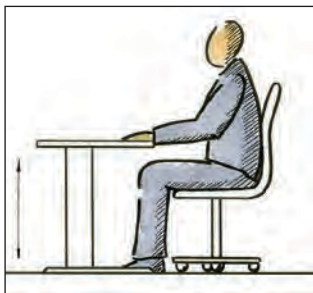


Optimal working height and range of vision



Standing

Upright body | Upper arms straight down | Approximately right angle between upper arm and forearm | Inclination of the head/eyes approximately 30-35°.



Sitting

Upright torso | Straight upper arms | Horizontal forearms | Eyes look down approximately 40° | Horizontal thighs | Vertical lower legs | Feet should be flat on the floor. If not possible, use foot rest.

- In addition to sitting position and standing position, users should be able to choose their working height. Motorised systems in particular offer the convenience of being able to switch between sitting and standing and have a positive effect on our locomotor system and the cardiovascular system.

- Although vision accounts for up to 90% of sensory perception, our range of vision is quite small. As a result, we are compelled to readjust our visual axes by constantly moving our head and eyes. The ideal workstation reduces head and eye movement and prevents unnatural postures.



Static



- Base frame consisting of profile 40x40 and 40x80 (optionally closed slots)
- Variable height (min. 750 mm max. 1250 mm), width and depth of the table
- Max. load-bearing capacity 2500 N given even load distribution
- ESD accessories available
- Choice of table top and screening materials
- Optional portal, which can be configured with accessories
- Various drawer cabinet versions

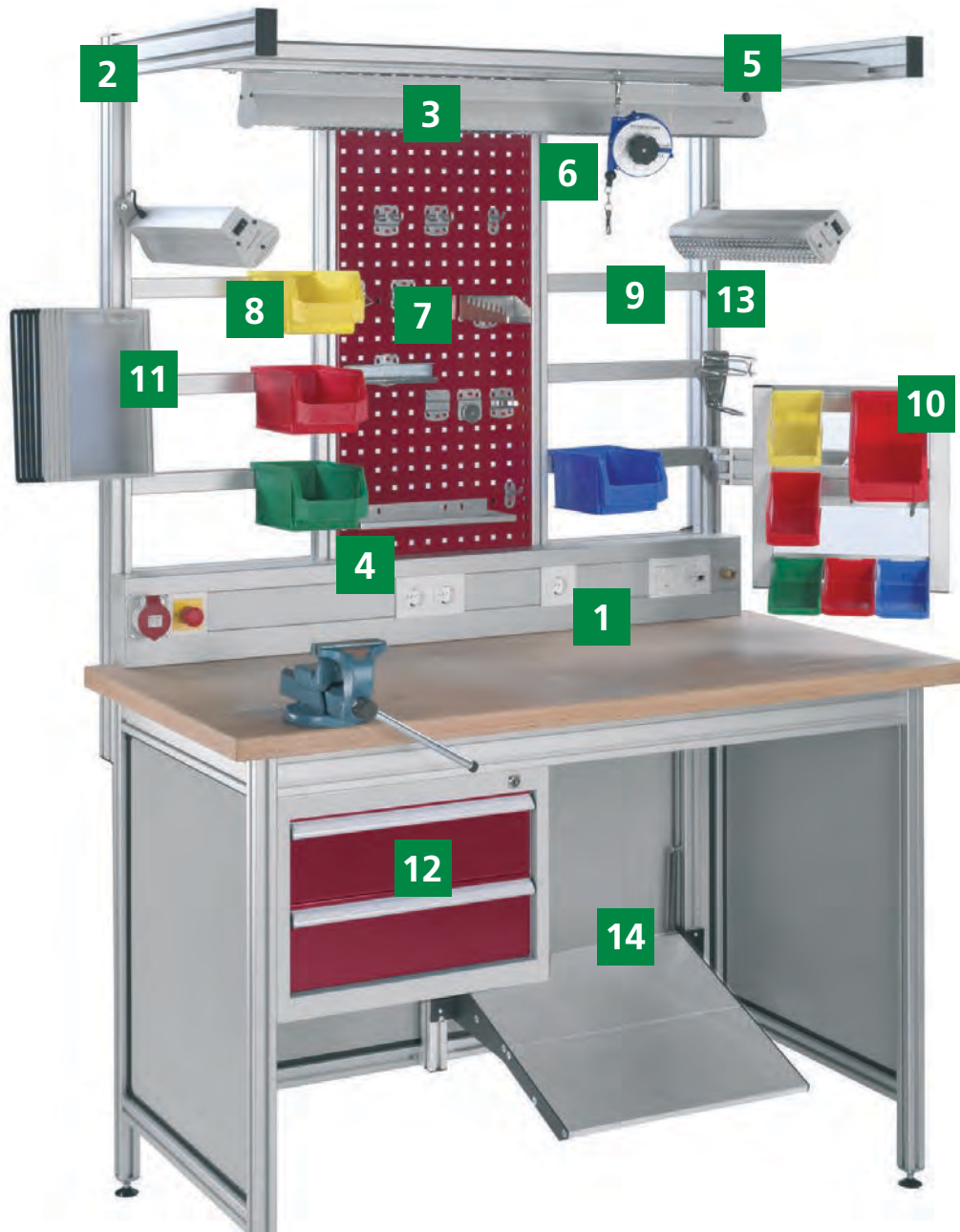
Standard width: 1200, 1600, 2000 mm
Standard depth: 800 mm

Electric height adjustable two-column system



- Height adjustment via two-column system (Multilift lifting columns)
- Adjustment via 6-key hand switch and an electronic Multi-Control synchronous control
- 9 positions can be saved
- Min. table height = 728 mm, max. table height = 1326 mm
max. load-bearing capacity 2000 N given even load distribution
- Wide range of configuration and equipment options, as with the static version

Standard width 1200, 1600, 2000 mm
Standard depth: 800 mm



- | | | |
|-------------------------|---|---------------------------|
| 1 Table top | 6 Balancer | 11 Document holder |
| 2 Portal | 7 Perforated boards/
tool holders | 12 Drawer cabinet |
| 3 System lamp | 8 Grab containers | 13 Drink holder |
| 4 Power supply | 9 Mounting rail/tray level | 14 Foot rest |
| 5 Runner profile | 10 Swivelling material rail | |

Table tops



Portal



System lamps



Power supply



Runner profile



Balancer



Perforated boards



Tool holder



Grab containers



Mounting rail

...for grab containers



Material tray level



material rail

...swivelling



Document holder



Monitor holder



Drawer cabinet



Drink holder



Parallel vice



Slot stones



Foot rest



Sitting/standing aid



ESD accessories

ESD table mat



ESD wristband

...with spiral cable



ESD earthing terminal



ESD earthing strip



ESD earth bonding plug



ESD earth conductor

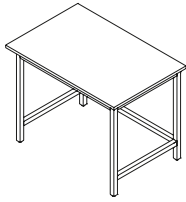


RK Easywork workstation configuration

Enquiry Order

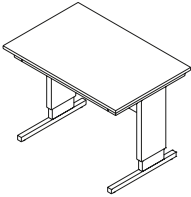
Table version

Height: 750-1250mm
Width: 750-2000mm
Depth: 600-1200mm



Static

Height
 728-1038 mm
 773-1128 mm
 828-1235 mm
 873-1326 mm
Width: 750-2000mm
Depth: 740-1200mm



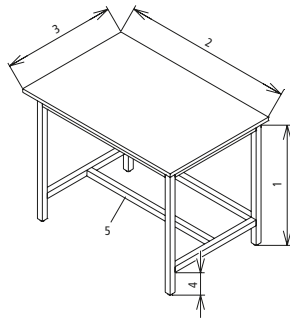
Electric height adjustable two-column system

Table frame

Closed visible sides Slots on 4 sides of the profile

Table dimensions

1. Height _____
2. Width (standard 1200/1600/2000 mm) _____
3. Depth (standard 800 mm) _____
4. Floor clearance with static version (50-300 mm) _____
5. Cross strut (only with static version)

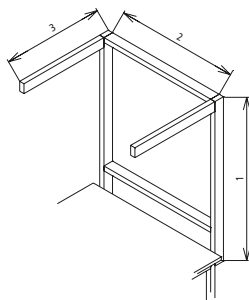


Worktop

- | | |
|---|--|
| <input type="checkbox"/> Light grey laminated particleboard 23 mm | <input type="checkbox"/> Light grey laminated particleboard 22 mm melamine |
| <input type="checkbox"/> Beech multiplex, oiled, 30 mm | <input type="checkbox"/> Beech multiplex, oiled, 40 mm |
| ESD mat | <input type="checkbox"/> 900x610 mm <input type="checkbox"/> 1220x610 mm |

Screening

- Light grey laminated particleboard (melamine) Trespa, silver-grey
 Without panel
 Left Right Back



Portal

1. Portal height (1255-1500 mm) _____
2. Portal width (internal, see sketch) depends on the table width.
3. Portal depth (300-800 mm) _____

Portal accessories

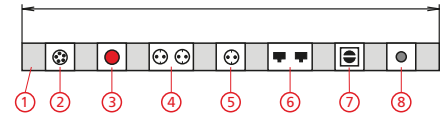
- ___ drink holder(s) ___ universal lamp(s) 230 V
___ swivelling grab container holder(s) 1 rail
___ swivelling grab container holder(s) 3 rails

- Document holder, 10-compartment, DIN A4
 Monitor holder left Monitor holder right

System lamps

- Voltage 230 V (D,F,CH,GB)
 Lamp -centre- Lamp -right/left-
 Extra lamp connectivity (power strip essential)

Power strip



Voltage 230 V (D) 230 V (F) 230 V (CH) 230 V (GB)

1. Energy supply channel _____ mm
 2. Number of power outlets CEE 400 V ____
 3. Emergency off 4. Number of twin power outlets (0-2) ____
 5. Number of single power outlets (0-4) ____
 6. Network outlet RJ 45
 7. On/off switch power outlets
 8. Number of pneumatic conn. (0-2) __ Type NW 7.2

Note: Maximum total load for all sockets 3.4 KW

Tool provision

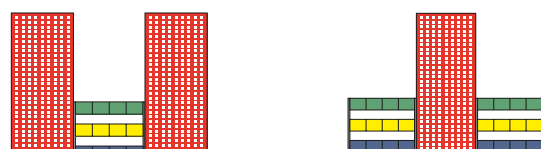
- Runner
 Balancer (only in conjunction with a runner)
Load-bearing range 0.3-1.5 kg 1.5-3.0 kg 3.0-4.0 kg

Grab container on portal

- Rail system Tray level[s]
Rails with perforated panel combination:
 right (as of table width >845 mm) left (as of table width >845 mm)



- Centre (as of table width >1335mm) Right & left (as of table width >1040 mm)



Number of mounting rails (1-3) _____

 ___ grab container(s) 170x100x50 red blue green yellow
 ___ grab container(s) 160x100x75 red blue green yellow
 ___ grab container(s) 230x150x122 red blue green yellow

ESD accessories

 ESD mat 900x610 mm 1220x610mm
 Wristband Spiral cable for wristband
 Central earthing strip Earthing terminal
 Earth bonding plug w. 1.5 m standard cable Earth bonding plug w. 2 m standard cable
 Earth conductor w. 2.4 m spiral cable Earth conductor w. 3 m standard cable

Drawer cabinet
 2 drawers left right
 3 drawers left right

Foot rest
 fixed* adjustable heatable

*Only possible with static table

For static tables: 2 cabinets possible as of table widths >1500 mm

With two-column system 1 cabinet as of table widths >1000 mm; 2 cabinets >1600 mm

With one-column system, no base for standard cabinets possible

Equipment
 Vice mounted _____ mm from the left-hand table edge
 Tool holder w. angled hook-end twin, w. angle hook-ends
 Wrench holder Hexagon socket key holder
 Grab container holder (for one box) Machine holder
 Holder for pliers Magnetic holder
 Shelf plate 350x125 mm

Sitting/standing aid yes no

Sketch/Description:


Company: _____

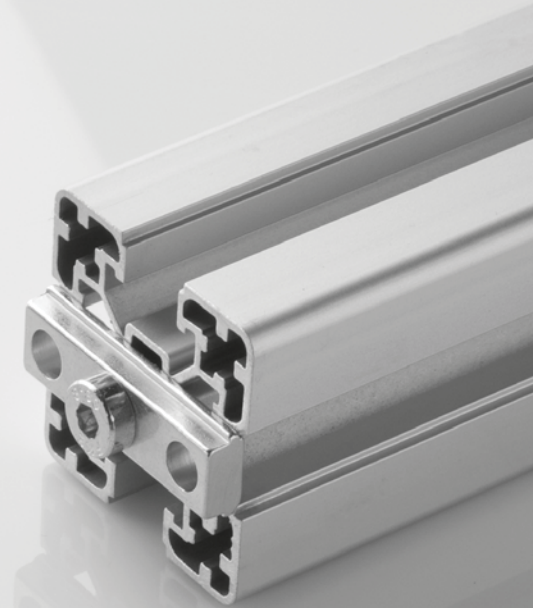
Address: _____

Contact: _____

Telephone: _____ Fax: _____

E-mail: _____

**Enquiries/orders to
RK Rose+Krieger:**
**FAX +49 (0)5 71 9335-139 or
anfrage.vertrieb@rk-online.de**



Contents

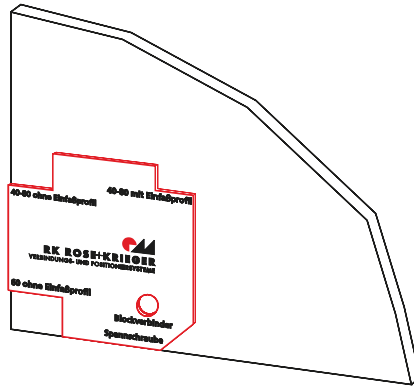
Tools	p. 456
Part Community	p. 464
Fax enquiry	p. 465
Application examples	p. 466
Index	p. 470

Appendix

Marker template for panels

- Marker template for machining panels in hidden bracket and flange bracket connections

Material: White plastic.

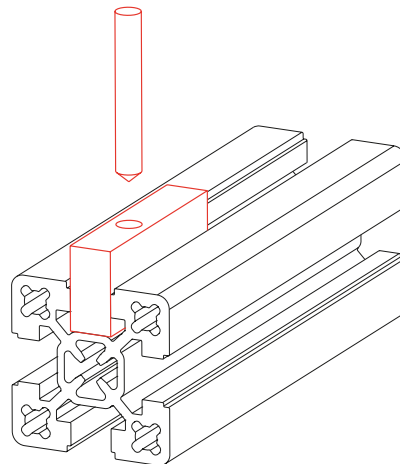


Code No.	Type
4010590	Marker template, profiles/accessories: construction and functional profiles sections

Marking punch for hidden screw and clamping profiles

- Marker aid for drilling holes in the centre of the profile slot. For example, for corner joints for clamping profiles, hidden screw sets, etc.

Material: Galvanised steel, hardened punch point.



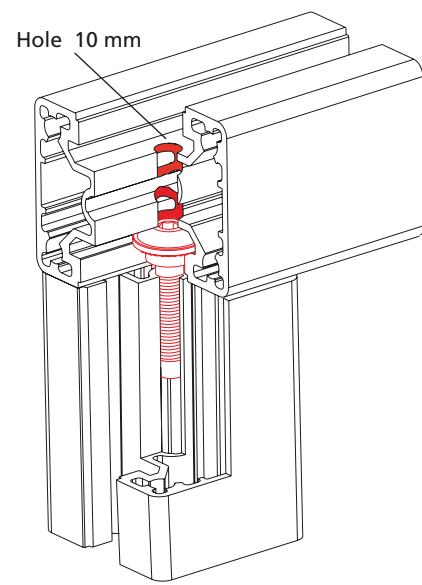
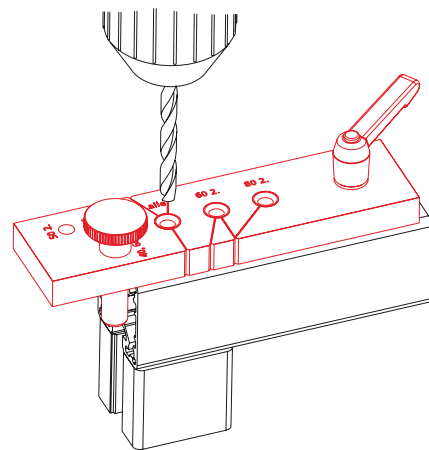
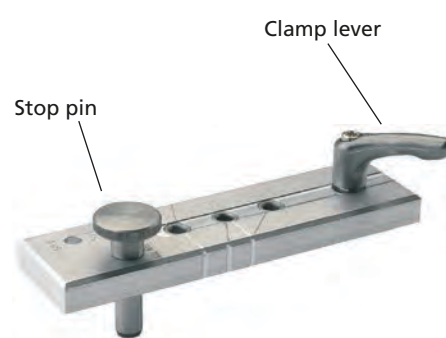
Code No.	Type
4016511	For profiles/accessories in the sections Structural Profiles and Functional Profiles
E01026CEE	For profiles of 20 series in the section Functional Profiles
E03026CEE	For profiles 20x40 in the section Functional Profiles



Drilling fixture for hidden screw -B-

- Fixture for drilling central holes; for example, when using the hidden screw set.
- The individual profile size can be set using the variably adjustable stop pin.
- For profile: 40x40, 40x80, 50x50, 60x60, 80x80

Material: Aluminium



Code No.	Type
4016516	Drilling fixture

Drilling fixture for slot stone -N-

- Often, after the profile construction has been assembled, various accessories have to be mounted. To avoid having to dismantle the profiles (in order to insert the slot stones -N- from the side), a hole is drilled in the centre of the slot. This drilling fixture makes it easier to work on the profiles and to drill accurately.

Includes: Drilling fixture with clamping device and 3-blade countersink \varnothing 20 mm.

Material: Aluminium



Code No.	Type
4016514	Complete drilling fixture

Opening the profile slot

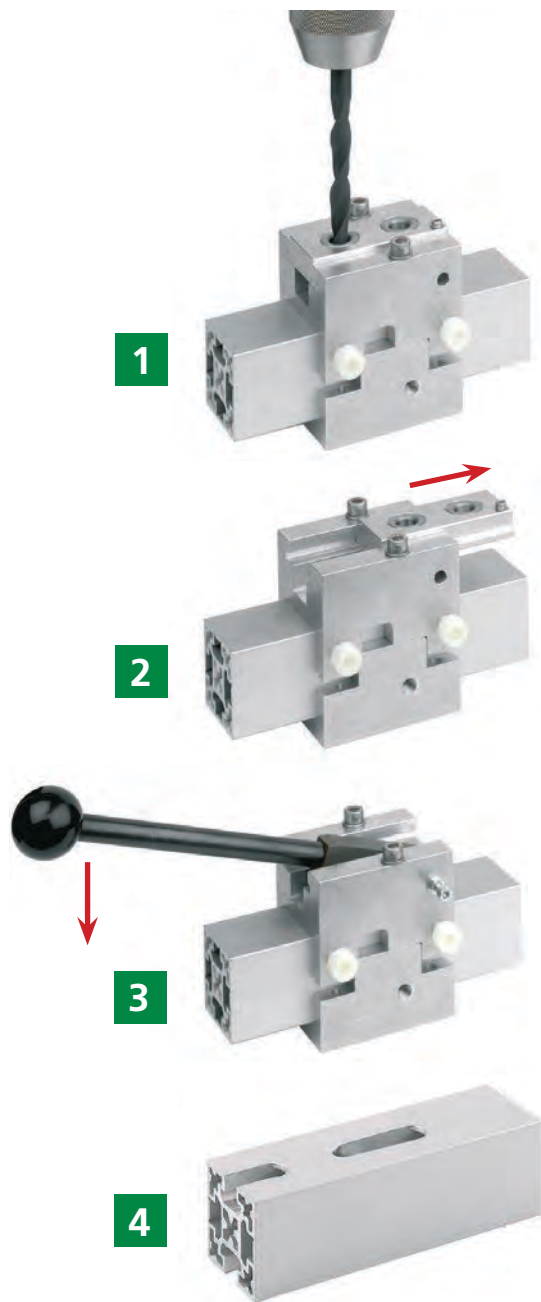
- When designing the G-profiles, great attention was paid to ensuring that the hidden profile slots could be used if necessary.

- This is done by simply pressing out the slot cover, allowing accessories to be mounted or profile connections to be made without any difficulty.

Drill and press for G-profiles

Material:

Vibration finished aluminium



1.) A hole is drilled in the required position at the ends. For mounting accessories, two bushings are provided a set distance apart.

2.) Then the drill guide is removed.

3+4.) The profile slot is pressed out with a punch.

Code No.	Type
4006651	Drill and press 40
4006653	Drill and press 80

Material data / tolerances

Material data

Manufacturing method:	Artificially aged extruded profile
Material:	EN AW 6063 T66
Material number:	3.3206.72
Tensile strength:	245 N/mm ²
0.2% - yield strength:	200 N/mm ²
Elongation at break A:	8%
Elongation at break A50:	6%
Modulus of elasticity:	70000 N/mm ²
Shear modulus:	28000 N/mm ²
Brinell hardness:	Approx. 70 hours
Surface:	Quality P6 C0 (matt pickled and natural anodised)
Anodised layer:	To DIN 17611 Class 10
Anodic hardness	250 HV

Profile tolerances

(on delivery)

Our RK system profiles are manufactured and tested to DIN EN 12020-1 (Technical Conditions for Inspection and Delivery) and DIN EN 12020-2 (Tolerances on Dimensions and Form) and the D-profiles to DIN EN 755-9.

The straightness tolerance is listed in the following table.

In addition to the straightness tolerance H, the maximum permitted deviation h over a length l of 300 mm is 0.3 mm (for D-profiles: 0.6 mm).

As well as the straightness tolerance, wall thickness, evenness and

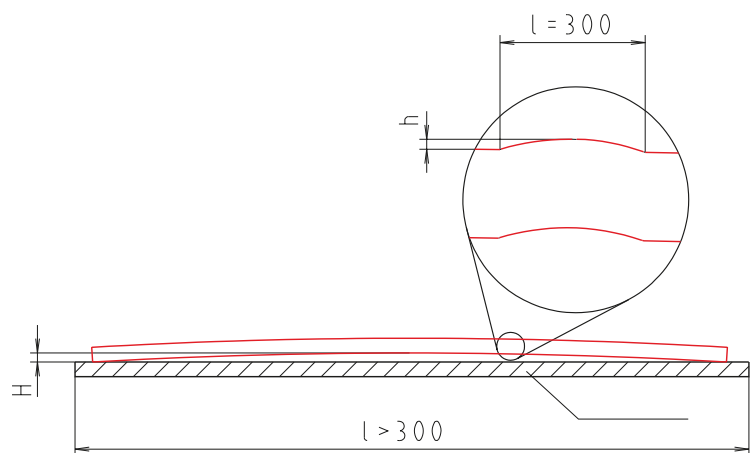
tilting tolerances as well as form deviations are possible based on DIN EN 12020 Part 3 (see the following page also).

However, we would point out that our profiles surpass the DIN standard and generally conform to much tighter tolerances.

Saw cuts are executed with a deviation of $\pm 10'$.

Length tolerance in profile cut lengths: nominal measurement ± 0.1 mm/m.

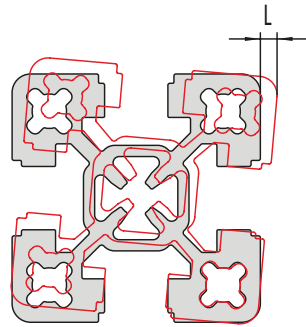
Our 6000/6300 mm long profile bars have an overmeasure of approx. 80 mm. This is required for the anodisation process and can be sawn off by the customer if necessary.



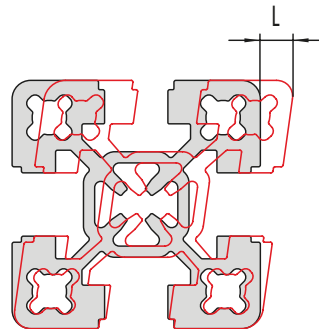
Length [m]	to 1	to 2	to 3	to 4	to 5	to 6
Tolerance H [mm]	0.7	1.3	1.8	2.2	2.6	3.0
D-profile tolerance H [mm]	1.0	2.0	3.0	4.0	5.0	6.0

Profile tolerances

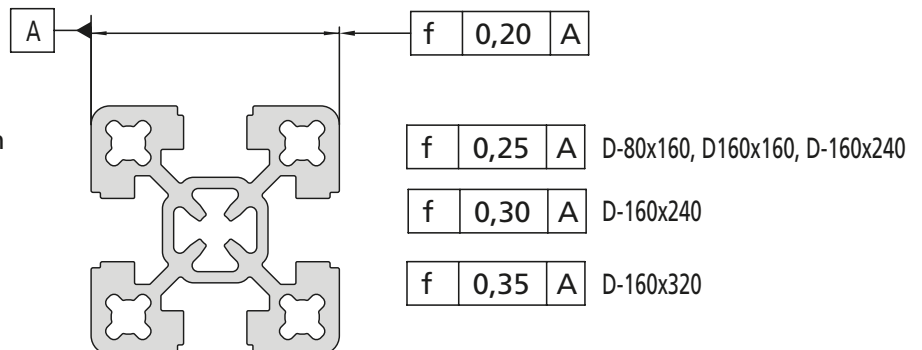
Max. perm. torsion 0.7 mm over 1 m.
D-profiles as of size 80x240: 1 mm over 1 m.



Max. perm. angle tolerance 0.2 mm over 40 mm corresponds to approx. 0.29°.



Maximum deviation from parallelism 0.2 mm.



Profile powder-coating

We offer the option of coating the profiles in the listed RAL colours.

	White aluminium RAL 9006
	Light grey RAL 7035
	Rape yellow RAL 1021
	Traffic red RAL 3020
	Signal blue RAL 5005
	Black RAL 9005

Further RAL colours available on request.

Deflection / twisting angle

Load data

To calculate the deflection of BLOCAN® aluminium profiles in different load scenarios, we must distinguish between 3 different load scenarios:

1. Profile clamped firmly in place at one end
2. Profile placed on bearings at both ends
3. Profile clamped firmly in place at both ends

Before the deflection can be calculated, first the user must determine which of the 3 load scenarios applies.

Then the user can begin calculating the deflection. However, it is possible to work out a missing value by solving the mathematical formulas for the missing variables (e.g. finding out the suitable profile if you know e.g. the max. deflection and forces in play).

As well as bending stiffness, a profile's resistance to torsion within a structure is often highly important.

In the case of high torsion stress, the function of the components

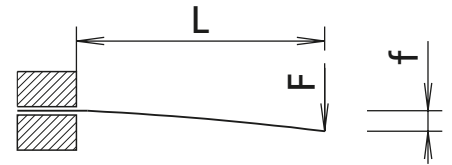
can be greatly compromised by elastic deformation. For this reason, a torsionally stiffer profile should be used well before the permitted shear stress is reached.

Deflection calculation (purely in mathematical terms)

Given: $f = ?$	Deflection
$F = 8000 \text{ N}$	Load
$L = 700 \text{ mm}$	Free length
$I = 11.2 \text{ cm}^4$	Geometric moment of inertia of profile F-40x40
$E = 70000 \text{ N/mm}^2$	Modulus of elasticity for all profiles

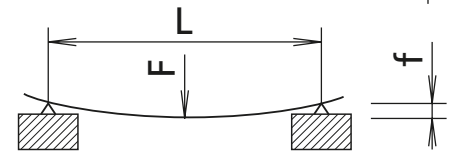
Load scenario 1

$$f = \frac{F \times L^3}{E \times I \times 3 \times 10^4} = \frac{8000 \text{ N} \times 700^3 \text{ mm}^3}{70000 \text{ N/mm}^2 \times 11.2 \text{ cm}^4 \times 3 \times 10^4} = 116.67 \text{ mm}$$



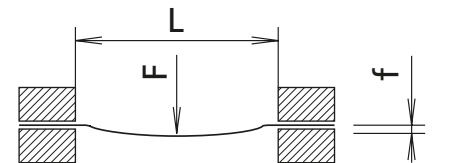
Load scenario 2

$$f = \frac{F \times L^3}{E \times I \times 48 \times 10^4} = \frac{8000 \text{ N} \times 700^3 \text{ mm}^3}{70000 \text{ N/mm}^2 \times 11.2 \text{ cm}^4 \times 48 \times 10^4} = 7.29 \text{ mm}$$



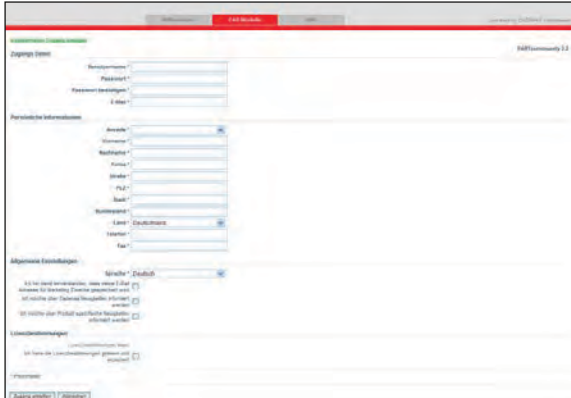
Load scenario 3

$$f = \frac{F \times L^3}{E \times I \times 192 \times 10^4} = \frac{8000 \text{ N} \times 700^3 \text{ mm}^3}{70000 \text{ N/mm}^2 \times 11.2 \text{ cm}^4 \times 192 \times 10^4} = 1.82 \text{ mm}$$



Part Community

Component library



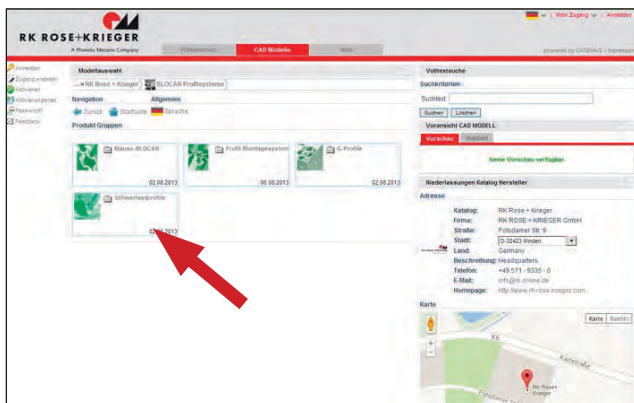
For online access
Enter the required details in the fields marked * to set up your account.

RK Rose+Krieger provides CAD data online (www.rk-online.de, CAD data menu) for you to download free of charge.

Once you set up your account, you can generate the component of your choice in the CAD format required with the click of a mouse.

You can choose to receive your selected CAD models by e-mail or download.

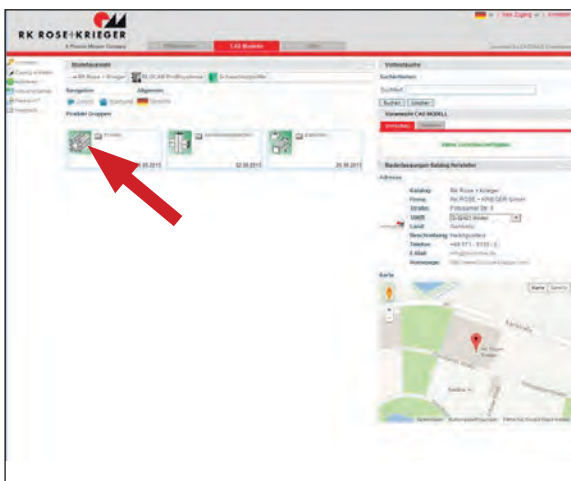
As well as BLOCAN® Profile Technology, Linear Technology, Drive Technology and Connecting Technology are available in neutral and native CAD formats.



Select product segment

Link to our CAD component library:

www.rk-rose-krieger.com/cad



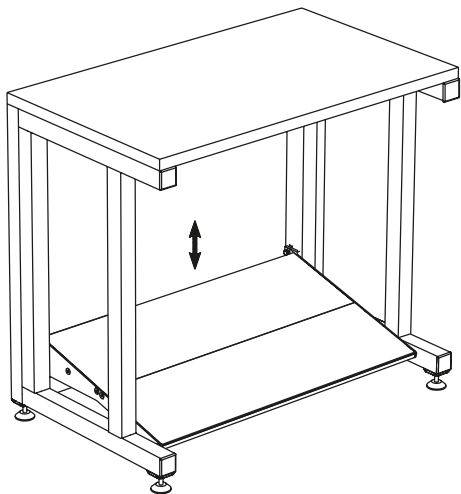
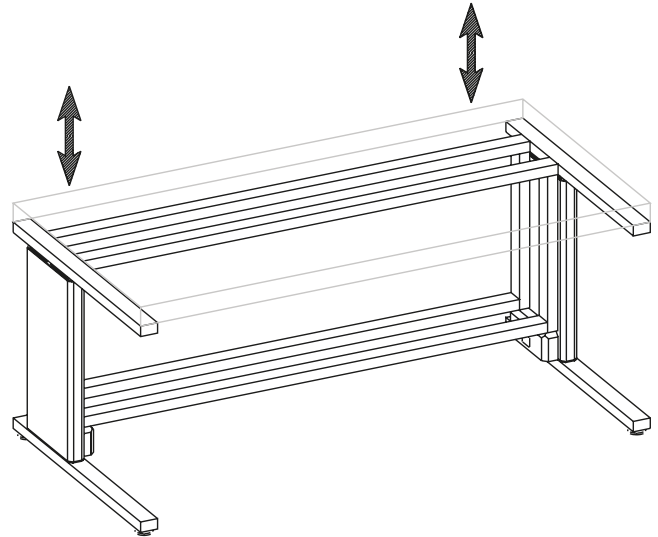
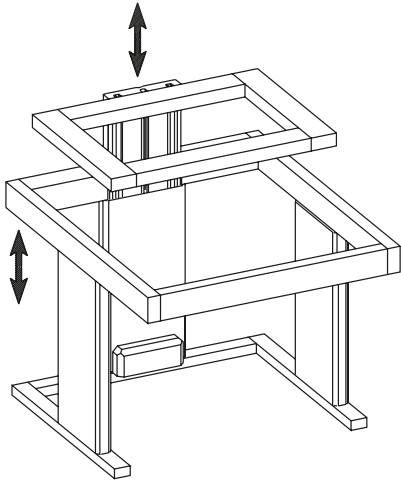
Select and, if required, configure components
(e.g. length, version)



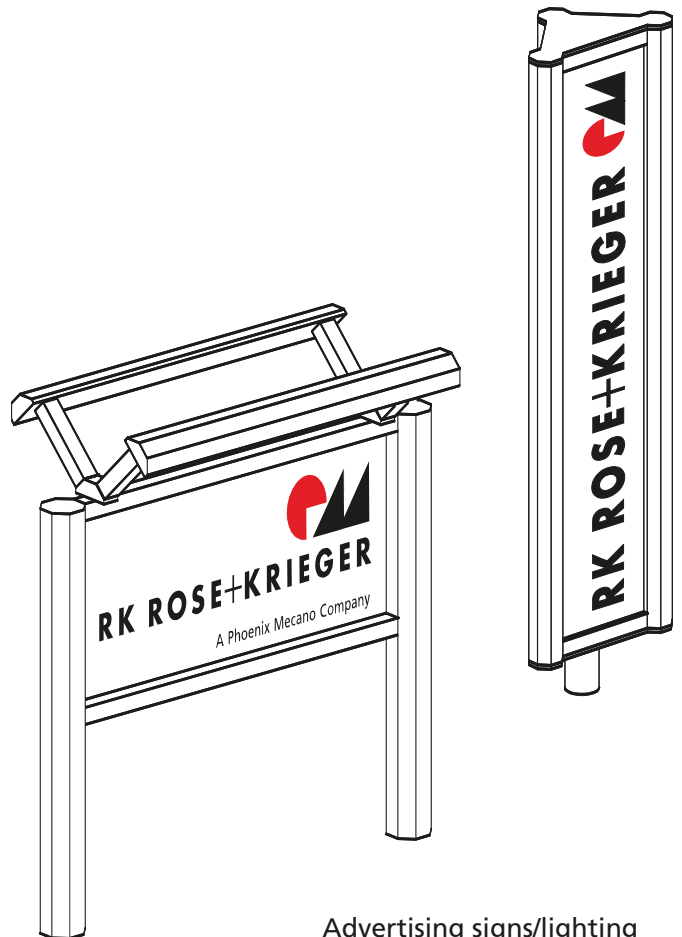
Start download

Application examples

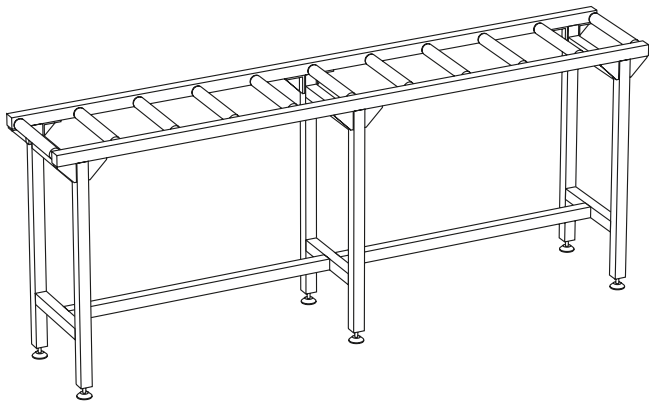
Assembly tables with height-adjustable worktop.
Profile Assembly System frame, Multilift height adjustment (see Linear Technology catalogue).
The Multilift guide profiles are the special profiles 230x37 and 260x48.



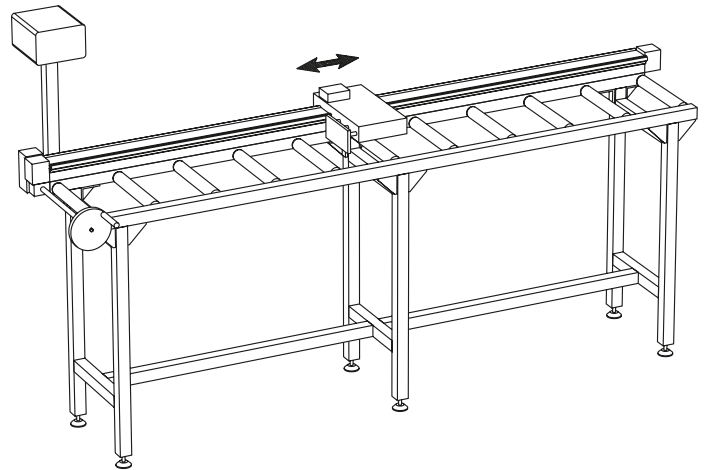
Work table with height adjustable foot rest FSH (see page 134)



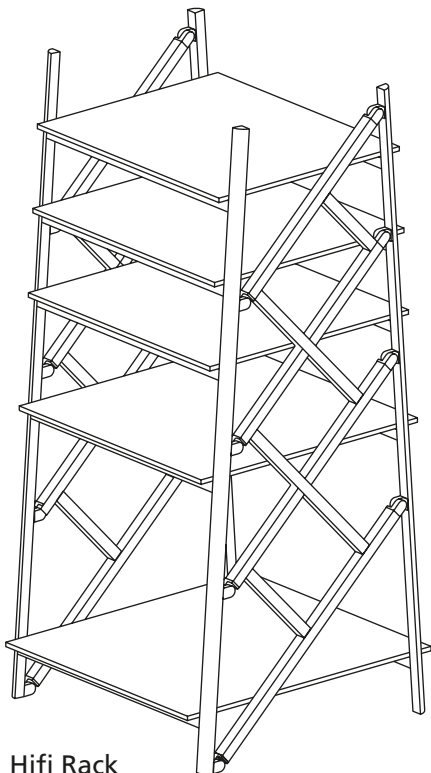
Advertising signs/lighting



Roller conveyor made from Profile Assembly System components



Saw fence combined with roller conveyor.
Option: Handwheel fence adjustment, pneumatic cylinder fence locking, digital length display

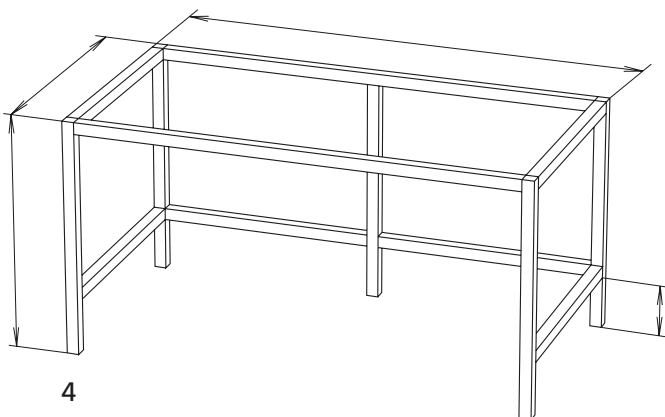
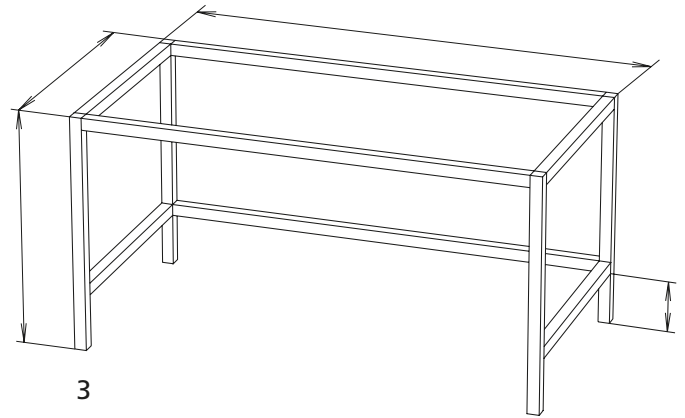
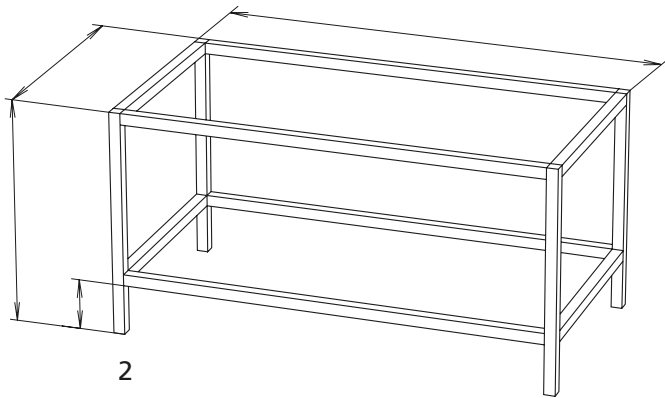
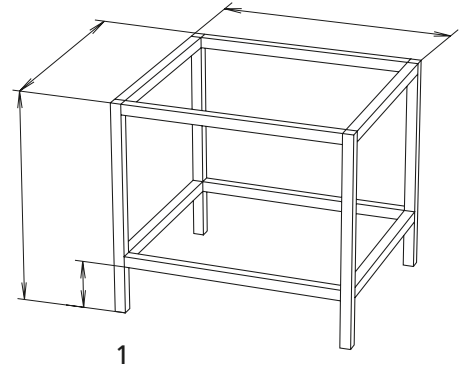


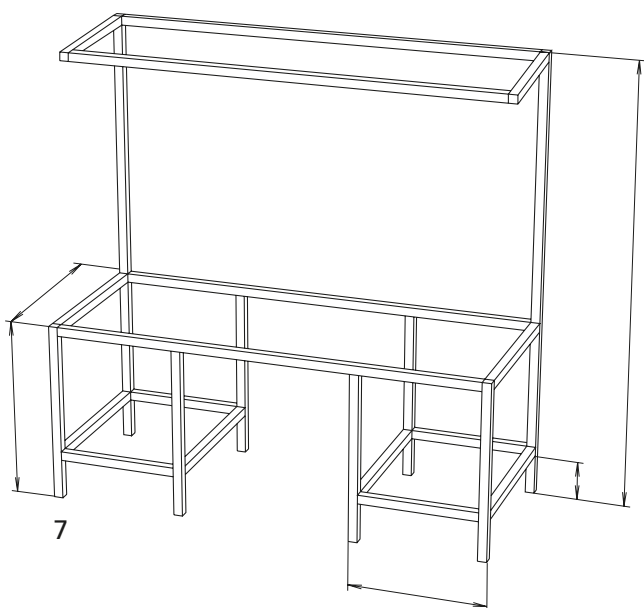
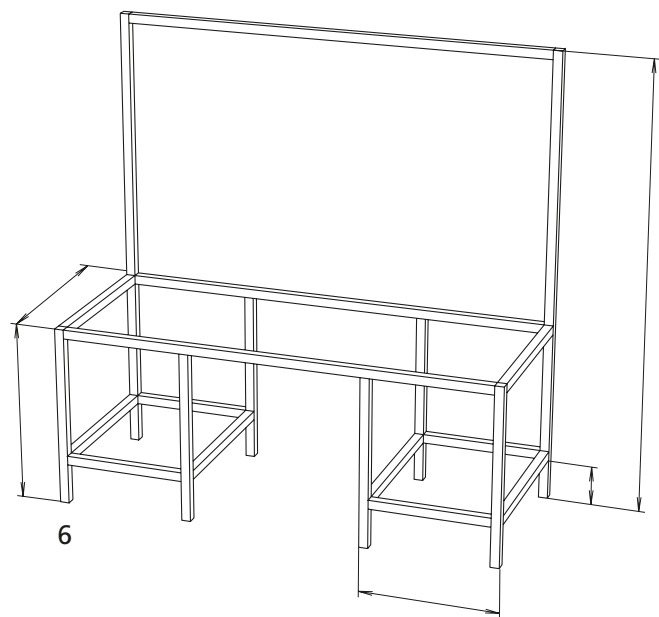
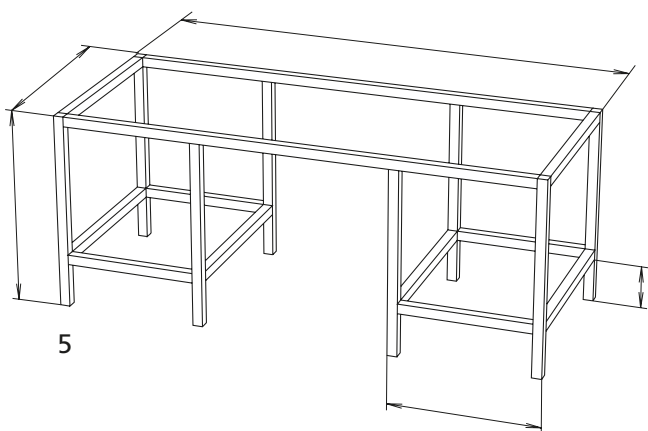
HiFi Rack

Application examples

Work tables

The different work table variants can be used as a template for your fax enquiry.
Please give the desired dimensions, profile cross-sections and panels.
For fax enquiry, please see page 465





- A**
- Adapter slot stone..... 376
 - Angle brackets..... 46, 58, 62, 208, 220, 224, 333, 344, 351, 366, 370
 - Assembly strip..... 156, 161, 318, 323
- B**
- Bar material..... 90, 145, 218, 242, 250, 307, 315, 354
 - Bar material slot stone -N-..... 82
 - Base angle..... 126, 127, 286, 287
 - Base bracket 129, 289
 - Base clamp FVV 130, 290, 420
 - Base plate 120, 128, 387
 - Block joint..... 112, 113, 272, 273
 - Bracing plate 46, 54, 208, 216, 366, 371, 426
 - Butt hinge..... 324, 337
 - Butt hinge -aluminium- 136, 300
 - Butt hinge -plastic-..... 136, 139, 296, 301
- C**
- Cable channel system..... 156–163, 318–323
 - CAD component library 6
 - Call catch..... 136, 142, 296, 304, 429
 - Caps..... 256, 96, 257, 97, 344, 353, 257
 - Choosing a system..... 390
 - Clamp FKV / FV 120, 129, 280, 289
 - Compatibility connector 46, 53, 208, 215
 - Component library..... 464
 - Connecting plate..... 46, 55, 79, 154, 208, 217, 317, 366, 375, 376
 - Connecting plate..... 124, 284, 386
 - Connection element..... 80
 - Connection element -S- 81
 - Connection techniques 25, 47, 65, 69, 77, 167, 235, 359
 - Conveying elements..... 150–155
 - Conveyor drums 152, 312, 314
 - Conveyor rollers 152, 312, 314
 - Corner clamp WV 63, 46, 208, 225
 - Corner joint 422, 423
 - Corner joint for clamping profiles 324
 - Corner joint KL / KLE / KLK / KLA..... 330
 - Corner joint R / GG..... 324, 328
 - Corner piece 106, 108, 266, 268
 - Cover cap 355
 - Cover profile..... 99, 259, 382, 426
 - Cross clamp -KV-..... 64, 67, 230, 233
 - Cross connections..... 230–233
 - Curved BLOCAN profiles..... 19
- D**
- Door gap seal 94, 100, 254, 260, 427
 - Door lock -KL-..... 296, 298, 431
 - Door stopper 136, 144, 296, 306, 430
- E**
- Double profile joint 72, 238
 - Double-winged hinged door..... 405
 - Drilling fixture..... 457
- E**
- Edge protection..... 156, 161, 318, 323
 - End plate..... 98, 258
 - Equipotential bonding..... 156, 161, 318, 323
 - Equipotential bonding cable..... 82, 90, 242, 250
 - Eye bolt 120, 123, 280, 283
- F**
- Face-to-face connections 76–81
 - Fax enquiry 438, 465
 - Fittings 136–149, 296–311
 - Fixed castor..... 120, 133, 280, 293
 - Fixing bolt..... 421
 - Flange bracket adapter..... 324
 - Flange bracket connection 46, 48, 208
 - Flange bracket M-BLOCAN..... 324
 - Flange brackets 50, 212
 - Foot..... 120–135, 280–295, 343, 352
 - Foot rest..... 445, 447, 449, 451
 - Foot rest FSH..... 120, 134, 280, 294
 - Frame corner joint..... 110, 270
 - Frame joint 70, 236
 - Frame profiles..... 17, 102, 110, 166, 190, 196, 270
 - Framing profile..... 106, 266, 108
 - Framing profile..... 109, 269
 - Functional profiles 9, 16, 164–207
- G**
- G-connectors..... 348
 - Grommet..... 160, 322
- H**
- Handle..... 136, 144, 145, 296, 306, 307, 324, 336, 344, 354, 430
 - Handle profile 136, 145, 296, 307
 - Handrail 145, 296, 307
 - Heavy duty profiles 9, 18, 356–387
 - Hidden bracket..... 110, 270
 - Hidden screw set -B-..... 46, 52, 208
 - Hinged door 147, 309, 404, 435
 - Hinges 2-tlg./3-tlg..... 353
- K**
- Keyed clamp connector -P- 78, 373
 - Keyed clamp connector -Q- 64, 66, 232, 370
- L**



Levelling foot 120, 123, 280, 283, 344, 352, 376, 384, 385
 Lever cylinder lock..... 136, 142, 296, 304
 Lift off hinge -plastic- 136, 141, 296, 303
 Lifting door..... 407
 Loft off hinge -aluminium-..... 136, 140, 302

M

Magnetic lock 136, 143, 296, 305, 324, 337, 344, 354, 429
 Marker template 456
 Material data..... 460
 Membrane grommet..... 156, 318
 Mitre joint -L- 78
 Mitre joint -transversal- 64, 66, 232, 324
 Mitre joint -W1-/-W2-..... 68, 73, 234, 239
 Modular system 396-407

O

Opening of the profile slot..... 349, 459

P

Panel 401
 Panels 102-119, 324
 Parallel connections 77, 373
 Part Community 464
 Phoenix Mecano..... 4
 Pillar 398, 419
 Pneumatic connecting plate..... 150, 154, 312, 317
 Pneumatic connection 150, 155, 312, 317
 Pneumatics..... 150, 312
 Press mount connector 366
 Profile angle bracket..... 46, 208, 218, 324, 332
 Profile covers 94-100, 254-260
 Profile hinge 68, 72, 234, 238, 324, 336
 Profile hinge -E-..... 71, 234, 237
 Profile seal 102, 111, 262, 271, 425
 Profiles 28, 32, 36, 38, 40, 44

Q

Quick cable bracket..... 102, 116, 262, 276

R

Right-angle connections 226-229
 Rim 94, 100, 254, 260, 427
 RK Easywork 21, 452
 RK website 6
 Roller carriage 150, 312, 316, 431
 Roller module 432

S

Safety distances 392
 Safety guards..... 9, 20
 Safety switch..... 136, 146, 148, 296, 308, 310, 434, 436
 Sliding door 406
 Screws 82-93, 242-253, 324
 Selection aid 9
 Self tapping screw..... 161, 323
 Separating strip 318, 323
 Sliding piece 150, 153, 312, 315
 Sliding door profile..... 262, 278, 324, 339, 417
 Slot geometry 26, 168
 Slot stone -B- / PLM 324
 Slot stone -L/E- II..... 52
 Slot stones and screws 82-93, 244-253
 Special profiles 17, 166, 202, 204
 Spring strips 160, 322
 Steel swivel 68, 74, 234, 240
 Steering roller..... 120, 132, 280, 292
 Structural profiles..... 22-45
 Support 421
 Supporting/Levelling shims..... 130, 290, 400
 Suspended sliding block 82, 92, 242, 252

T

T-head bolt 82, 84, 242, 244
 Tools 456-459
 Tube clamp 102, 117, 262

V

Vario-Quick 102, 114, 115, 116, 324
 Visible profiles 16, 166, 172, 176, 182, 186, 188

Whilst every effort has been made to ensure that the information in this catalogue was correct at the time of publication, no responsibility can be accepted for any errors or omissions. This catalogue supersedes all previous catalogues. In the interest of further technical development, we reserve the right to make modifications without prior notice. You can download all the latest catalogue data at our web site.